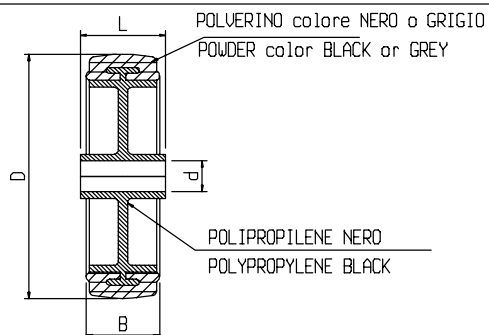
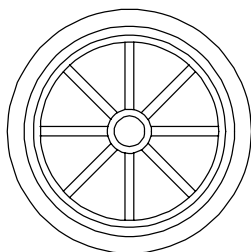


RUOTE SERIE Pd CON BATTISTRADA IN POLVERINO SINTERIZZATO
WHEELS SERIES Pd WITH SINTERED POWDER TREAD

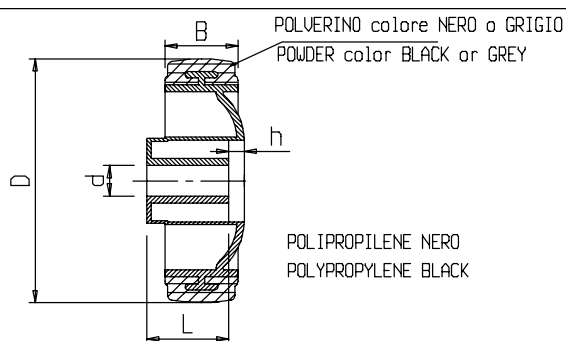
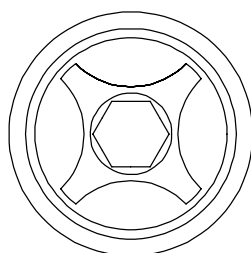
SERIE SL
SERIE SM



ITEM	D	d	L	B	PORTATA DINAMICA DYNAMIC LOAD CAPACITY	PORTATA STATICA STATIC LOAD CAPACITY	PESO gr. WEIGHT
Pd/SL/125	125	10	35	30	50	75	183
Pd/SL/150	150	12-13 15-16	40	30	60	90	240
Pd/SL/160	160	20	44	40	70	105	280
Pd/SL/175	175	15-16	45	40	80	120	498
SMX/175	175	15-16	53	45	80	135	530
SMX/200	200	15-16	53	45	80	135	665
Pd/SM/80	80	10	35	28	60	90	92
Pd/SM/90	90	10	35	28	60	90	127
Pd/SM/100	100	8-10	35	28	60	90	120
Pd/SM/125	125	12-15-16	40	35	70	105	218
Pd/SM/150	150	12-15	40	38	80	120	342
Pd/SM/175	175	14-20	57	45	90	135	530
Pd/SM/200	200	14-20	57	45	100	150	720
Pd/SM/230	230	14-20	57	45	120	180	880
Pd/SM/250	250	14-20	57	50	120	180	1220

RUOTE SERIE Pd CON BATTISTRADA IN POLVERINO SINTERIZZATO
WHEELS SERIES Pd WITH SINTERED POWDER TREAD

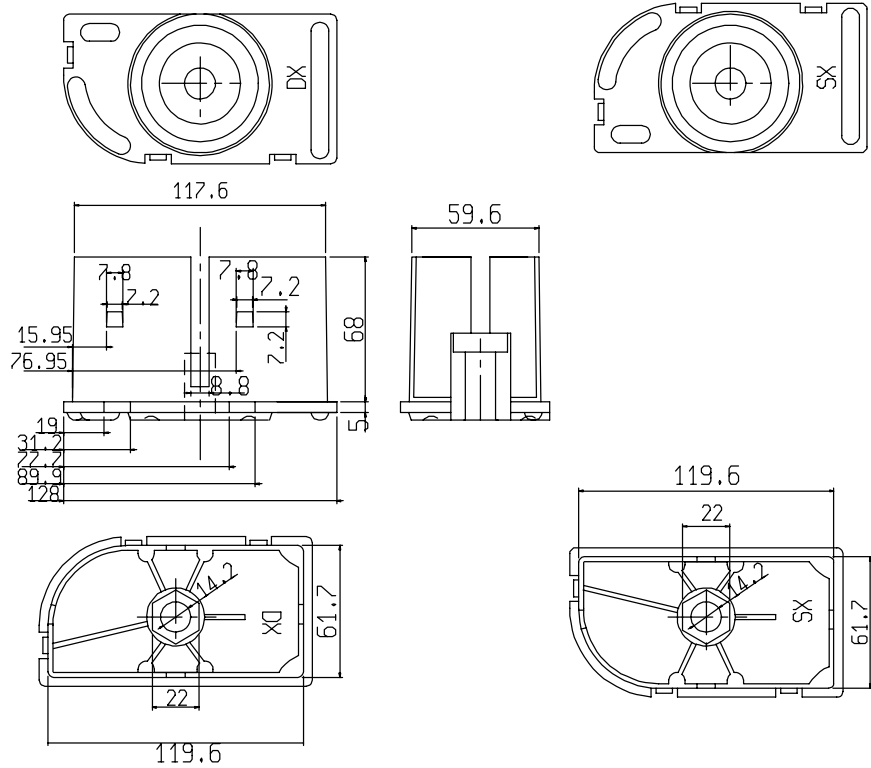
SERIE SR



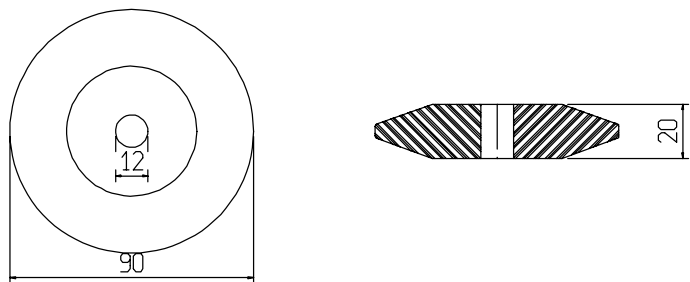
ITEM	D	d	L	B	h	PORTATA DINAMICA DYNAMIC LOAD CAPACITY	PORTATA STATICA STATIC LOAD CAPACITY	PESO gr. WEIGHT
Pd/SR/125	125	12-15-16	40	35	6	50	90	184
Pd/SR/150	150	10-12 15-16	40	40	6	70	105	300
Pd/SR/175	175	14-20	47	45	10	90	135	500
Pd/SR/200	200	14-15 16-20	47	50	10	100	150	640
Pd/SR/250	250	14-20-25	57	60	10	120	180	1265

ACCESSORI ACCESSORIES

PIEDI PER CONTENITORI - FEET FOR CONTAINERS



PARACOLPI - BUFFER



ITEM	D	PESO gr. WEIGHT
-	-	-
-	-	-
-	-	-
-	-	-
-	-	-