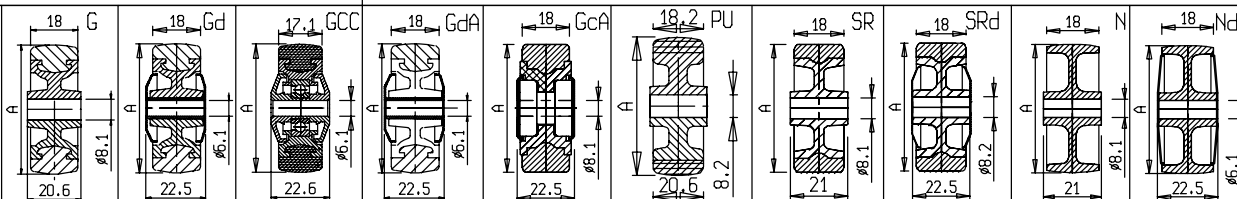


Ruote Adottate per Serie ML nelle varie tipologie di Diametri, Battistrada.
Wheels used for ML series in the various types of diameters and tyres.

Ruota tipo Wheel type	G	Gd	GCC	GdA	GcA	PU	SR	SRd	N	Nd
Catteristiche del Battistrada Tyre characteristics	Gomma Grigia Grey Rubber		Anello Gomma Grigia Grey Rubber Ring	Anello Gomma Conduttiva Nera Conductive Black Rubber Ring		Poliuretano Colore Arancio Orange Color	Gomma Sintetica Synthetic Rubber		Ruota Monolitica Nylon Nero Black Nylon Monolithic Wheel	
Durezza del Battistrada conforme UNI EN 12527 Tyre hardness in compliance with UNI EN 12527	76		76	76	85	85	Shore A 85		>100	>100
Temperature di Utilizzo Raccomandate Recommended working temperatures	Max: +70°C Min: -30°C		+70°C -30°C	+70°C -30°C	+40°C -5°C	+40°C -5°C	+40°C -5°C	+60°C -10°C	+40°C 0°C	+40°C 0°C
Catteristiche del Nucleo Wheel centre characteristics	Polipropilene Nero Black Polypropylene		Nylon Nero Black Nylon	Nylon Nero Conduttivo Conductive Black Nylon		Nylon Bianco White Nylon	Polipropilene Grigio Grey Polypropylene			
Catteristiche del Mozzo Hub characteristics	Foro Liscio Plain Bearing	Tubo Parafilo Tube Threadguard	Cuscinetto a Sfera Parafilo Ball Bearing Threadguard	Foro Liscio Plain Bearing	Cuscinetto a Sfera Parafilo Ball Bearing Threadguard	Foro Liscio Plain Bearing	Foro Liscio Plain Bearing	Tubo Parafilo Tube Threadguard	Foro Liscio Plain Bearing	Tubo Parafilo Tube Threadguard

Portata Dinamica conforme UNI EN 12527
Dynamic load capacity conform UNI EN 12527 D Resistenza al Rotolamento (FR) alla Portata Nominale FR $\frac{W}{G}$ = Peso per 1 pezzo
Rolling resistance (FR) at rated capacity $\frac{W}{G}$ = Weight for a piece

Portata Statica conforme UNI EN 12527
Static load capacity conform UNI EN 12527 S Resistenza al Superamento Ostacolo (FO) alla Portata Nominale H ostacolo=1% ϕ della Ruota Min 0.5 mm FO
Obstacle overcoming resistance (FO) at rated capacity Obstacle H=1% of wheel, min.0.5 mm



ITEM	50LG	50LGd	50LGCC	50LGdA	50LGcA	50LPU	50LSR	50LSRd	50LN	50LNd
A	50	50	50	50	50	50	50	50	50	50
D	30	30	40	40	40	80	30	30	60	60
S	45	45	60	60	60	120	45	45	90	90
FR	2.7	2.7	2.7	2.7	2.7	2.7	1.5	1.5	1.4	1.4
FO	4.0	4.0	4.0	4.0	4.0	4.0	4.5	4.5	6.0	6.0
W	31	41	42	45	74	30	20	32	17	33
ITEM	60LG								60LN	60LNd
A	60								60	60
D	32								32	32
S	45								45	45
FR	2,45								1,37	1.37
FO	4,0								6,0	6
W	60								25	43

Assali, Cuscinetto e Parafili per Ruote Serie ML

Axles, Bearings and thread guards for wheels of the ML series

Raccomandazione Adozione Assali per le varie tipologie di Ruote

Recommendation for the adoption of axles in the different types of wheels

L/G	L/Gd-GdA	L/GCC	L/GcA	L/PU	L/SR	L/SRd	L/N	L/Nd
ITEM 62 291	ITEM 78 291	ITEM 78 291	ITEM 77 291	ITEM 62 291	ITEM 62 291	ITEM 78 291	ITEM 55 -	ITEM 73 -
ITEM 55 -	ITEM 73 -	ITEM 73 -	ITEM - -	ITEM 55 -	ITEM 55 -	ITEM 73 -	ITEM 62 291	ITEM 78 291
	ITEM 980 -	ITEM - -	ITEM - -		ITEM - -	ITEM 980 -	ITEM - -	ITEM 980 -
ITEM 62 13	ASSE VITE (624/RID) SCREW AXLE (624/RID)	ITEM 78 9	ASSE RID/M6x30 SCREW RID/M6x30	ITEM 291 2	M6 M6	ITEM 599 15	CUSCINETTO L 8x22x10.3 a sfera per ruote: 50LGc	ITEM 73 -
							BALL BEARING L 8x22x10.3 for wheels: 50LGc	
ITEM 55 11	ASSE RIB (4050/ASR) RIVETED AXLE (4050/ASR)	ITEM 73 7	ASSE RIB ASS/M6x28 RIVETED AXLE ASS/M6x28	ITEM 980 4	TUBINO 8x1x22 TUBE 8x1x22			
ITEM 391 2	PARAFILI per RUOTE 50LGdA THREADGUARDS for WHEELS 50LGdA	ITEM 362 2	PARAFILI per RUOTE 50LGd THREADGUARDS for WHEELS 50LGd	ITEM 400 2	PARAFILI per RUOTE 60LNd THREADGUARDS for WHEELS 60LNd			
ITEM 377 1.20	PARAFILI NYLON GRIS per RUOTE 50LGCC GREY NYLON THREADGUARD for WHEELS 50LGCC	ITEM 391 395	PARAFILI per RUOTE 50LGcA THREADGUARDS for WHEELS 50LGcA					
ITEM 363 2	PARAFILI per RUOTE 50LSRd THREADGUARDS for WHEELS 50LSRd	ITEM 396 6	PARAFILI per RUOTE 50LNd THREADGUARDS for WHEELS 50LNd					

= Peso per 1 pezzo
 = Weight for a piece

Gamma di Fissaggi Standard per Supporti Serie ML MLFT

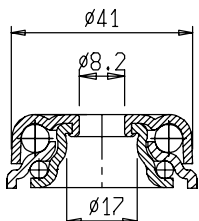
Range of standard fixings for forks of the ML and MLFT series

A Foro Passante $\varnothing 8.2$
per Vite di Fissaggio Imbus M10x25 (*)
With bolt hole of $\varnothing 8.2$ for fixing
screw IMBUS M10x25 (*)

A Foro Passante $\varnothing 10.2$
per Vite di Fissaggio Imbus M10x25 (*)
With bolt hole of $\varnothing 10.2$ for fixing
screw IMBUS M10x25 (*)

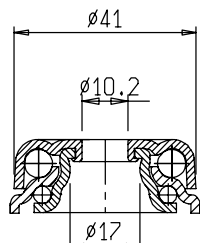
A Perno Filettato Rivettato eo Vite Imbus fissata
Dimensioni da tabella da Specificare sempre all' Ordine
With riveted thread stem, and/or fixed Imbus screw
dimensions as per table to be specified when placing order

B8



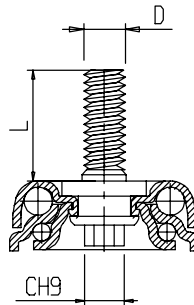
* Lunghezza della Vite Inseribile
con Ruota Assemblata
* Length of screw that can be inserted
in the assembled wheel

B10



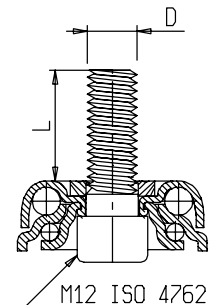
* Lunghezza della Vite Inseribile
con Ruota Assemblata
* Length of screw that can be inserted
in the assembled wheel

F



D	M10	M12
L	15-20-25-30	15-25

F



D	M12
L	9-13-18-23-28-33-38-43-53

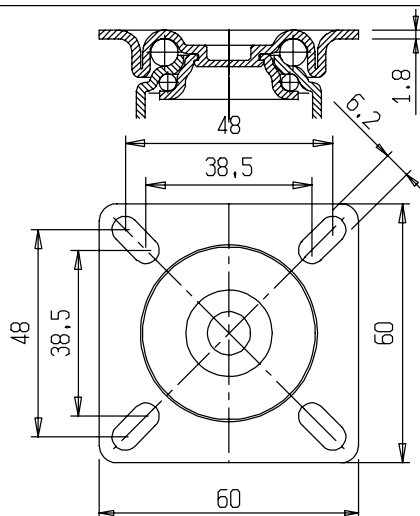
Fissaggio a Piastra Integrale PI 60X60

Integral Plate fixing PI 60x60

Fissaggio a Piastra Integrale P7 68.5x48

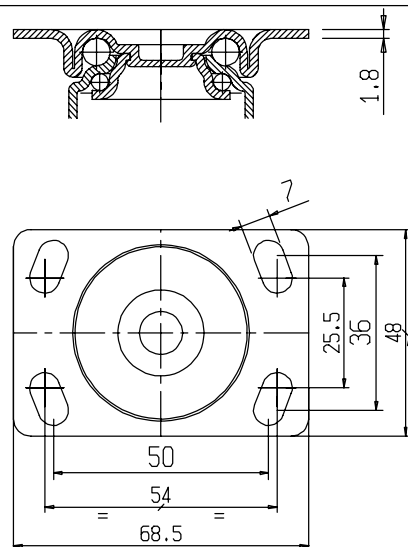
Integral Plate fixing P7 68.5x48

PI



Diverse Asolature sono Eseguibili,
Inscritte nel Perimetro Esterno
Possibility of various slots made in the external
perimeter


P7





Diverse Asolature sono Eseguibili,
Inscritte nel Perimetro Esterno
Possibility of various slots made in the external
perimeter


Supporti girevoli Serie ML e MLFT per i vari Diametri di Ruote e Gamma di Fissaggi Swivel forks of the ML-MLFT series for the various wheels diameters and range of fixings

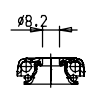
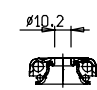
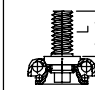
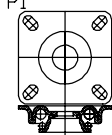
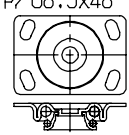
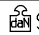

Materiale: Lamiera ferro secondo standard EN 10130
 Trattamento superficiale: Zincatura passivata UNI ISO 2081
 Corona sfere superiore: n. 14 sfere 1/4" ingrassate
 Corona sfere inferiore: n. 22 sfere 5/32" ingrassate
 Material: Iron sheet subject to EN 10130
 Surface treatment: passivated galvanisation subject to UNI ISO 2081
 Upper ball crown N.14 greased balls 1/4
 Lower ball crown N.22 greased balls 5/32



 S Portata Statica conforme UNI EN 12527

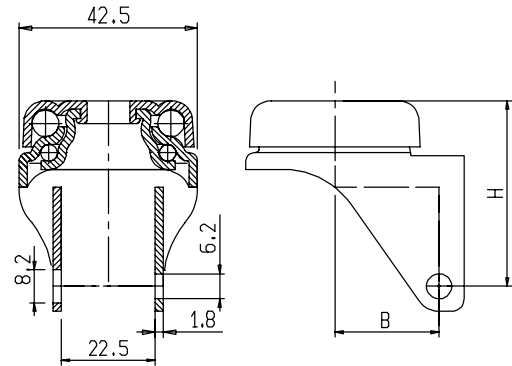
 S Static load capacity conform uni en 12527

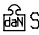
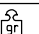
 = Peso per 1 pezzo

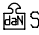
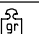
 = Weight for a piece

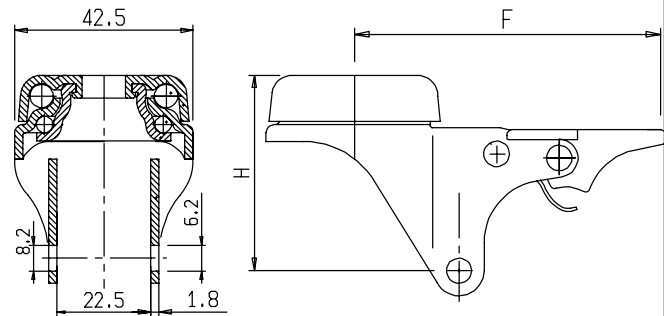
	B8	B10	F	PI	P7 68.5x48
					
ITEM	50/ML/B8	50/ML/B10	50/ML/F	50/ML/PI	50/ML/P7
H	46	46	46	46	46
B	26	26	26	26	26
 S	-	-	-	-	-
	122	122	147	150	147

	60/ML/B8	60/ML/B10	60/ML/F	60/ML/PI	60/ML/P7
ITEM	60/ML/B8	60/ML/B10	60/ML/F	60/ML/PI	60/ML/P7
H	52	52	52	52	52
B	27	27	27	27	27
 S	-	-	-	-	-
	128	128	153	156	153



ITEM	50/MLFT/B8	50/MLFT/B10	50/MLFT/F	50/MLFT/PI	50/MLFT/P7
H	46	46	46	46	46
F	80	80	80	80	80
 S	-	-	-	-	-
	162	162	187	190	187

ITEM	60/MLFT/B8	60/MLFT/B10	60/MLFT/F	60/MLFT/PI	60/MLFT/P7
H	52	52	52	52	52
F	80	80	80	80	80
 S	-	-	-	-	-
	168	168	193	196	193



* La portata statica indicata per i soli supporti corrisponde a 1.5 portata dinamica verificata secondo UNI 12527 montando una ruota in Nylon

* The static load capacity mentioned for the only forks correspond to 1.5 of dynamic load capacity checked according to UNI 12527 assembling with a nylon wheel

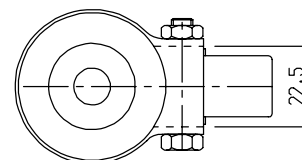
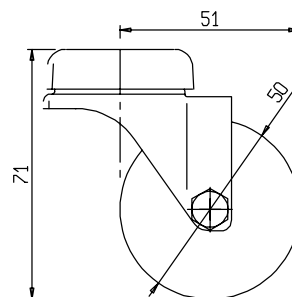
Compressivi girevoli Serie 50 ML nelle varie tipologie di: Fissaggi, Ruote assemblati

Swivel castors of the 50 ML series with different types of fixings, assembled wheels


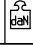
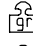
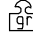
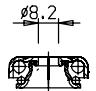
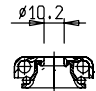
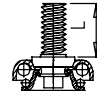


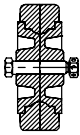
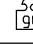
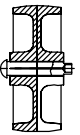
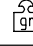
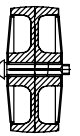
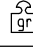
Requisiti dei Compressivi assemblati alle varie Ruote Requirements of the castors assembled with the different wheels	G	Gd	GCC	PU	SR	SRd	N	Nd
Portata Dinamica conforme UNI EN 12527 Dynamic load capacity conform UNI EN 12527	D	45	45	45	80	40	40	54
Portata Statica conforme UNI EN 12527 Static load capacity conform UNI EN 12527	S	67	67	67	120	60	60	81

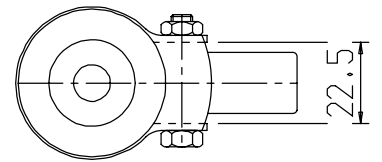
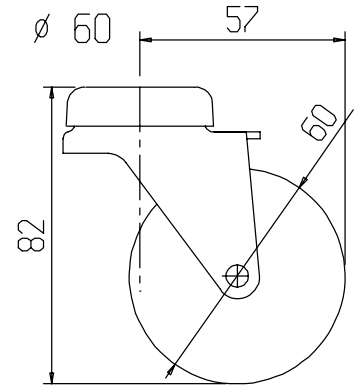
		B8	B10	F	PI	P7 68.5x48
= Peso per 1 pezzo = Weight for a piece						
	ITEM	50/ML/GB8	50/ML/GB10	50/ML/GF	50/ML/GPI	50/ML/GP7
		173	173	198	237	206
	ITEM	50/ML/GdB8	50/ML/GdB10	50/ML/GdF	50/ML/GdPI	50/ML/GdP7
		180	180	205	216	213
	ITEM	50/ML/GCCB8	50/ML/GCCB10	50/ML/GCCF	50/ML/GCCPI	50/ML/GCCP7
		184	184	209	221	218
	ITEM	50/ML/GdAB8	50/ML/GdAB10	50/ML/GdAF	50/ML/GdAPI	50/ML/GdAP7
		-	-	-	-	-
	ITEM	50/ML/GcAB8	50/ML/GcAB10	50/ML/GcAF	50/ML/GcAPI	50/ML/GcAP7
		-	-	-	-	-
	ITEM	50/ML/PUB8	50/ML/PUB10	50/ML/PUF	50/ML/PUPI	50/ML/PUP7
		172	172	197	236	205
	ITEM	50/ML/SRB8	50/ML/SRB10	50/ML/SRF	50/ML/SRPI	50/ML/SRP7
		159	159	184	207	204
	ITEM	50/ML/SRdB8	50/ML/SRdB10	50/ML/SRdF	50/ML/SRdPI	50/ML/SRdP7
		166	166	191	214	211
	ITEM	50/ML/NB8	50/ML/NB10	50/ML/NF	50/ML/NPI	50/ML/NP7
		150	150	175	188	185
	ITEM	50/ML/NdB8	50/ML/NdB10	50/ML/NdF	50/ML/NdPI	50/ML/NdP7
		158	158	183	196	170

∅ 50



Compressivi girevoli Serie 60 ML nelle varie tipologie di: Fissaggi, Ruote assemblati
 Swivel castors of the 60 ML series with different types of fixings, assembled wheels

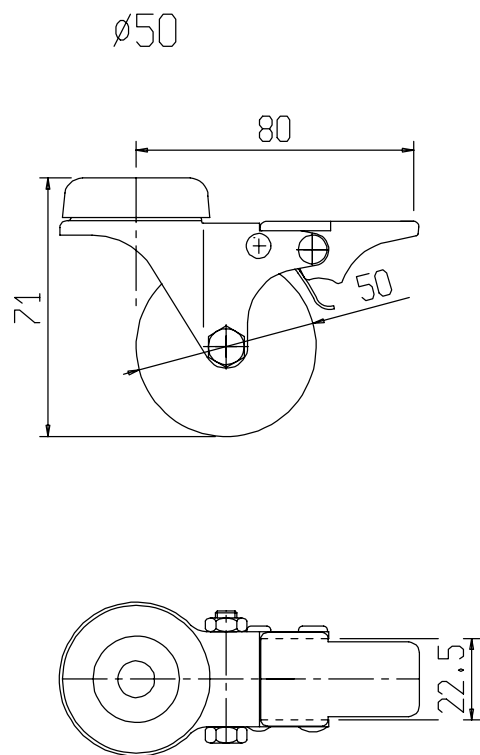
Requisiti dei Compressivi assemblati alle varie Ruote Requirements of the castors assembled with the different wheels		G	N	Nd		
Portata Dinamica conforme UNI EN 12527 Dynamic load capacity conform UNI EN 12527		 D	45	58	58	
Portata Statica conforme UNI EN 12527 Static load capacity conform UNI EN 12527		 S	67	87	87	
	B8	B10	F	PI	P7 68,5x48	
 = Peso per 1 pezzo  = Weight for a piece						
60G	ITEM	60/ML/GB8	60/ML/GB10	60/ML/GF	60/ML/GPI	60/ML/GP7
		199	199	224	238	235
60N	ITEM	60/ML/NB8	60/ML/NB10	60/ML/NF	60/ML/NPI	60/ML/NP7
		164	164	189	203	200
60Nd	ITEM	60/ML/NdB8	60/ML/NdB10	60/ML/NdF	60/ML/NdPI	60/ML/NdP7
		186	186	211	225	222



Compressivi girevoli Serie50 MLFT nelle varie tipologie di:Fissaggi,Ruote assemblati
Swivel castors of the 50 MLFT series with different types of fixings, assembled wheels

Requisiti dei Compressivi assemblati alle varie Ruote Requirements of the castors assembled with the different wheels	G	Gd	GCC	PU	SR	SRd	N	Nd
Portata Dinamica conforme UNI EN 12527 Dynamic load capacity conform UNI EN 12527		45	45	45	80	40	40	54
Portata Statica conforme UNI EN 12527 Static load capacity conform UNI EN 12527		67	67	67	120	60	60	81
Resistenza Passiva del Dispositivo Frenante Conforme UNI EN 12527 Passive resistance of braking device in compliance with UNI EN 12527		10	10	10	-	-	-	16

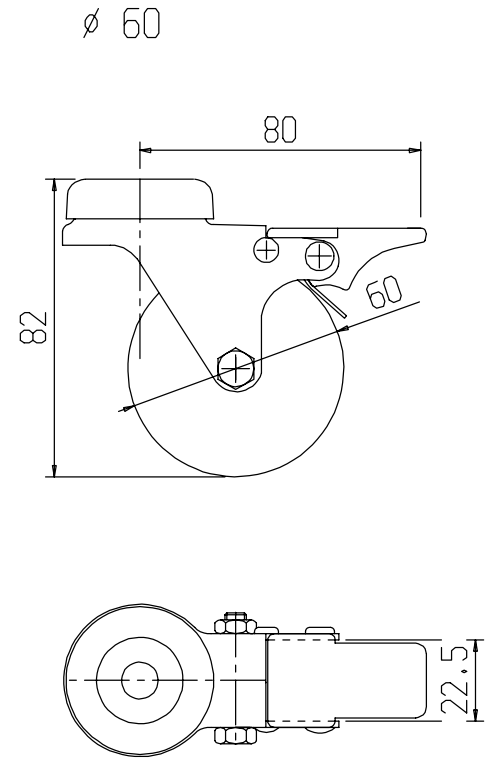
	B8	B10	F	PI	P7 68.5x48
 Peso per 1 pezzo Weight for a piece					
 50G	ITEM 50/MLFT/GB8 209	ITEM 50/MLFT/GB10 209	ITEM 50/MLFT/GF 234	ITEM 50/MLFT/GPI 237	ITEM 50/MLFT/GP7 234
 50Gd	ITEM 50/MLFT/GdB8 213	ITEM 50/MLFT/GdB10 213	ITEM 50/MLFT/GdF 238	ITEM 50/MLFT/GdPI 241	ITEM 50/MLFT/GdP7 238
 50GCC	ITEM 50/MLFT/GCCB8 216	ITEM 50/MLFT/GCCB10 216	ITEM 50/MLFT/GCCF 241	ITEM 50/MLFT/GCCPI 244	ITEM 50/MLFT/GCCP7 241
 50GdA	ITEM 50/MLFT/GdAB8 -	ITEM 50/MLFT/GdAB10 -	ITEM 50/MLFT/GdAF -	ITEM 50/MLFT/GdAPI -	ITEM 50/MLFT/GdAP7 -
 50GcA	ITEM 50/MLFT/GcAB8 -	ITEM 50/MLFT/GcAB10 -	ITEM 50/MLFT/GcAF -	ITEM 50/MLFT/GcAPI -	ITEM 50/MLFT/GcAP7 -
 50PU	ITEM 50/MLFT/PUB8 208	ITEM 50/MLFT/PUB10 208	ITEM 50/MLFT/PUF 233	ITEM 50/MLFT/PUPI 276	ITEM 50/MLFT/PUP7 241
 50SR	ITEM 50/MLFT/SRB8 195	ITEM 50/MLFT/SRB10 195	ITEM 50/MLFT/SRF 220	ITEM 50/MLFT/SRPI 223	ITEM 50/MLFT/SRP7 220
 50SRd	ITEM 50/MLFT/SRdB8 202	ITEM 50/MLFT/SRdB10 202	ITEM 50/MLFT/SRdF 227	ITEM 50/MLFT/SRdPI 250	ITEM 50/MLFT/SRdP7 247
 50N	ITEM 50/MLFT/NB8 190	ITEM 50/MLFT/NB10 190	ITEM 50/MLFT/NF 215	ITEM 50/MLFT/NPI 218	ITEM 50/MLFT/NP7 215
 50Nd	ITEM 50/MLFT/NdB8 198	ITEM 50/MLFT/NdB10 198	ITEM 50/MLFT/NdF 223	ITEM 50/MLFT/NdPI 226	ITEM 50/MLFT/NdP7 223



Compressivi girevoli Serie 60 MLFT nelle varie tipologie di: Fissaggi, Ruote assemblati
 Swivel castors of the 60 MLFT series with different types of fixings, assembled wheels

Requisiti dei Compressivi assemblati alle varie Ruote Requirements of the castors assembled with the different wheels	G	N	Nd
Portata Dinamica conforme UNI EN 12527 Dynamic load capacity conform UNI EN 12527	D	45	58
Portata Statica conforme UNI EN 12527 Static load capacity conform UNI EN 12527	S	67	87
Resistenza Passiva del Dispositivo Frenante Conforme UNI EN 12527 Passive resistance of braking device in compliance with UNI EN 12527	FT	-	-

		B8	B10	F	PI	P7 68.5x48
= Peso per 1 pezzo = Weight for a piece						
60G 	ITEM	60/MLFT/GB8	60/MLFT/GB10	60/MLFT/GF	60/MLFT/GPI	60/MLFT/GP7
		244	244	269	272	269
60N 	ITEM	60/MLFT/NB8	60/MLFT/NB10	60/MLFT/NF	60/MLFT/NPI	60/MLFT/NP7
		209	209	234	248	245
60Nd 	ITEM	60/MLFT/NdB8	60/MLFT/NdB10	60/MLFT/NdF	60/MLFT/NdPI	60/MLFT/NdP7
		231	231	256	270	267

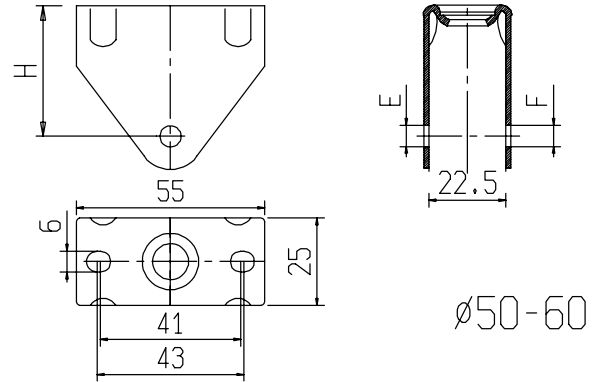


Supporti fissi Serie ML per i vari Diametri di Ruote e Gamma di Fissaggi Fixed forks of the ML series for the various wheels diameters and fixings range

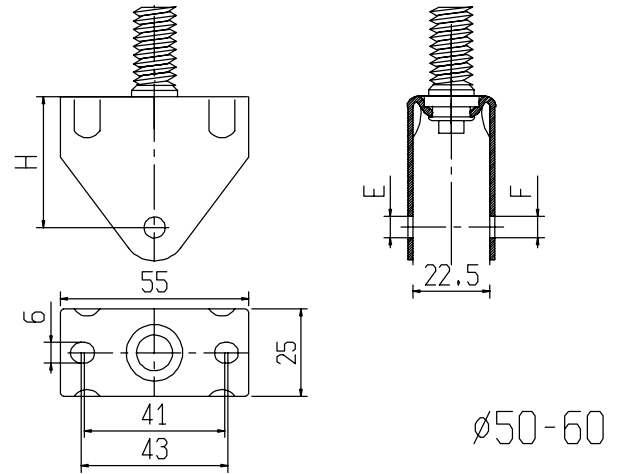
Materiale: Lamiera ferro EN 10130
 Trattamento superficiale: Zincatura passivata UNI ISO 2081
 Material: Iron sheet subject to EN 10130
 surface treatment: passivated galvanisation subject to UNI ISO 2081

S Portata statica conforme UNI EN 12527 *
 S Static load capacity conform UNI EN 12527 *
 =Peso per 1 pezzo =Weight for a piece

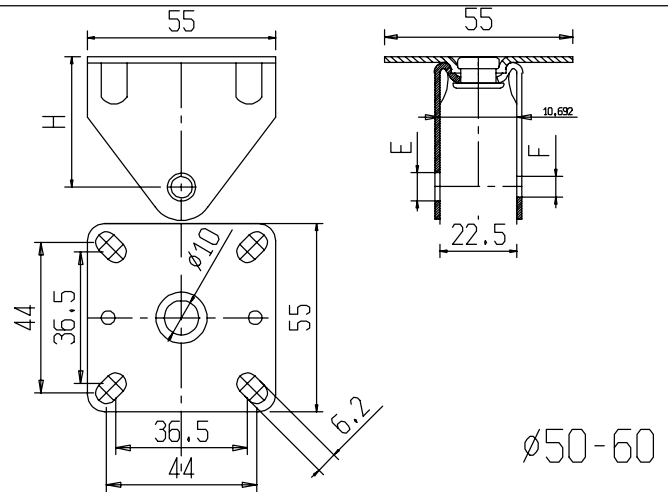
ITEM	50/ML/SF		60/ML/SF	
H	46		46	
E-F	6.2-6.2	6.2-8.2	6.2-6.2	6.2-8.2
S	-		-	
gr	77		85	



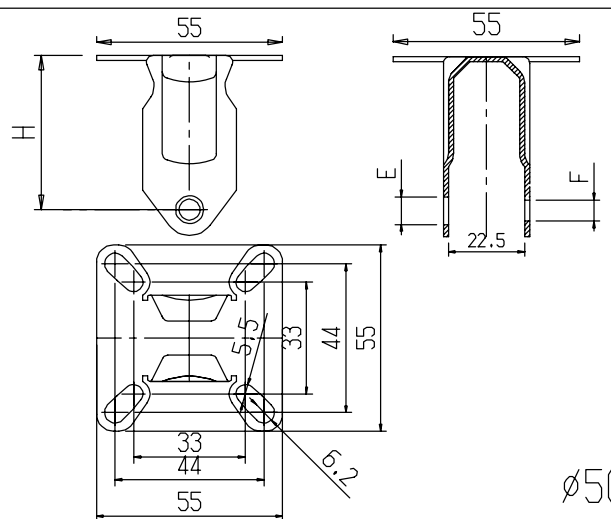
ITEM	50/ML/SFF		60/ML/SFF	
H	46		46	
E-F	6.2-6.2	6.2-8.2	6.2-6.2	6.2-8.2
S	-		-	
gr	98		106	



ITEM	50/ML/SFP5		60/ML/SFP5	
H	46		46	
E-F	6.2-6.2	6.2-8.2	6.2-6.2	6.2-8.2
S	-		-	
gr	123		131	



ITEM	50/ML/SFP5I	
H	46	
E-F	6.2-6.2	6.2-8.2
S	-	
gr	48	



* La portata statica indicata per i soli supporti corrisponde a 1.5 portata dinamica verificata secondo UNI 12527 montando una ruota in Nylon

* The static load capacity mentioned for the only forks correspond to 1.5 dynamic load capacity checked according to UNI 12527 assembling with a nylon wheel

Compressivi fissi serie 50/ML/SF nelle varie tipologie di: Fissaggi, Ruote assemblati

Fixed castors of 50/ML/SF series with different type of: fixings, assembled wheels


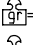
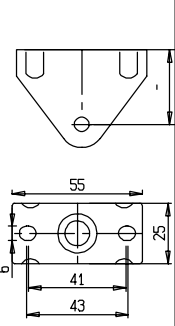
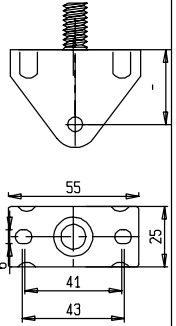
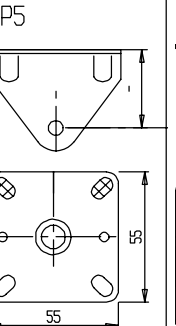
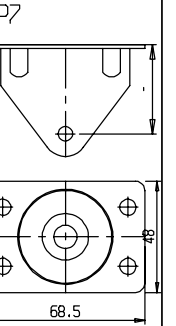
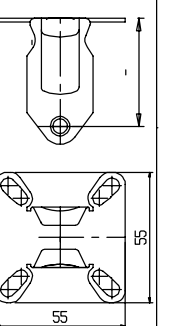





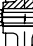


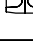
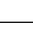
Requisiti dei Compressivi assemblati alle varie Ruote
Requirements of the castors assembled with the different wheels

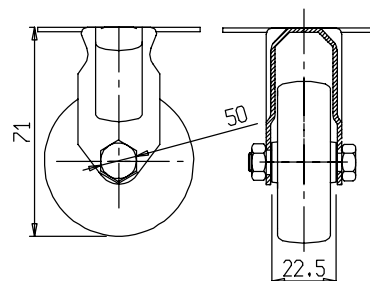
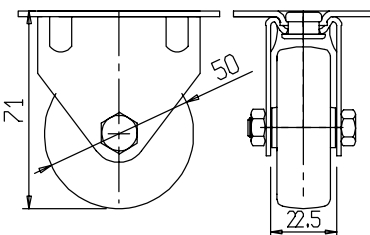
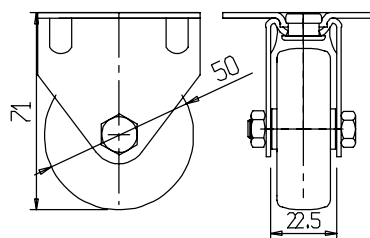
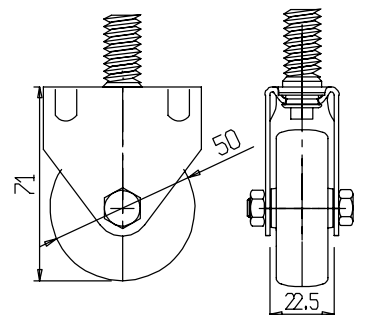
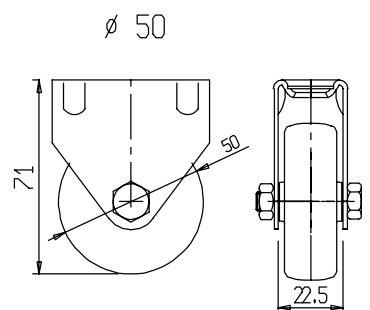
Portata Dinamica conforme UNI EN 12527

Dynamic load capacity conform UNI EN 12527

Portata Statica conforme UNI EN 12527

Static load capacity conform UNI EN 12527

			P5		P7	
	↳ = Peso per 1 pezzo					
	↳ = Weight for a piece					
	ITEM	50/ML/SFG	50/ML/SFFG	50/ML/SFP5G	50/ML/SFP7G	50/ML/SFP5IG
	↳ D	30	30	30	30	30
	↳ S	45	45	45	45	45
	ITEM	50/ML/SFGd	50/ML/SFFGd	50/ML/SFP5Gd	50/ML/SFP7Gd	50/ML/SFP5IGd
	↳ D	30	30	30	30	30
	↳ S	45	45	45	45	45
	ITEM	50/ML/SFGCC	50/ML/SFFGCC	50/ML/SFP5GCC	50/ML/SFP7GCC	50/ML/SFP5IGCC
	↳ D	40	40	40	40	40
	↳ S	60	60	60	60	60
	ITEM	50/ML/SFGdA	50/ML/SFFGdA	50/ML/SFP5GdA	50/ML/SFP7GdA	50/ML/SFP5IGdA
	↳ D	40	40	40	40	40
	↳ S	60	60	60	60	60
	ITEM	50/ML/SFGcA	50/ML/SFFGcA	50/ML/SFP5GcA	50/ML/SFP7GcA	50/ML/SFP5IGcA
	↳ D	40	40	40	40	40
	↳ S	60	60	60	60	60
	ITEM	50/ML/SFPU	50/ML/SFFPU	50/ML/SFP5PU	50/ML/SFP7PU	50/ML/SFP5IPU
	↳ D	80	80	80	80	80
	↳ S	120	120	120	120	120
	ITEM	50/ML/SFSR	50/ML/SFFSR	50/ML/SFP5SR	50/ML/SFP7SR	50/ML/SFP5ISR
	↳ D	30	30	30	30	30
	↳ S	45	45	45	45	45
	ITEM	50/ML/SFSRd	50/ML/SFFSRd	50/ML/SFP5SRd	50/ML/SFP7SRd	50/ML/SFP5ISRd
	↳ D	30	30	30	30	30
	↳ S	45	45	45	45	45
	ITEM	50/ML/SFN	50/ML/SFFN	50/ML/SFP5N	50/ML/SFP7N	50/ML/SFP5IN
	↳ D	60	60	60	60	60
	↳ S	90	90	90	90	90
	ITEM	50/ML/SFNd	50/ML/SFFNd	50/ML/SFP5Nd	50/ML/SFP7Nd	50/ML/SFP5INd
	↳ D	60	60	60	60	60
	↳ S	90	90	90	90	90
	↳	118	139	164	-	89



Compressivi fissi serie 60/ML/SF nelle varie tipologie di: Fissaggi, Ruote assemblati
 Fixed castors of 60/ML/SF series with different types of: fixings, assembled wheels

Requisiti dei Compressivi assemblati alle varie Ruote
 Requirements of the castors assembled with the different wheels

Portata Dinamica conforme UNI EN 12527
 Dynamic load capacity conform UNI EN 12527

Portata Statica conforme UNI EN 12527
 Static load capacity conform UNI EN 12527

Peso per 1 pezzo
 Weight for a piece

				P5 	P7
60G 	ITEM	60/ML/SFG	60/ML/SFFG	60/ML/SFP5G	60/ML/SFP7G
	H	80	80	82	82
	D	30	30	30	30
	S	45	45	45	45
		161	182	207	-
60N 	ITEM	60/ML/SFN	60/ML/SFFN	60/ML/SFP5N	60/ML/SFP7N
	H	80	80	82	82
	D	55	55	55	55
	S	82.5	82.5	82.5	82.5
		122	143	168	-
60Nd 	ITEM	60/ML/SFNd	60/ML/SFFNd	60/ML/SFP5Nd	60/ML/SFP7Nd
	H	80	80	82	82
	D	55	55	55	55
	S	82.5	82.5	82.5	82.5
		144	165	190	-

