

Requisiti Ruote Serie M nelle varie tipologie di diametri, battistrada, organi di rotolamento
 Wheels Series M requirements in the various types of diameters, tyres, rolling parts

Ruota tipo	Wheel type		G	Gd	Gc- GCC	GdA	GcA	PU	SR	SRd	N	Nd
Catteristiche del Battistrada	Gomma Grigia				Gomma Conduttiva Nera		Poliuretano		Gomma Sintetica Grigia		Nylon Nero	
Tyres characteristics	Grey Rubber				Conductive Black rubber		Polyurethane		Synthetic Grey rubber		Black Nylon	
Durezza del Battistrada conforme UNI EN 12527	shore A	76	76	76	85	85	85	78	78		>100	>100
Temperature di Utilizzo Raccomandate	Max=	+70°C	+70°C	+70°C	+40°C	+40°C	+40°C	+60°C	+60°C		+40°C	+40°C
Recommended working temperatures	Min=	-30°C	-30°C	-30°C	-5°C	-5°C	-5°C	-10°C	-10°C		0°C	0°C
Catteristiche del Nucleo	Polipropilene Nero		Nylon Nero		Nylon Nero Conduttivo		Nylon Bianco		Polipropilene Grigio			
Wheel centre characteristics	Black Polypropylene		Black Nylon		Conductive Black Nylon		White Nylon		Grey Polypropylene			
Catteristiche del Mozzo	Foro Liscio	Tube	Parafilo	Cuscinetto a Sfera	Foro Liscio	Tube	Parafilo	Cuscinetto a Sfera	Foro Liscio	Tube	Parafilo	Cuscinetto a Sfera
Hub characteristics	Plain bearing	Threadguard	Ball Bearing	Plain bearing	Threadguard	Ball Bearing	Threadguard	Plain bearing	Threadguard	Ball Bearing	Threadguard	Threadguard
Conducibilita' Elettrica conforme UNI EN 12527	hom Ω					< 10.000		g = Peso per 1 pezzo				
Electric conductivity in compliance with UNI EN 12527	hom Ω					< 10.000		g = Weight for a piece				
Portata Dinamica conforme UNI EN 12527	D					Resistenza al Rotolamento (FR) alla Portata Nominale		FR				
Dynamic load capacity conform UNI EN 12527	D					Rolling resistance (FR) at rated capacity		FR				
Portata Statica conforme UNI EN 12527	S					Resistenza al Superamento Ostacolo (FO) alla Portata Nominale		FO				
Static load capacity conform UNI EN 12527	S					Obstacle overcoming resistance (FO) at rated capacity		FO				
ITEM												
A												
D												
S												
FR												
FO												
ITEM	50MG	50MGd		50MGcc	50MPU		50MGdA	50MGcA	50MSR		50MN	50MNd
A	50	50		50	50		50	50	50		50	50
D	40	40		40	80		-	-	-		60	60
S	60	60		60	120		-	-	-		90	90
FR	2.4	2.4		2.4			-	-	-		1.4	1.4
FO	5.1	5.1		5.1			-	-	-		5.9	5.9
	44	55		57			71	97	-		30	40
ITEM	60MG	60MGd		60MGcc	60MPU		60MGdA	60MGcA	60MSR		60MN	60MNd
A	60	60		60	60		60	60	60		60	60
D	30	30		30	90		-	-	40		70	70
S	45	45		45	135		90	90	60		105	105
FR	2.2	2.2		2.2	-		-	-	-		0.8	0.8
FO	4.4	4.4		4.4	-		-	-	-		3.6	3.6
	61	72		81	59		96	126	38		34	54
ITEM	75MG	75MGd		75Gcc	75MPU		75MGdA	75MGcA	75MSR	75MSRd	75MN	75MNd
A	75	75		75	75		75	75	75	75	75	75
D	60	60		60	90		60	60	70	70	80	80
S	90	90		90	135		90	90	105	105	120	120
FR	3.2	3.2		-	-		-	-	-		0.7	0.7
FO	6.1	6.1		-	-		-	-	-		4.1	4.1
	86	111		113	86		137	170	62	80	43	71
ITEM	80MG	80MGd	80MGc				80MGdA	80MGcA	80MSR	80MSRd	80MN	80MNd
A	80	80	80				80	80	80	80	80	80
D	60	60	60				60	60	70	70	70	70
S	90	90	90				90	90	105	105	105	105
FR	2.7	2.7	2.7				-	-	-	-	0.7	0.7
FO	5.6	5.6	5.6				-	-	-	-	3.6	3.6
	114	139	187				154	187	65	83	50	78
ITEM	100MG	100MGd		100MGcc			100MGdA	100MGcA	100MSR	100MSRd	100MN	100MNd
A	100	100		100			100	100	100	100	100	100
D	60	60		60					80	80	70	70
S	90	90		90					120	120	105	105
FR	1.8	1.8		1.8					-	-	0.5	0.5
FO	5.5	5.5		5.5					-	-	3.6	3.6
	164	201		192			217	242	91	131	80	120
ITEM	125MG	125MGd										
A	125	125										
D	65	65										
S	100	100										
FR	1.8	1.8										
FO	5.8	5.8										
	278	330										

Assali, Cuscinetto e Parafili per Ruote Serie M Axles, Bearings and Thread Guards for castors of the M series

Raccomandazione Adozione Assali per le varie tipologie di Ruote
Recommendation for the adoption of axles in the different types of wheels

M/G	M/Gd	M/Gc	M/GCC	M/PU	M/PUC	M/GdA	M/GcA	M/SR	M/SRd	M/N	M/Nd
ITEM 84 291	ITEM 85 291	ITEM 84 291	ITEM 85 291	ITEM 8084 291	ITEM 85 291	ITEM 84 291	ITEM 84 291	ITEM 84 291	ITEM 85 291	ITEM 82 -	ITEM 83 -
ITEM 82 -	ITEM 83 -	ITEM - -	ITEM 83 -	ITEM 8082 -		ITEM 82 -	ITEM - -	ITEM 82 -	ITEM 83 -	ITEM 84 291	ITEM 85 291
	ITEM 988 -	ITEM - -	ITEM - -			ITEM - -	ITEM - -	ITEM - -	ITEM 988 -	ITEM - -	ITEM 988 -
ITEM 84 16	ASSE VITE (631/RID) SCREW AXLE (631/RID)	ITEM 85 11	ASSE VITE RID/M6x40 SCREW AXLE RID/M6x40	ITEM 291 2	M6 M6	ITEM 598 15	CUSCINETTO M 8x22x15 a sfera BALL BEARING M 8x22x15	 =Peso per 1 pezzo =Weight for a piece			
ITEM 82 14	ASSE RIB 24/ASR RIVETED AXLE 24/ASR	ITEM 83 9	ASSE RIB M6x40 RIVETED AXLE M6x40	ITEM 988 5	TUBINO TUBE			ITEM 365 12	PARAFILI per RUOTE 100MGd THREADGUARDS for WHEELS -		
ITEM 362 3	PARAFILI per RUOTE 50MGd THREADGUARDS for WHEELS 50MGd	ITEM 363 4	PARAFILI per RUOTE 60MGd THREADGUARDS for WHEELS 60MGd	ITEM 364 6	PARAFILI per RUOTE 75-80MGd THREADGUARDS for WHEELS 75-80MGd	ITEM 355 4	PARAFILI NYLON per RUOTA 75/MSRd NYLON THREADGUARDS WHEELS 75/MSRd	ITEM 405 12	PARAFILI per RUOTE 100MGcA THREADGUARDS for WHEELS 100MGcA		
ITEM 391 2	PARAFILI per RUOTE 50MGcA THREADGUARDS for WHEELS 50MGcA	ITEM 391 2	PARAFILI per RUOTE 60MGcA THREADGUARDS for WHEELS 60MGcA	ITEM 388 3	PARAFILI NYLON GRIS per RUOTE 75MGcc e 100MGcc GREY NYLON THREADGUARD for WHEELS 75MGcc 100MGcc			ITEM 420 26	PARAFILI per RUOTE 100MSRd 100MNd THREADGUARDS for WHEELS 100MSRd 100MNd		
				ITEM 396 392	PARAFILI per RUOTE 80MGc 75/80MGcA THREADGUARDS for WHEELS 80MGc 75/80MGcA						
ITEM 409 5	PARAFILI per RUOTE 50MNd THREADGUARDS for WHEELS 50MNd	ITEM 400 9	PARAFILI per RUOTE 60MNd THREADGUARDS for WHEELS 60MNd	ITEM 365 16	PARAFILI per RUOTE 75/80MNd THREADGUARDS for WHEELS 75/80MNd	ITEM 400 9	PARAFILI per RUOTE 80MSRd 80MSRd THREADGUARDS for WHEELS 80MSRd	ITEM 420 26	PARAFILI per RUOTE 125MGd THREADGUARDS for WHEELS 125MGd		

Gamma di Fissaggi Standard per Supporti Serie M MFT

Range of standard fixings for forks of the M and MFT series

A Foro Passante $\phi 12.2$ per Vite di Fissaggio Imbus M12x20 With bolt hole of $\phi 12.2$ for fixing screw IMBUS M12x20 (*) Rondella di appoggio a richiesta supporting washer on request	A Foro Passante $\phi 9$ per Vite di Fissaggio Imbus M8x25 (*) With bolt hole of $\phi 9$ for fixing screw IMBUS M8x25 (*)	A Foro Passante $\phi 10.2$ per Vite di Fissaggio Imbus 10x25 (*) With bolt hole of $\phi 10.2$ for fixing screw IMBUS 10x25 (*)	A Perno Filettato Rivettato eo Vite Imbus fissata Dimensioni da tabella da Specificare sempre all' Ordine With riveted thread stem, and/or fixed Imbus screw dimensions as per table to be specified when placing order	A Codolo Liscio Rivettato, dimensioni a richiesta. With smooth riveted stem, dimensions on request.
--	---	---	--	--

<p>O</p> <p>* Lunghezza della Vite Inseribile con Ruota Assemblata * Length of screw that can be inserted with assembled wheel</p>	<p>B8 FORNIBILE SU RICHIESTA AVAILABLE ON REQUEST</p> <p>* Lunghezza della Vite Inseribile con Ruota Assemblata * Length of screw that can be inserted with assembled wheel</p>	<p>B10</p> <p>* Lunghezza della Vite Inseribile con Ruota Assemblata * Length of screw that can be inserted with assembled wheel</p>	<p>F</p>	<p>F</p>	<p>C</p>										
			<table border="1"> <tr> <td>D</td> <td>M10</td> <td>M12</td> </tr> <tr> <td>L</td> <td>15-20-25-30</td> <td>15-25</td> </tr> </table>	D	M10	M12	L	15-20-25-30	15-25	<table border="1"> <tr> <td>D</td> <td>M12</td> </tr> <tr> <td>L</td> <td>9-13-18-23-28-33-38-43-53</td> </tr> </table>	D	M12	L	9-13-18-23-28-33-38-43-53	
D	M10	M12													
L	15-20-25-30	15-25													
D	M12														
L	9-13-18-23-28-33-38-43-53														

<p>Fissaggio a Piastra Integrale P1 60x60 Integral plate fixing P1 60x60</p> <p>PI</p> <p>Diverse Asolature sono Eseguibili, Inscritte nel Perimetro Esterno Possibility of various slots made in the external perimeter</p>	<p>Fissaggio a Piastra Integrale P3 77x67 Integral plate fixing P3 77x67</p> <p>P3</p> <p>Diverse Asolature sono Eseguibili, Inscritte nel Perimetro Esterno Possibility of various slots made in the external perimeter</p>	<p>Fissaggio a Piastra Integrale P7 68.5x48 Integral plate fixing P7 68.5x48</p> <p>P7</p> <p>Diverse Asolature sono Eseguibili, Inscritte nel Perimetro Esterno Possibility of various slots made in the external perimeter</p>	<p>Fissaggio a Piastra Integrale P6 92x65 Integral plate fixing P6 92x65</p> <p>P6</p> <p>Diverse Asolature sono Eseguibili, Inscritte nel Perimetro Esterno Possibility of various slots made in the external perimeter</p>
--	--	--	--

<p>Fissaggio ad Espansore in Gomma per Tubo Tondo Le Dimensioni del Gommino Disponibili vedi Tabella Rubber expander fixing for round tube, see table for the available expander dimensions</p> <p>E</p> <p>* sono Eseguibili Gommini Conduttivi * Conductive rubber expander can also be made.</p>	<p>Fissaggio ad Espansori in Gomma per Tubo Tondo e Quadro Dimensioni dei Gommini Disponibili vedi Tabella Rubber expander fixing for round and square tube, see table for available dimensions of rubber expanders</p> <p>EL</p> <p>* sono Eseguibili Gommini Conduttivi * Conductive rubber expander can also be made.</p>	<p>Fissaggio con SET EL (*) Fixing with EL SET (*)</p> <p>(*) i Componenti (1 2 3 4) sono fornibili in Bustine da 1 SET (*) Components (1, 2, 3 and 4) are available in packets of 1 set</p> <p>Si Raccomanda di Adottare: Supporto B10 + Vite Imbus M10x65 + Dado + SET EL (1 2 3 4) You are recommended to use housing type B10 + screw IMBUS M10x65 + NUT + SET EL (1, 2, 3, 4)</p> <table border="1"> <tr> <td>ITEM</td> <td>1904</td> <td>1905</td> <td>1906</td> <td>1901</td> <td>1907</td> </tr> <tr> <td>SET EL</td> <td>$\phi 18$</td> <td>$\phi 19$</td> <td>$\phi 22$</td> <td>$\phi 25$</td> <td>$\phi 28$</td> </tr> <tr> <td>ITEM</td> <td>1908</td> <td>1902</td> <td>1903</td> <td></td> <td></td> </tr> <tr> <td>SET EL</td> <td>$\phi 21$</td> <td>$\phi 26$</td> <td>$\phi 31$</td> <td></td> <td></td> </tr> </table>	ITEM	1904	1905	1906	1901	1907	SET EL	$\phi 18$	$\phi 19$	$\phi 22$	$\phi 25$	$\phi 28$	ITEM	1908	1902	1903			SET EL	$\phi 21$	$\phi 26$	$\phi 31$			<p>Fissaggio ad Angolare A2 A3 Angular fixing A2 A3</p>
ITEM	1904	1905	1906	1901	1907																						
SET EL	$\phi 18$	$\phi 19$	$\phi 22$	$\phi 25$	$\phi 28$																						
ITEM	1908	1902	1903																								
SET EL	$\phi 21$	$\phi 26$	$\phi 31$																								
<table border="1"> <tr> <td>K</td> <td>18</td> <td>19</td> <td>22</td> <td>25</td> <td>28</td> </tr> </table> <p>K-Diametro Interno del Tubo da Specificare sempre all Ordine K: Inside diameter of the tube always to be specified when placing order</p>	K	18	19	22	25	28	<table border="1"> <tr> <td>ϕ</td> <td>18</td> <td>19</td> <td>22</td> <td>25</td> <td>28</td> </tr> <tr> <td>ϕ</td> <td>21</td> <td>26</td> <td>31</td> <td></td> <td></td> </tr> </table> <p>ϕ, \square Dimensioni Interne del Tubo da Specificare sempre all Ordine ϕ, \square Inside dimensions of tube always to be specified when placing order</p>	ϕ	18	19	22	25	28	ϕ	21	26	31										
K	18	19	22	25	28																						
ϕ	18	19	22	25	28																						
ϕ	21	26	31																								

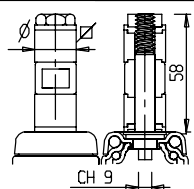
Supporti girevoli Serie M per i vari diametri di ruote e gamma di fissaggi
Swivel forks M Series for the various wheels diameters and range of fixings

Materiale: Lamiera ferro secondo standard EN 10130
Trattamento superficiale Zincatura passivata UNI ISO 2081
Corona sfere superiore: n. 14 sfere 1/4" ingrassate
Corona sfere inferiore: n. 22 sfere 5/32" ingrassate
Material: Iron sheet EN 10130
Surface treatment passivated galvanisation subject to UNI ISO 2081
Upper ball crown N. 14 greased balls 1/4
Lower ball crown N. 22 greased ball 5/32

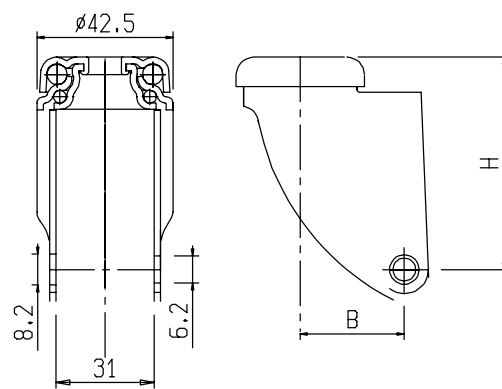
Portata Statica conforme UNI EN 12527 *

Static load capacity conform UNI EN 12527 *

GR = Peso per 1 pezzo
GR = Weight for a piece



	∅	18	19	22	25	28
EL +		-	-	-	-	-
	∇	21	26	31	-	-
EL +		-	-	-	-	-

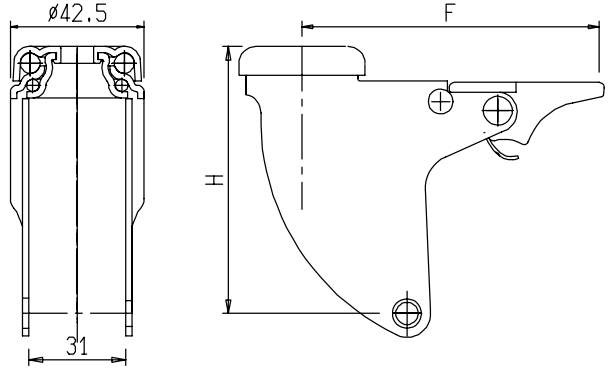


ITEM	GR	O Rondella Washer	B10 ∅10.2 a richiesta On request BB ∅9	F M10 M12 CH9	PI 60x60	P3 77x67	P7 68.5x48	P6 92x65	E	EL + Espansori Expanders	A2	A3
123	5											
ITEM		35/M/O	35/M/B10	35/M/F	35/M/PI		35/M/P7		35/M/E		35/M/A2	35/M/A3
H		35.3	35.3	35.3	35.3		35.3		35.3		35.3	35.3
B		17	17	17	17		17		17		17	17
GR S		-	-	-	-		-		-		-	-
GR		-	110	-	-		-		-		-	-
ITEM		50/M/O	50/M/B10	50/M/F	50/M/PI	50/M/P3	50/M/P7	50/M/P6	50/M/E	50/M/EL	50/M/A2	50/M/A3
H		47	47	47	47	47	47	47	47	47	47	47
B		22.5	22.5	22.5	22.5	22.5	22.5	22.5	22.5	22.5	22.5	22.5
GR S		45	45	45	45	45	45	45	45	45	45	45
GR		123	128	153	155	171	152	198	177	187	213	223
ITEM		60/M/O	60/M/B10	60/M/F	60/M/PI	60/M/P3	60/M/P7	60/M/P6	60/M/E	60/M/EL	60/M/A2	60/M/A3
H		52.5	52.5	52.5	52.5	52.5	52.5	52.5	52.5	52.5	52.5	52.5
B		20.5	20.5	20.5	20.5	20.5	20.5	20.5	20.5	20.5	20.5	20.5
GR S		75	75	75	75	75	75	75	75	75	75	75
GR		130	136	161	163	179	160	206	184	194	205	215
ITEM		75-80/M/O	75-80/M/B10	75-80/M/F	75-80/M/PI	75-80/M/P3	75-80/M/P7	75-80/M/P6	75-80/M/E	75-80/M/EL	75-80/M/A2	75-80/M/A3
H		63.5	63.5	63.5	63.5	63.5	63.5	63.5	63.5	63.5	63.5	63.5
B		30	30	30	30	30	30	30	30	30	30	30
GR S		30	30	30	30	30	30	30	30	30	30	30
GR		159	162	187	200	216	197	243	213	223	244	247
ITEM		100/M/O	100/M/B10	100/M/F	100/M/PI	100/M/P3	100/M/P7	100/M/P6	100/M/E	100/M/EL	100/M/A2	100/M/A3
H		72.5	72.5	72.5	72.5	72.5	72.5	72.5	72.5	72.5	72.5	72.5
B		32.6	32.6	32.6	32.6	32.6	32.6	32.6	32.6	32.6	32.6	32.6
GR S		30	30	30	30	30	30	30	30	30	30	30
GR		168	174	199	204	220	201	247	225	235	253	256
ITEM		125/M/O	125/M/B10	125/M/F	125/M/PI	125/M/P3	125/M/P7	125/M/P6	125/M/E	125/M/EL	125/M/A2	125/M/A3
H		87.5	87.5	87.5	87.5	87.5	87.5	87.5	87.5	87.5	87.5	87.5
B		34.5	34.5	34.5	34.5	34.5	34.5	34.5	34.5	34.5	34.5	34.5
GR S		-	-	-	-	-	-	-	-	-	-	-
GR		204	210	235	239	255	236	282	261	271	285	288

* La portata statica indicata per i soli supporti corrisponde a 1.5 portata dinamica verificata secondo UNI 12527 montando una ruota in Nylon
* The static load capacity mentioned for the only forks correspond to 1.5 of dynamic load capacity checked according to UNI 12527 assembling with a nylon wheel

Supporti girevoli con freno Serie MFT per i vari diametri di ruote e gamma di fissaggi
Swivel forks with brake MFT Series for the various wheels diameters and range of fixings

Materiale: Lamiera ferro secondo standard EN 10130
Trattamento superficiale Zincatura passivata UNI ISO 2081
Corona sfere superiore: n. 14 sfere 1/4" ingrassate
Corona sfere inferiore: n. 22 sfere 5/32" ingrassate
Material: Iron sheet EN 10130
Surface treatment passivated galvanisation subject to UNI ISO 2081
Upper ball crown N. 14 greased balls 1/4
Lower ball crown N. 22 greased ball 5/32



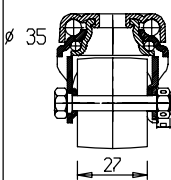
Portata Statica conforme UNI EN 12527 *
 Static load capacity conform UNI EN 12527 *

= Peso per 1 pezzo = Weight for a piece			18	19	22	25	28
		EL +	-	-	-	-	-
		EL +	21	26	31	-	-

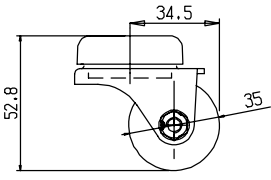
ITEM	0 Rondella Washer	B10 Ø10.2 a richiesta on request B8 Ø9	F M10 M12	PI 60x60	P3 77x67	P7 68.5x48	P6 92x65	E	EL+ Espansori Expanders	A2	A3
123 5											
ITEM	35/MF/O	35/MF/B10	35/MF/F	35/MF/PI		35/MF/P7		35/MF/E		35/MF/A2	35/MF/A3
H	35.3	35.3	35.3	35.3		35.3		35.3		35.3	35.3
F	69.3	69.3	69.3	69.3		69.3		69.3		69.3	69.3
	-	-	-	-		-		-		-	-
	152	120	-	-		-		-		-	-
ITEM	50/MFT/O	50/MFT/B10	50/MFT/F	50/MFT/PI	50/MFT/P3	50/MFT/P7	50/MFT/P6	50/MFT/E	50/MFT/EL	50/MFT/A2	50/MFT/A3
H	47	47	47	47	47	47	47	47	47	47	47
F	80	80	80	80	80	80	80	80	80	80	80
	45	45	45	45	45	45	45	45	45	45	45
	175	178	210	200	216	197	243	234	244	250	254
ITEM	60/MFT/O	60/MFT/B10	60/MFT/F	60/MFT/PI	60/MFT/P3	60/MFT/P7	60/MFT/P6	60/MFT/E	60/MFT/EL	60/MFT/A2	60/MFT/A3
H	52.5	52.5	52.5	52.5	52.5	52.5	52.5	52.5	52.5	52.5	52.5
F	81.5	81.5	81.5	81.5	81.5	81.5	81.5	81.5	81.5	81.5	81.5
	75	75	75	75	75	75	75	75	75	75	75
	177	186	218	209	225	206	252	231	241	252	256
ITEM	75/MFT/O	75/MFT/B10	75/MFT/F	75/MFT/PI	75/MFT/P3	75/MFT/P7	75/MFT/P6	75/MFT/E	75/MFT/EL	75/MFT/A2	75/MFT/A3
H	63.5	63.5	63.5	63.5	63.5	63.5	63.5	63.5	63.5	63.5	63.5
F	90.5	90.5	90.5	90.5	90.5	90.5	90.5	90.5	90.5	90.5	90.5
	30	30	30	30	30	30	30	30	30	30	30
	221	228	260	250	266	247	293	228	238	296	300
ITEM	80/MFT/O	80/MFT/B10	80/MFT/F	80/MFT/PI	80/MFT/P3	80/MFT/P7	80/MFT/P6	80/MFT/E	80/MFT/EL	80/MFT/A2	80/MFT/A3
H	63.5	63.5	63.5	63.5	63.5	63.5	63.5	63.5	63.5	63.5	63.5
F	90.5	90.5	90.5	90.5	90.5	90.5	90.5	90.5	90.5	90.5	90.5
	30	30	30	30	30	30	30	30	30	30	30
	221	228	260	250	266	247	293	228	238	296	300
ITEM	100/MFT/O	100/MFT/B10	100/MFT/F	100/MFT/PI	100/MFT/P3	100/MFT/P7	100/MFT/P6	100/MFT/E	100/MFT/EL	100/MFT/A2	100/MFT/A3
H	72.5	72.5	72.5	72.5	72.5	72.5	72.5	72.5	72.5	72.5	72.5
F	96	96	96	96	96	96	96	96	96	96	96
	30	30	30	30	30	30	30	30	30	30	30
	245	244	276	270	286	267	313	299	309	352	356
ITEM	125/MFT/O	125/MFT/B10	125/MFT/F	125/MFT/PI	125/MFT/P3	125/MFT/P7	125/MFT/P6	125/MFT/E	125/MFT/EL	125/MFT/A2	125/MFT/A3
H	87.5	87.5	87.5	87.5	87.5	87.5	87.5	87.5	87.5	87.5	87.5
F	100	100	100	100	100	100	100	100	100	100	100
	-	-	-	-	-	-	-	-	-	-	-
	281	288	320	320	336	317	363	343	353	396	400

Compressivi girevoli Serie 35/M e 50/M nelle varie tipologie di fissaggi, ruote assembleate
Swivel castors 35/M and 50/M Series in the different types of fixings, assembled wheels

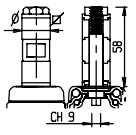
Requisiti dei compressivi assemblati alle varie ruote Requirements of the castors assembled with the different wheels		PUC	N			G	Gd	Gcc	PU	GdA	GcA	SR	N	Nd	
Portata Dinamica conforme UNI EN 12527 Dynamic load capacity conform UNI EN 12527			100	70	\varnothing 35	\varnothing 50		50	50	80	40	40	-	30	30
Portata Statica conforme UNI EN 12527 Static load capacity conform UNI EN 12527			150	105				75	75	120	60	60	-	45	45
				Conducibilita'Elettrica conforme UNI EN 12527 Electric conductivity in compliance with UNI EN 12527						<10.000					



\varnothing 35

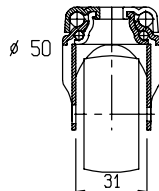


34.5
52.8
35

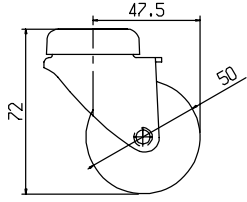


CH 9


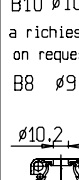
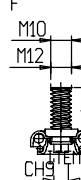
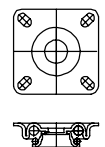
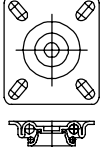
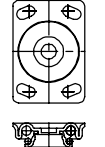
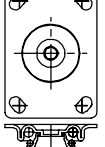
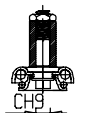
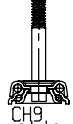
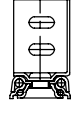
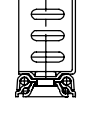
\varnothing	18	19	22	25	28
EL +	-	-	-	-	-
	∇ 21	26	31	-	-
EL +	-	-	-	-	-



\varnothing 50

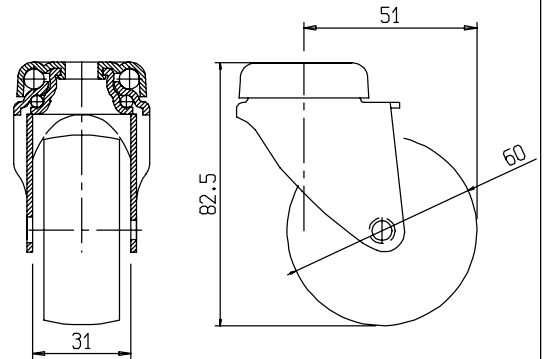


47.5
72
50
31

ITEM		0 Rondella Washer	B10 \varnothing 10.2 a richiesta on request B8 \varnothing 9	F M10 M12	PI 60x60	P3 77x67	P7 68.5x48	P6 92x65	E	EL Espansori Expanders	A2	A3	
123	-												
		\varnothing 12,2		\varnothing 10,2				\varnothing 9					
35Puc		ITEM	35/M/PUc0	35/M/PUcB10	35/M/PUcF	35/M/PUcPI		35/M/PUcP7		35/M/PUcE		35/M/PUcA2	35/M/PUcA3
			-	-	-	-		-		-		-	-
35N		ITEM	35/M/N0	35/M/NB10	35/M/NF	35/M/NPI		35/M/NP7		35/M/NE		35/M/NA2	35/M/NA3
			-	-	-	-		-		-		-	-
50G		ITEM	50/M/G0	50/M/GB10	50/M/GF	50/M/GPI	50/M/GP3	50/M/GP7	50/M/GP6	50/M/GE	50/M/GEL	50/M/GA2	50/M/GA3
			186	186	216	220	236	217	263	240	258	276	255
50Gd		ITEM	50/M/Gd0	50/M/GdB10	50/M/GdF	50/M/GdPI	50/M/GdP3	50/M/GdP7	50/M/GdP6	50/M/GdE	50/M/GdEL	50/M/GdA2	50/M/GdA3
			190	196	220	222	238	219	265	244	262	281	259
50Gcc		ITEM	50/M/Gcc0	50/M/GccB10	50/M/GccF	50/M/GccPI	50/M/GccP3	50/M/GccP7	50/M/GccP6	50/M/GccE	50/M/GccEL	50/M/GccA2	50/M/GccA3
			199	204	229	232	248	229	275	253	271	289	268
50PU		ITEM	50/M/PU0	50/M/PUB10	50/M/PUF	50/M/PUPI	50/M/PUP3	50/M/PUP7	50/M/PUP6	50/M/PUE	50/M/PUEL	50/M/PUA2	50/M/PUA3
			-	-	-	-	-	-	-	-	-	-	-
50GdA		ITEM	50/M/GdA0	50/M/GdAB10	50/M/GdAF	50/M/GdAPI	50/M/GdAP3	50/M/GdAP7	50/M/GdAP6	50/M/GdAE		50/M/GdAA2	50/M/GdAA3
			206	212	236	238	254	235	281	260		297	275
50GcA		ITEM	50/M/GcA0	50/M/GcAB10	50/M/GcAF	50/M/GcAPI	50/M/GcAP3	50/M/GcAP7	50/M/GcAP6	50/M/GcAE		50/M/GcAA2	50/M/GcAA3
			239	244	269	272	288	269	315	293		329	308
50SR		ITEM	50/M/SR0	50/M/SRB10	50/M/SRF	50/M/SRPI	50/M/SRP3	50/M/SRP7	50/M/SRP6	50/M/SRE	50/M/SREL	50/M/SRA2	50/M/SRA3
			-	-	-	-	-	-	-	-	-	-	-
50N		ITEM	50/M/N0	50/M/NB10	50/M/NF	50/M/NPI	50/M/NP3	50/M/NP7	50/M/NP6	50/M/NE	50/M/NEL	50/M/NA2	50/M/NA3
			167	173	197	199	215	196	242	221	239	242	246
50Nd		ITEM	50/M/Nd0	50/M/NdB10	50/M/NdF	50/M/NdPI	50/M/NdP3	50/M/NdP7	50/M/NdP6	50/M/NdE	50/M/NdEL	50/M/NdA2	50/M/NdA3
			182	188	206	208	224	205	251	234	252	270	274

Compressivi girevoli Serie 60/M nelle varie tipologie di fissaggi, ruote assemblate
Swivel castors 60/M Series in the different types of fixings, assembled wheels

Requisiti dei Compressivi assemblati alle varie Ruote Requirements of the castors assembled with the different wheels		G	Gd	Gcc	PU	GdA	GcA	SR	SRd	N	Nd	
Portata Dinamica conforme UNI EN 12527 Dynamic load capacity conform UNI EN 12527			60	60	60	80	-	-	60	-	50	50
Portata Statica conforme UNI EN 12527 Static load capacity conform UNI EN 12527			90	90	90	120	-	-	90	-	75	75
Conducibilita' Elettrica conforme UNI EN 12527 Electric conductivity in compliance with UNI EN 12527											<10.000	

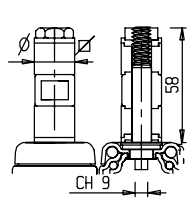


	ø	18	19	22	25	28
EL +		-	-	-	-	-
	∇	21	26	31	-	-
EL +		-	-	-	-	-

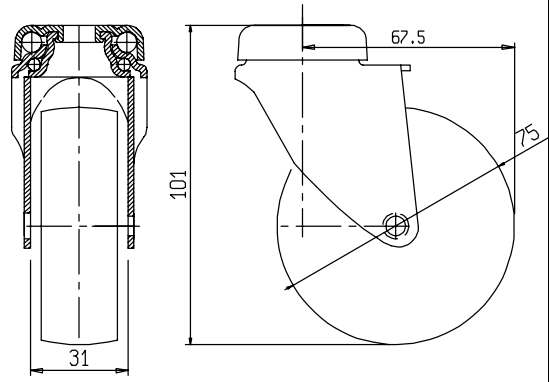
ITEM		€	Rondella Washer	B10 ø10.2 a Richiesta On request B8 ø9	F M10 M12 CH9	PI 60x60	P3 77x67	P7 68.5x48	P6 92x65	E	EL + Espansori Expanders	C	A2	A3
8123		5	-											
= Peso per 1 pezzo = Weight for a piece														
	ITEM	60/M/G0	60/M/GB10	60/M/GF	60/M/GPI	60/M/GP3	60/M/GP7	60/M/GP6	60/M/GE	60/M/GEL	60/M/GC	60/M/GA2	60/M/GA3	
		210	216	241	239	255	236	282	264	282	273	300	304	
	ITEM	60/M/Gd0	60/M/GdB10	60/M/GdF	60/M/GdPI	60/M/GdP3	60/M/GdP7	60/M/GdP6	60/M/GdE	60/M/GdEL	60/M/GdC	60/M/GdA2	60/M/GdA3	
		214	220	245	245	261	242	288	268	286	277	304	308	
	ITEM	60/M/Gcc0	60/M/GccB10	60/M/GccF	60/M/GccPI	60/M/GccP3	60/M/GccP7	60/M/GccP6	60/M/GccE	60/M/GccEL	60/M/GccC	60/M/GccA2	60/M/GccA3	
		230	235	260	262	278	259	305	283	301	293	320	324	
	ITEM	60/M/PU0	60/M/PUB10	60/M/PUF	60/M/PUPI	60/M/PUP3	60/M/PUP7	60/M/PUP6	60/M/PUE	60/M/PUEL	60/M/PUC	60/M/PUA2	60/M/PUA3	
		203	209	233	236	252	233	279	256	274	266	277	297	
	ITEM	60/M/GdA0	60/M/GdAB10	60/M/GdAF	60/M/GdAPI	60/M/GdAP3	60/M/GdAP7	60/M/GdAP6	60/M/GdAE			60/M/GdAA2	60/M/GdAA3	
		238	244	269	269	285	266	312	292			328	327	
	ITEM	60/M/GcA0	60/M/GcAB10	60/M/GcAF	60/M/GcAPI	60/M/GcAP3	60/M/GcAP7	60/M/GcAP6	60/M/GcAE			60/M/GcAA2	60/M/GcAA3	
		275	280	305	307	323	304	350	328			365	369	
	ITEM	60/M/SR0	60/M/SRB10	60/M/SRF	60/M/SRPI	60/M/SRP3	60/M/SRP7	60/M/SRP6	60/M/SRE	60/M/SREL	60/M/SRC	60/M/SRA2	60/M/SRA3	
		182	188	212	215	231	212	258	235	253	245	256	260	
	ITEM	60/M/N0	60/M/NB10	60/M/NF	60/M/NPI	60/M/NP3	60/M/NP7	60/M/NP6	60/M/NE	60/M/NEL	60/M/NC	60/M/NA2	60/M/NA3	
		179	185	209	212	228	209	255	232	250	242	253	257	
	ITEM	60/M/Nd0	60/M/NdB10	60/M/NdF	60/M/NdPI	60/M/NdP3	60/M/NdP7	60/M/NdP6	60/M/NdE	60/M/NdEL	60/M/NdC	60/M/NdA2	60/M/NdA3	
		198	204	229	235	251	232	278	251	269	261	288	292	

Compressivi girevoli Serie 75/M nelle varie tipologie di fissaggi, ruote assemblate
Swivel castors 75/M Series in the different types of fixings, assembled wheels

Requisiti dei Compressivi assemblati alle varie Ruote Requirements of the castors assembled with the different wheels	G	Gd	Gcc	PU	GdA	GcA	SR	SRd	N	Nd
Portata Dinamica conforme UNI EN 12527 Dynamic load capacity conform UNI EN 12527	60	60	60	60	50	50	70	70	30	30
Portata Statica conforme UNI EN 12527 Static load capacity conform UNI EN 12527	90	90	90	90	75	75	105	105	45	45
Conducibilità Elettrica conforme UNI EN 12527 Electric conductivity in compliance with UNI EN 12527	hom				< 10.000					



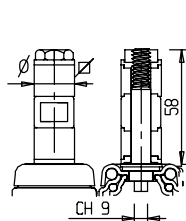
	Ø	18	19	22	25	28
EL +	-	-	-	-	-	-
	∇	21	26	31	-	-
EL +	-	-	-	-	-	-



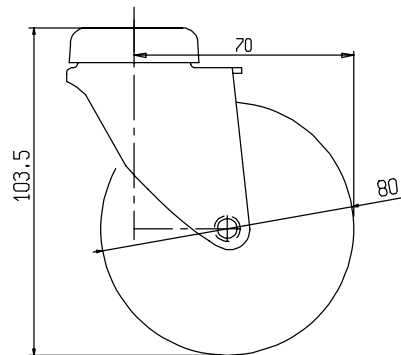
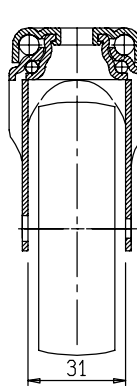
ITEM	8123	5	-	Rondella Washer	B10 Ø10.2 a Richiesta On request B8 Ø9	F	PI 60x60	P3 77x67	P7 68.5x48	P6 92x65	E	EL + Espansori Expanders	C	A2	A3
75G	ITEM	75/M/G0	75/M/GB10	75/M/GF	75/M/GPI	75/M/GP3	75/M/GP7	75/M/GP6	75/M/GE	75/M/GEL	75/M/GC	75/M/GA2	75/M/GA3		
		264	267	292	293	309	290	336	318	336	327	355	359		
75Gd	ITEM	75/M/Gd0	75/M/GdB10	75/M/GdF	75/M/GdPI	75/M/GdP3	75/M/GdP7	75/M/GdP6	75/M/GdE	75/M/GdEL	75/M/GdC	75/M/GdA2	75/M/GdA3		
		282	285	345	353	369	350	396	371	389	345	407	411		
75Gcc	ITEM	75/M/Gcc0	75/M/Gccb10	75/M/GccF	75/M/GccPI	75/M/GccP3	75/M/GccP7	75/M/GccP6	75/M/GccE	75/M/GccEL	75/M/GccC	75/M/GccA2	75/M/GccA3		
		279	282	272	280	296	277	323	298	316	342	335	339		
75PU	ITEM	75/M/PU0	75/M/PUB10	75/M/PUF	75/M/PUPI	75/M/PUP3	75/M/PUP7	75/M/PUP6	75/M/PUE	75/M/PUEL	75/M/PUC	75/M/PUA2	75/M/PUA3		
		258	261	286	300	316	297	343	312	330	321	348	352		
75GdA	ITEM	75/M/GdA0	75/M/GdAB10	75/M/GdAF	75/M/GdAPI	75/M/GdAP3	75/M/GdAP7	75/M/GAP6	75/M/GdAE				75/M/GdAA2	75/M/GdAA3	
		313	316	376	384	400	381	427	402				438	442	
75GcA	ITEM	75/M/GcA0	75/M/GcAB10	75/M/GcAF	75/M/GcAPI	75/M/GcAP3	75/M/GcAP7	75/M/GcAP6	75/M/GcAE				75/M/GcAA2	75/M/GcAA3	
		348	351	341	349	365	346	392	367				404	408	
75SR	ITEM	75/M/SR0	75/M/SRB10	75/M/SRF	75/M/SRPI	75/M/SRP3	75/M/SRP7	75/M/SRP6	75/M/SRE	75/M/SREL	75/M/SRC	75/M/SRA2	75/M/SRA3		
		240	243	268	276	292	273	319	294	312	303	331	335		
75SRd	ITEM	75/M/SRd0	75/M/SRdB10	75/M/SRdF	75/M/SRdPI	75/M/SRdP3	75/M/SRdP7	75/M/SRdP6	75/M/SRdE	75/M/SRdEL	75/M/SRdC	75/M/SRdA2	75/M/SRdA3		
		277	280	305	313	329	310	356	331	349	340	368	372		
75N	ITEM	75/M/N0	75/M/NB10	75/M/NF	75/M/NPI	75/M/NP3	75/M/NP7	75/M/NP6	75/M/NE	75/M/NEL	75/M/NC	75/M/NA2	75/M/NA3		
		216	219	244	258	274	255	301	270	288	279	306	310		
75Nd	ITEM	75/M/Nd0	75/M/NdB10	75/M/NdF	75/M/NdPI	75/M/NdP3	75/M/NdP7	75/M/NdP6	75/M/NdE	75/M/NdEL	75/M/NdC	75/M/NdA2	75/M/NdA3		
		244	247	272	287	303	284	330	298	316	307	334	338		

Compressivi girevoli Serie 80/M nelle varie tipologie di fissaggi, ruote assemblate
Swivel castors 80/M Series in the different types of fixings, assembled wheels

Requisiti dei Compressivi assemblati alle varie Ruote Requirements of the castors assembled with the different wheels	G	Gd	Gc	GdA	GcA	SR	SRd	N	Nd
Portata Dinamica conforme UNI EN 12527 Dynamic load capacity conform UNI EN 12527		60	60	60	-	70	70	30	30
Portata Statica conforme UNI EN 12527 Static load capacity conform UNI EN 12527		90	90	90	-	105	105	45	45
Conducibilita' Elettrica conforme UNI EN 12527 Electric conductivity in compliance with UNI EN 12527	Ω_{hom}	K 10.000							



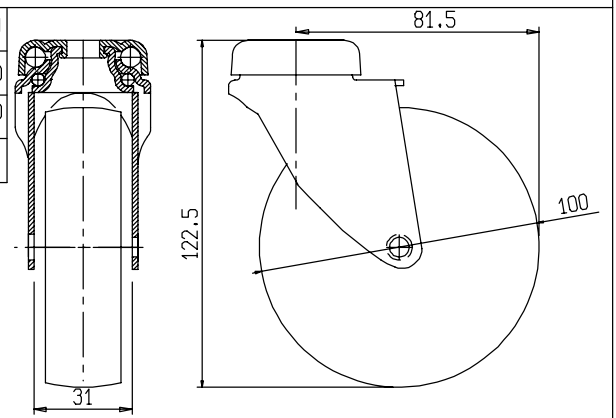
	Ø	18	19	22	25	28
EL +		-	-	-	-	-
	∠	21	26	31	-	-
EL +		-	-	-	-	-



ITEM		Rondella Washer	B10 Ø10.2 a Richiesta On request B8 Ø9	F M10 M12 CH9	PI 60x60	P3 77x67	P7 68.5x48	P6 92x65	E	EL + Expanders	C	A2	A3	
8123	5													
Ω = Peso per 1 pezzo Ω = Weight for a piece		Ø12.2	Ø10.2	CH9					CH9	CH9				
	ITEM	80/M/G0	80/M/GB10	80/M/GF	80/M/GPI	80/M/GP3	80/M/GP7	80/M/GP6	80/M/GE	80/M/GEL	80/M/GC	80/M/GA2	80/M/GA3	
	Ω	292	295	320	322	338	319	365	346	364	355	383	387	
	ITEM	80/M/Gd0	80/M/GdB10	80/M/GdF	80/M/GdPI	80/M/GdP3	80/M/GdP7	80/M/GdP6	80/M/GdE	80/M/GdEL	80/M/GdC	80/M/GdA2	80/M/GdA3	
	Ω	310	313	338	340	356	337	383	364	382	373	400	404	
	ITEM	80/M/Gc0	80/M/GcB10	80/M/GcF	80/M/GcPI	80/M/GcP3	80/M/GcP7	80/M/GcP6	80/M/GcE	80/M/GcEL	80/M/GcC	80/M/GcA2	80/M/GcA3	
	Ω	364	368	392	394	410	391	437	419	437	427	454	458	
	ITEM	80/M/GcA0	80/M/GcAB10	80/M/GcAF	80/M/GcAPI	80/M/GcAP3	80/M/GcAP7	80/M/GcAP6	80/M/GcAE			80/M/GcAA2	80/M/GcAA3	
	Ω	329	332	357	359	375	356	402	383			419	423	
	ITEM	80/M/GcA0	80/M/GcAB10	80/M/GcAF	80/M/GcAPI	80/M/GcAP3	80/M/GcAP7	80/M/GcAP6	80/M/GcAE			80/M/GcAA2	80/M/GcAA3	
	Ω	364	368	392	394	410	391	437	419			454	458	
	ITEM	80/M/SR0	80/M/SRB10	80/M/SRF	80/M/SRPI	80/M/SRP3	80/M/SRP7	80/M/SRP6	80/M/SRE	80/M/SREL	80/M/SRC	80/M/SRA2	80/M/SRA3	
	Ω	243	246	271	273	289	270	316	297	315	306	334	338	
	ITEM	80/M/SRd0	80/M/SRdB10	80/M/SRdF	80/M/SRdPI	80/M/SRdP3	80/M/SRdP7	80/M/SRdP6	80/M/SRdE	80/M/SRdEL	80/M/SRdC	80/M/SRdA2	80/M/SRdA3	
	Ω	261	264	289	291	307	288	334	315	333	324	352	356	
	ITEM	80/M/N0	80/M/NB10	80/M/NF	80/M/NPI	80/M/NP3	80/M/NP7	80/M/NP6	80/M/NE	80/M/NEL	80/M/NC	80/M/NA2	80/M/NA3	
	Ω	224	227	252	253	269	250	296	278	296	287	314	318	
	ITEM	80/M/Nd0	80/M/NdB10	80/M/NdF	80/M/NdPI	80/M/NdP3	80/M/NdP7	80/M/NdP6	80/M/NdE	80/M/NdEL	80/M/NdC	80/M/NdA2	80/M/NdA3	
	Ω	252	255	280	282	298	279	325	306	324	315	342	346	

Compressivi girevoli Serie 100/M nelle varie tipologie di fissaggi, ruote assemblate Swivel Castors 100/M Series in the different types of fixings, assembled wheels

Requisiti dei Compressivi assemblati alle varie Ruote Requirements of the castors assembled with the different wheels	G	Gd	Gcc	GdA	GcA	SR	BRd	N	Nd	
Portata Dinamica conforme UNI EN 12527 Dynamic load capacity conform UNI EN 12527		60	60	60	-	-	80	80	20	20
Portata Statica conforme UNI EN 12527 Static load capacity conform UNI EN 12527		90	90	90	-	-	120	120	30	30
Conducibilita' Elettrica conforme UNI EN 12527 Electric conductivity in compliance with UNI EN 12527		hom < 10.000								

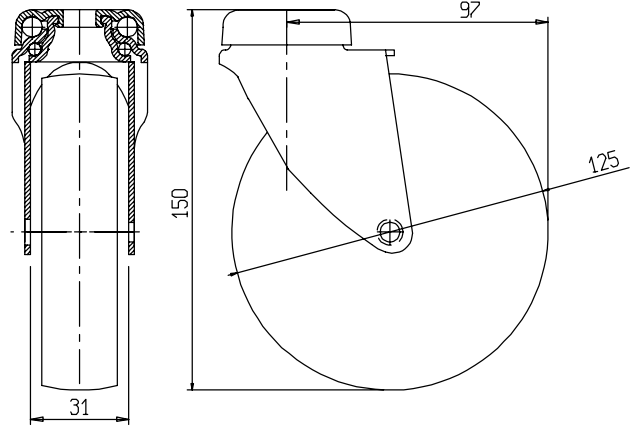


	\varnothing	18	19	22	25	28
EL +		-	-	-	-	-
	∇	21	26	31	-	-
EL +		-	-	-	-	-

ITEM		Rondella Washer	B10 \varnothing 10.2 a Richiesta On request B8 \varnothing 9	F M10 M12 CH9	PI 60x60	P3 77x67	P7 68.5x48	P6 92x65	E	EL + Expansori Expanders	C	A2	A3
8123	5	-											
		\varnothing 12.2	\varnothing 10.2						CH9	CH9			
100G													
	ITEM	100/M/G0	100/M/GB10	100/M/GF	100/M/GPI	100/M/GP3	100/M/GP7	100/M/GP6	100/M/GE	100/M/GEL	100/M/GC	100/M/GA2	100/M/GA3
		354	357	382	385	401	382	428	408	426	417	444	448
100Gd													
	ITEM	100/M/Gd0	100/M/GdB10	100/M/GdF	100/M/GdPI	100/M/GdP3	100/M/GdP7	100/M/GdP6	100/M/GdE	100/M/GdEL	100/M/GdC	100/M/GdA2	100/M/GdA3
		385	388	413	418	434	415	461	439	457	448	475	479
100Gcc													
	ITEM	100/M/Gcc0	100/M/GccB10	100/M/GccF	100/M/GccPI	100/M/GccP3	100/M/GccP7	100/M/GccP6	100/M/GccE	100/M/GccEL	100/M/GccC	100/M/GccA2	100/M/GccA3
		385	388	413	418	434	415	461	439	457	448	475	479
100GdA													
	ITEM	100/M/GdA0	100/M/GdAB10	100/M/GdAF	100/M/GdAPI	100/M/GdAP3	100/M/GdAP7	100/M/GdAP6	100/M/GdAE			100/M/GdAA2	100/M/GdAA3
		401	404	429	434	450	431	477	455			491	495
100GcA													
	ITEM	100/M/GcA0	100/M/GcAB10	100/M/GcAF	100/M/GcAPI	100/M/GcAP3	100/M/GcAP7	100/M/GcAP6	100/M/GcAE			100/M/GcAA2	100/M/GcAA3
		432	435	460	465	481	462	508	486			522	526
100SR													
	ITEM	100/M/SR0	100/M/SRB10	100/M/SRF	100/M/SRPI	100/M/SRP3	100/M/SRP7	100/M/SRP6	100/M/SRE	100/M/SREL	100/M/SRC	100/M/SRA2	100/M/SRA3
		280	283	308	325	341	322	368	434	452	343	370	374
100SRd													
	ITEM	100/M/SRd0	100/M/SRdB10	100/M/SRdF	100/M/SRdPI	100/M/SRdP3	100/M/SRdP7	100/M/SRdP6	100/M/SRdE	100/M/SRdEL	100/M/SRdC	100/M/SRdA2	100/M/SRdA3
		320	323	348	365	381	362	408	474	492	383	410	414
100N													
	ITEM	100/M/N0	100/M/NB10	100/M/NF	100/M/NPI	100/M/NP3	100/M/NP7	100/M/NP6	100/M/NE	100/M/NEL	100/M/NC	100/M/NA2	100/M/NA3
		266	269	294	297	313	294	340	320	338	329	356	360
100Nd													
	ITEM	100/M/Nd0	100/M/NdB10	100/M/NdF	100/M/NdPI	100/M/NdP3	100/M/NdP7	100/M/NdP6	100/M/NdE	100/M/NdEL	100/M/NdC	100/M/NdA2	100/M/NdA3
		301	304	329	332	348	329	375	355	373	364	391	395

Compressivi girevoli Serie 125/M nelle varie tipologie di fissaggi, ruote assemblate
 Swivel castors 125/M Series in the different types of fixings, assembled wheels

Requisiti dei Compressivi assemblati alle varie Ruote Requirements of the castors assembled with the different wheels	G	Gd
Portata Dinamica conforme UNI EN 12527 Dynamic load capacity conform UNI EN 12527	D	65 65
Portata Statica conforme UNI EN 12527 Static load capacity conform UNI EN 12527	S	97,5 97,5



	\varnothing	18	19	22	25	28
EL+	-	-	-	-	-	-
	\varnothing	21	26	31	-	-
EL+	-	-	-	-	-	-

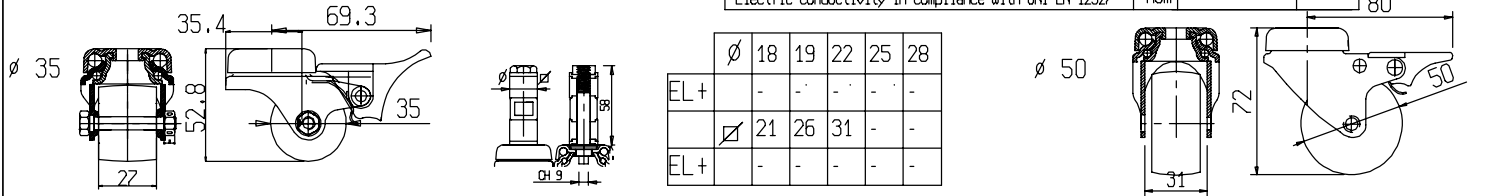
ITEM		Rondella Washer	B10 \varnothing 10,2 a Richiesta On request B8 \varnothing 9	F $\frac{M10}{M12}$	PI 60x60	P3 77x67	P7 68.5x48	P6 92x65	E	EL+ Espansori Expanders	C	A2	A3	
8123	-													
		\varnothing 12,2	\varnothing 10,2	CH9					CH9	CH9				
125G		ITEM	125/M/G0	125/M/GB10	125/M/GF	125/M/GPI	125/M/GP3	125/M/GP7	125/M/GP6	125/M/GE	125/M/GEL	125/M/GC	125/M/GA2	125/M/GA3
			491	495	523	521	537	518	564	549	567	554	582	586
125Gd		ITEM	125/M/Gd0	125/M/GdB10	125/M/GdF	125/M/GdPI	125/M/GdP3	125/M/GdP7	125/M/GdP6	125/M/GdE	125/M/GdE	125/M/GdC	125/M/GdA2	125/M/GdA3
			540	546	574	570	586	567	613	597	615	603	630	634

Compressivi girevoli confreno Serie 35/MF - 50/MFT nelle varie tipologie di fissaggi, ruote assemblate
 Swivel castors with brake 35/MF - 50/MFT Series in the different types of fixings, assembled wheels

Requisiti dei compressivi assemblati alle varie ruote Requirements of the castors assembled with the different wheels		PUC	N			G	Gd	Gcc	PU	GdA	GcA	SR	N	Nd
Portata Dinamica conforme UNI EN 12527 Dynamic load capacity conform UNI EN 12527		100	70	∅ 35	∅ 50		50	50	80	40	40	-	30	30
Portata Statica conforme UNI EN 12527 Static load capacity conform UNI EN 12527		150	105				75	75	120	60	60	-	45	45
Resistenza Passiva del Dispositivo Frenante Conforme UNI EN 12527 Passive resistance of braking device in compliance with UNI EN 12527		-	-				-	-	-	-	-	-	-	-

Conducibilità Elettrica conforme UNI EN 12527
Electric conductivity in compliance with UNI EN 12527

Ω	hom	<10.000
----------	-----	---------



ITEM		0 Rondella Washer	B10 ∅10.2 a richiesta on request B8 ∅9	F M10 M12	PI 60x60	P3 77x67	P7 68.5x48	P6 92x65	E	EL+ Espansori Expanders	A2	A3
8123	5											
		35/MF/PUC0	35/MF/PUCB10	35/MF/PUCF	35/MF/PUCPI		35/MF/PUCP7		35/MF/PUCE		35/MF/PUCA2	35/MF/PUCA3

ITEM	35/MF/NO	35/MF/NB10	35/MF/NF	35/MF/NPI		35/MF/NP7		35/MF/NE		35/MF/NA2	35/MF/NA3
	-	-	-	203		-		-		-	-

ITEM	50/MFT/GO	50/MFT/GB10	50/MFT/GF	50/MFT/GPI	50/MFT/GP3	50/MFT/GP7	50/MFT/GP6	50/MFT/GE	50/MFT/GEL	50/MFT/GA2	50/MFT/GA3
	238	241	273	268	284	265	311	292	310	328	332

ITEM	50/MFT/Gd0	50/MFT/GdB10	50/MFT/GdF	50/MFT/GdPI	50/MFT/GdP3	50/MFT/GdP7	50/MFT/GdP6	50/MFT/GdE	50/MFT/GdEL	50/MFT/GdA2	50/MFT/GdA3
	242	245	278	272	288	269	315	291	314	332	336

ITEM	50/MFT/Gcc0	50/MFT/GccB10	50/MFT/GccF	50/MFT/GccPI	50/MFT/GccP3	50/MFT/GccP7	50/MFT/GccP6	50/MFT/GccE	50/MFT/GccEL	50/MFT/GccA2	50/MFT/GccA3
	251	254	286	281	297	278	324	305	323	341	345

ITEM	50/MFT/PU0	50/MFT/PUB10	50/MFT/PUF	50/MFT/PUPI	50/MFT/PUP3	50/MFT/PUP7	50/MFT/PUP6	50/MFT/PUE	50/MFT/PUEL	50/MFT/PUA2	50/MFT/PUA3
	-	-	-	-	-	-	-	-	-	-	-

ITEM	50/MFT/GdA0	50/MFT/GdAB10	50/MFT/GdAF	50/MFT/GdAPI	50/MFT/GdAP3	50/MFT/GdAP7	50/MFT/GdAP6	50/MFT/GdAE		50/MFT/GdAA2	50/MFT/GdAA3
	258	261	294	288	304	285	331	307		348	352

ITEM	50/MFT/GcA0	50/MFT/GcAB10	50/MFT/GcAF	50/MFT/GcAPI	50/MFT/GcAP3	50/MFT/GcAP7	50/MFT/GcAP6	50/MFT/GcAE		50/MFT/GcAA2	50/MFT/GcAA3
	291	294	326	321	337	318	364	345		381	385

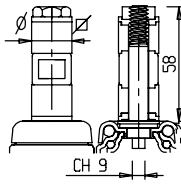
ITEM	50/MFT/SR0	50/MFT/SRB10	50/MFT/SRF	50/MFT/SRPI	50/MFT/SRP3	50/MFT/SRP7	50/MFT/SRP6	50/MFT/SRE	50/MFT/SREL	50/MFT/SRA2	50/MFT/SRA3
	-	-	-	-	-	-	-	-	-	-	-

ITEM	50/MFT/NO	50/MFT/NB10	50/MFT/NF	50/MFT/NPI	50/MFT/NP3	50/MFT/NP7	50/MFT/NP6	50/MFT/NE	50/MFT/NEL	50/MFT/NA2	50/MFT/NA3
	219	222	254	249	265	246	392	273	291	309	313

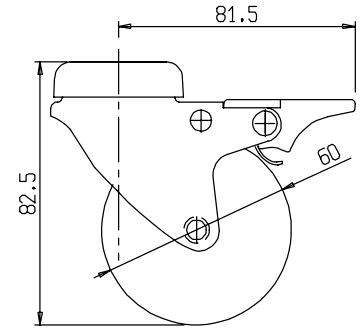
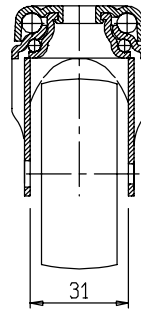
ITEM	50/MFT/Nd0	50/MFT/NdB10	50/MFT/NdF	50/MFT/NdPI	50/MFT/NdP3	50/MFT/NdP7	50/MFT/NdP6	50/MFT/NdE	50/MFT/NdEL	50/MFT/NdA2	50/MFT/NdA3
	234	237	269	266	282	263	309	288	306	324	328

Compressivi girevoli con freno Serie 60/MFT nelle varie tipologie di fissaggi, ruote assemblate
Swivel castors with brake 60/MFT Series in the different types of fixings, assembled wheels

Requisiti dei Compressivi assemblati alle varie Ruote Requirements of the castors assembled with the different wheels	G	Gd	Gcc	PU	GcA	SR	N	Nd
Portata Dinamica conforme UNI EN 12527 Dynamic load capacity conform UNI EN 12527		60	60	80	-	60	50	50
Portata Statica conforme UNI EN 12527 Static load capacity conform UNI EN 12527		90	90	120	-	90	75	75
Resistenza Passiva del Dispositivo Frenante Conforme UNI EN 12527 Passive resistance of braking device in compliance with UNI EN 12527		-	-	-	-	-	-	-
Conducibilita' Elettrica conforme UNI EN 12527 Electric conductivity in compliance with UNI EN 12527	Ω hom				< 10.000			



	\emptyset	18	19	22	25	28
EL +		-	-	-	-	-
	∇	21	26	31	-	-
EL +		-	-	-	-	-

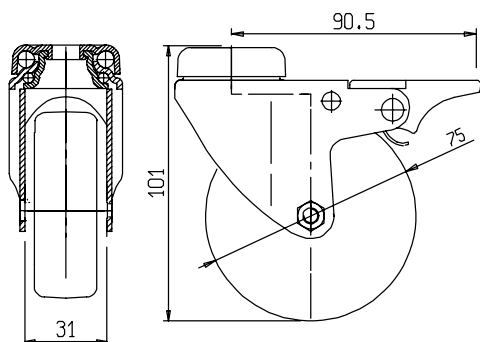


ITEM		Rondella Washer	B10 \emptyset 10.2 a Richiesta On request B8 \emptyset 9	F M10 M12 CH9	PI 60x60	P3 77x67	P7 68.5x48	P6 92x65	E	EL ¹ Expansori Expanders	C	A2	A3	
8123		0	\emptyset 10.2											
<small>\emptyset = Peso per 1 pezzo \emptyset = Weight for a piece</small>														
60G		ITEM	60/MFT/G0	60/MFT/GB10	60/MFT/GF	60/MFT/GPI	60/MFT/GP3	60/MFT/GP7	60/MFT/GP6	60/MFT/GE	60/MFT/GEL	60/MFT/GC	60/MFT/GA2	60/MFT/GA3
			257	260	298	290	306	287	333	311	329	320	347	351
60Gd		ITEM	60/MFT/Gd0	60/MFT/GdB10	60/MFT/GdF	60/MFT/GdPI	60/MFT/GdP3	60/MFT/GdP7	60/MFT/GdP6	60/MFT/GdE	60/MFT/GdEL	60/MFT/GdC	60/MFT/GdA2	60/MFT/GdA3
			261	265	302	294	310	291	337	315	339	324	351	355
60Gcc		ITEM	60/MFT/Gcc0	60/MFT/GccB10	60/MFT/GccF	60/MFT/GccPI	60/MFT/GccP3	60/MFT/GccP7	60/MFT/GccP6	60/MFT/GccE	60/MFT/GccEL	60/MFT/GccC	60/MFT/GccA2	60/MFT/GccA3
			276	280	317	306	322	303	349	330	294	339	366	370
60PU		ITEM	60/MFT/PU0	60/MFT/PUB10	60/MFT/PUF	60/MFT/PUPI	60/MFT/PUP3	60/MFT/PUP7	60/MFT/PUP6	60/MFT/PUE	60/MFT/PUEL	60/MFT/PUC	60/MFT/PUA2	60/MFT/PUA3
			250	256	280	283	299	280	326	303	321	313	324	344
60Gd		ITEM	60/MFT/GdA0	60/MFT/GdAB10	60/MFT/GdAF	60/MFT/GdAPI	60/MFT/GdAP3	60/MFT/GdAP7	60/MFT/GdAP6	60/MFT/GdAE			60/MFT/GdAA2	60/MFT/GdAA3
			285	289	326	318	334	315	361	339			375	379
60GcA		ITEM	60/MFT/GcA0	60/MFT/GcAB10	60/MFT/GcAF	60/MFT/GcAPI	60/MFT/GcAP3	60/MFT/GcAP7	60/MFT/GcAP6	60/MFT/GcAE			60/MFT/GcAA2	60/MFT/GcAA3
			321	325	362	351	367	348	394	375			411	415
60SR		ITEM	60/MFT/SR0	60/MFT/SRB10	60/MFT/SRF	60/MFT/SRPI	60/MFT/SRP3	60/MFT/SRP7	60/MFT/SRP6	60/MFT/SRE	60/MFT/SREL	60/MFT/SRC	60/MFT/SRA2	60/MFT/SRA3
			229	235	259	262	278	259	305	282	300	292	303	307
60N		ITEM	60/MFT/N0	60/MFT/NB10	60/MFT/NF	60/MFT/NPI	60/MFT/NP3	60/MFT/NP7	60/MFT/NP6	60/MFT/NE	60/MFT/NEL	60/MFT/NC	60/MFT/NA2	60/MFT/NA3
			230	234	266	259	275	256	302	287	305	293	320	324
60Nd		ITEM	60/MFT/Nd0	60/MFT/NdB10	60/MFT/NdF	60/MFT/NdPI	60/MFT/NdP3	60/MFT/NdP7	60/MFT/NdP6	60/MFT/NdE	60/MFT/NdEL	60/MFT/NdC	60/MFT/NdA2	60/MFT/NdA3
			249	253	285	279	295	276	322	307	325	312	339	343

Compressivi girevoli con freno Serie 75/MFT nelle varie tipologie di fissaggi, ruote assemblate
Swivel castors with brake 75/MFT Series in the different types of fixings, assembled wheels

Requisiti dei Compressivi assemblati alle varie Ruote Requirements of the castors assembled with the different wheels		G	Gd	Gcc	PU	GdA	GcA	SR	SRd	N	Nd
Portata Dinamica conforme UNI EN 12527 Dynamic load capacity conform UNI EN 12527			60	60	60	50	50	70	70	30	30
Portata Statica conforme UNI EN 12527 Static load capacity conform UNI EN 12527			90	90	90	75	75	105	105	45	45
Resistenza Passiva del Dispositivo Frenante Conforme UNI EN 12527 Passive resistance of braking device in compliance with UNI EN 12527			12	12	12	-	-	15	15	4	4
Conducibilit�Elettrica conforme UNI EN 12527 Electric conductivity in compliance with UNI EN 12527			< 10.000								

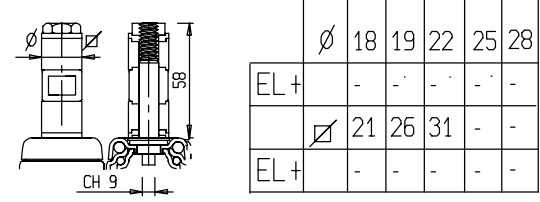
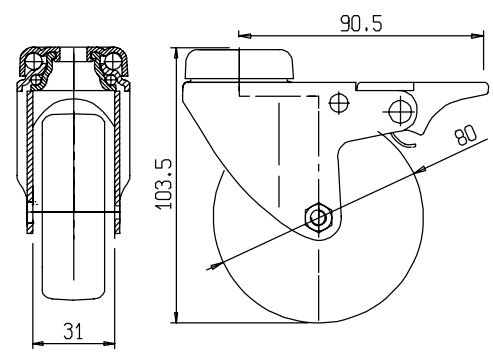
	Ø	18	19	22	25	28
EL+	-	-	-	-	-	-
EL+	21	26	31	-	-	-



ITEM		Rondella Washer Ø12,2	B10 #10.2 a Richiesta On request B8 #9	F M10 M12	PI 60x60	P3 77x67	P7 68.5x48	P6 92x65	E	EL +Espansori Expanders	C	A2	A3
75G	ITEM	75/MFT/G0	75/MFT/GB10	75/MFT/GF	75/MFT/GPI	75/MFT/GP3	75/MFT/GP7	75/MFT/GP6	75/MFT/GE	75/MFT/GEL	75/MFT/GC	75/MFT/GA2	75/MFT/GA3
		326	333	365	355	371	262	398	380	398	389	416	420
75Gd	ITEM	75/MFT/Gd0	75/MFT/GdB10	75/MFT/GdF	75/MFT/GdPI	75/MFT/GdP3	75/MFT/GdP7	75/MFT/GdP6	75/MFT/GdE	75/MFT/GdEL	75/MFT/GdC	75/MFT/GdA2	75/MFT/GdA3
		344	351	383	378	394	375	421	398	416	407	434	438
75Gcc	ITEM	75/MFT/Gcc0	75/MFT/GccB10	75/MFT/GccF	75/MFT/GccPI	75/MFT/GccP3	75/MFT/GccP7	75/MFT/GccP6	75/MFT/GccE	75/MFT/GccEL	75/MFT/GccC	75/MFT/GccA2	75/MFT/GccA3
		342	348	381	369	385	366	412	396	414	405	432	436
75PU	ITEM	75/MFT/PU0	75/MFT/PUB10	75/MFT/PUF	75/MFT/PUPI	75/MFT/PUP3	75/MFT/PUP7	75/MFT/PUP6	75/MFT/PUE	75/MFT/PUEL	75/MFT/PUC	75/MFT/PUA2	75/MFT/PUA3
		320	323	348	362	378	359	405	374	392	383	410	414
75GdA	ITEM	75/MFT/GdA0	75/MFT/GdAB10	75/MFT/GdAF	75/MFT/GdAPI	75/MFT/GdAP3	75/MFT/GdAP7	75/MFT/GdAP6	75/MFT/GdAE			75/MFT/GdAA2	75/MFT/GdAA3
		375	382	414	409	425	406	452	429			465	469
75GcA	ITEM	75/MFT/GcA0	75/MFT/GcAB10	75/MFT/GcAF	75/MFT/GcAPI	75/MFT/GcAP3	75/MFT/GcAP7	75/MFT/GcAP6	75/MFT/GcAE			75/MFT/GcAA2	75/MFT/GcAA3
		410	416	449	437	453	434	480	464			533	537
75SR	ITEM	75/MFT/SR0	75/MFT/SRB10	75/MFT/SRF	75/MFT/SRPI	75/MFT/SRP3	75/MFT/SRP7	75/MFT/SRP6	75/MFT/SRE	75/MFT/SREL	75/MFT/SRC	75/MFT/SRA2	75/MFT/SRA3
		302	306	341	332	348	329	375	356	374	365	392	396
75SRd	ITEM	75/MFT/SRd0	75/MFT/SRdB10	75/MFT/SRdF	75/MFT/SRdPI	75/MFT/SRdP3	75/MFT/SRdP7	75/MFT/SRdP6	75/MFT/SRdE	75/MFT/SRdEL	75/MFT/SRdC	75/MFT/SRdA2	75/MFT/SRdA3
		339	343	378	369	385	366	412	393	411	402	429	433
75N	ITEM	75/MFT/N0	75/MFT/NB10	75/MFT/NF	75/MFT/NPI	75/MFT/NP3	75/MFT/NP7	75/MFT/NP6	75/MFT/NE	75/MFT/NEL	75/MFT/NC	75/MFT/NA2	75/MFT/NA3
		281	285	317	310	326	307	353	332	350	344	371	375
75Nd	ITEM	75/MFT/Nd0	75/MFT/NdB10	75/MFT/NdF	75/MFT/NdPI	75/MFT/NdP3	75/MFT/NdP7	75/MFT/NdP6	75/MFT/NdE	75/MFT/NdEL	75/MFT/NdC	75/MFT/NdA2	75/MFT/NdA3
		309	313	346	339	355	336	382	360	378	372	399	403

Compressivi girevoli con freno Serie 80/MFT nelle varie tipologie di fissaggi, ruote assemblate
 Swivel castors with brake 80/MFT Series in the different types of fixings, assembled wheels

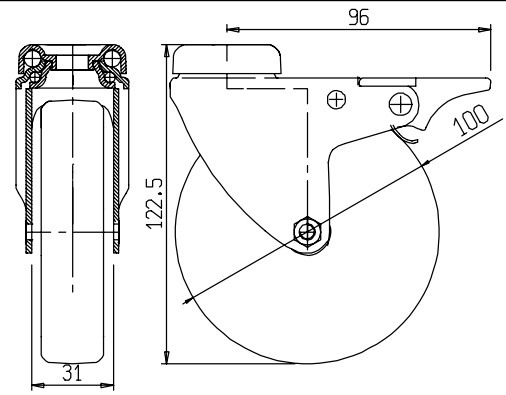
Requisiti dei Compressivi assemblati alle varie Ruote Requirements of the castors assembled with the different wheels		G	Gd	Gc	GdA	GcA	SR	SRd	N	Nd
Portata Dinamica conforme UNI EN 12527 Dynamic load capacity conform UNI EN 12527		60	60	60	-	-	70	70	30	30
Portata Statica conforme UNI EN 12527 Static load capacity conform UNI EN 12527		90	90	90	-	-	105	105	45	45
Resistenza Passiva del Dispositivo Frenante Conforme UNI EN 12527 Passive resistance of braking device in compliance with UNI EN 12527		12	12	12	-	-	-	-	4	4
Conduttività Elettrica conforme UNI EN 12527 Electric conductivity in compliance with UNI EN 12527		Ω _{hom}		< 10.000						



ITEM		Rondella Washer	B10 Ø10.2 a Richiesta On request BB Ø9	F M10 M12 CH9	PI 60x60	P3 77x67	P7 68.5x48	P6 92x65	E	EL Expanders	C	A2	A3	
8123		5	-											
= Peso per 1 pezzo = Weight for a piece														
80G		ITEM	80/MFT/G0	80/MFT/GB10	80/MFT/GF	80/MFT/GPI	80/MFT/GP3	80/MFT/GP7	80/MFT/GP6	80/MFT/GE	80/MFT/GEL	80/MFT/GC	80/MFT/GA2	80/MFT/GA3
			354	361	393	384	400	381	427	408	427	417	444	448
80Gd		ITEM	80/MFT/Gd0	80/MFT/GdB10	80/MFT/GdF	80/MFT/GdPI	80/MFT/GdP3	80/MFT/GdP7	80/MFT/GdP6	80/MFT/GdE	80/MFT/GdEL	80/MFT/GdC	80/MFT/GdA2	80/MFT/GdA3
			372	371	411	402	418	399	445	426	444	435	457	461
80Gc		ITEM	80/MFT/Gc0	80/MFT/GcB10	80/MFT/GcF	80/MFT/GcPI	80/MFT/GcP3	80/MFT/GcP7	80/MFT/GcP6	80/MFT/GcE	80/MFT/GcEL	80/MFT/GcC	80/MFT/GcA2	80/MFT/GcA3
			430	434	466	460	476	457	503	481	506	493	520	524
80GdA		ITEM	80/MFT/GdA0	80/MFT/GdAB10	80/MFT/GdAF	80/MFT/GdAPI	80/MFT/GdAP3	80/MFT/GdAP7	80/MFT/GdAP6	80/MFT/GdAE			80/MFT/GdAA2	80/MFT/GdAA3
			391	390	430	421	437	418	464	445			476	480
80GcA		ITEM	80/MFT/GcA0	80/MFT/GcAB10	80/MFT/GcAF	80/MFT/GcAPI	80/MFT/GcAP3	80/MFT/GcAP7	80/MFT/GcAP6	80/MFT/GcAE			80/MFT/GcAA2	80/MFT/GcAA3
			430	434	466	460	476	457	503	481			520	524
80SR		ITEM	80/MFT/SR0	80/MFT/SRB10	80/MFT/SRF	80/MFT/SRPI	80/MFT/SRP3	80/MFT/SRP7	80/MFT/SRP6	80/MFT/SRE	80/MFT/SREL	80/MFT/SRC	80/MFT/SRA2	80/MFT/SRA3
			305	309	341	335	351	332	378	356	381	368	395	399
80SRd		ITEM	80/MFT/SRd0	80/MFT/SRdB10	80/MFT/SRdF	80/MFT/SRdPI	80/MFT/SRdP3	80/MFT/SRdP7	80/MFT/SRdP6	80/MFT/SRdE	80/MFT/SRdEL	80/MFT/SRdC	80/MFT/SRdA2	80/MFT/SRdA3
			323	327	359	353	369	350	396	374	399	386	413	417
80N		ITEM	80/MFT/N0	80/MFT/NB10	80/MFT/NF	80/MFT/NPI	80/MFT/NP3	80/MFT/NP7	80/MFT/NP6	80/MFT/NE	80/MFT/NEL	80/MFT/NC	80/MFT/NA2	80/MFT/NA3
			286	293	325	316	332	313	359	340	358	349	376	380
80Nd		ITEM	80/MFT/Nd0	80/MFT/NdB10	80/MFT/NdF	80/MFT/NdPI	80/MFT/NdP3	80/MFT/NdP7	80/MFT/NdP6	80/MFT/NdE	80/MFT/NdEL	80/MFT/NdC	80/MFT/NdA2	80/MFT/NdA3
			314	318	353	344	360	341	387	368	386	377	404	408

Compressivi girevoli con freno Serie 100/MFT nelle varie tipologie di fissaggi, ruote assemblate
Swivel castors with brake 100/MFT Series in the different types of fixings, assembled wheels

Requisiti dei Compressivi assemblati alle varie Ruote Requirements of the castors assembled with the different wheels		G	Gd	Gcc	GdA	GcA	SR	SRd	N	Nd
Portata Dinamica conforme UNI EN 12527 Dynamic load capacity conform UNI EN 12527		60	60	60	-	-	80	80	20	20
Portata Statica conforme UNI EN 12527 Static load capacity conform UNI EN 12527		90	90	90	-	-	120	120	30	30
Resistenza Passiva del Dispositivo Frenante Conforme UNI EN 12527 Passive resistance of braking device in compliance with UNI EN 12527		7	7	7	-	-	-	-	-	-
Conducibilit� Elettrica conforme UNI EN 12527 Electric conductivity in compliance with UNI EN 12527	Ω hom	< 10.000								



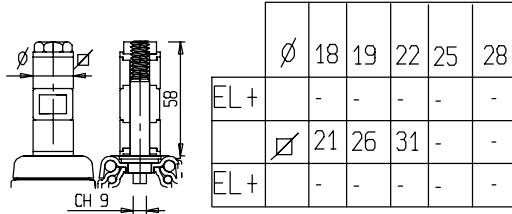
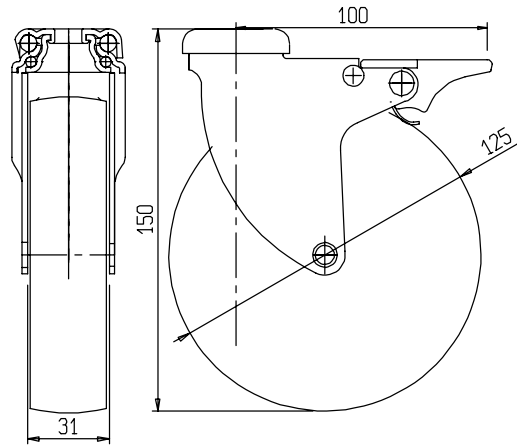
	18	19	22	25	28
EL +	-	-	-	-	-
	21	26	31	-	-
EL +	-	-	-	-	-

CH 9

ITEM		Rondella Washer	B10 ϕ 10.2 a Richiesta On request B8 ϕ 9	F M10 M12 CH9	PI 60x60	P3 77x67	P7 68.5x48	P6 92x65	E	EL + Expansori Expanders	C	A2	A3	
8123														
ϕ		ϕ 12.2	ϕ 10.2	CH9					CH9	CH9				
ϕ														
100G		ITEM	100/MFT/G0	100/MFT/GB10	100/MFT/GF	100/MFT/GPI	100/MFT/GP3	100/MFT/GP7	100/MFT/GP6	100/MFT/GE	100/MFT/GEL	100/MFT/GC	100/MFT/GA2	100/MFT/GA3
ϕ			428	432	459	459	475	456	502	482	500	491	518	522
100Gd		ITEM	100/MFT/Gd0	100/MFT/GdB10	100/MFT/GdF	100/MFT/GdPI	100/MFT/GdP3	100/MFT/GdP7	100/MFT/GdP6	100/MFT/GdE	100/MFT/GdEL	100/MFT/GdC	100/MFT/GdA2	100/MFT/GdA3
ϕ			449	458	490	479	495	476	522	513	531	512	539	543
100Gcc		ITEM	100/MFT/Gcc0	100/MFT/Gccb10	100/MFT/GccF	100/MFT/GccPI	100/MFT/GccP3	100/MFT/GccP7	100/MFT/GccP6	100/MFT/GccE	100/MFT/GccEL	100/MFT/GccC	100/MFT/GccA2	100/MFT/GccA3
ϕ			459	463	490	489	505	486	532	514	532	521	549	553
100GdA		ITEM	100/MFT/GdA0	100/MFT/GdAB10	100/MFT/GdAF	100/MFT/GdAPI	100/MFT/GdAP3	100/MFT/GdAP7	100/MFT/GdAP6	100/MFT/GdAE			100/MFT/GdAA2	100/MFT/GdAA3
ϕ			465	474	506	495	511	492	538	529			555	559
100GcA		ITEM	100/MFT/GcA0	100/MFT/GcAB10	100/MFT/GcAF	100/MFT/GcAPI	100/MFT/GcAP3	100/MFT/GcAP7	100/MFT/GcAP6	100/MFT/GcAE			100/MFT/GcAA2	100/MFT/GcAA3
ϕ			506	510	537	536	552	533	579	561			596	600
100SR		ITEM	100/MFT/SR0	100/MFT/SRB10	100/MFT/SRF	100/MFT/SRPI	100/MFT/SRP3	100/MFT/SRP7	100/MFT/SRP6	100/MFT/SRE	100/MFT/SREL	100/MFT/SRC	100/MFT/SRA2	100/MFT/SRA3
ϕ			365	370	396	395	411	392	438	420	438	428	455	459
100SRd		ITEM	100/MFT/SRd0	100/MFT/SRdB10	100/MFT/SRdF	100/MFT/SRdPI	100/MFT/SRdP3	100/MFT/SRdP7	100/MFT/SRdP6	100/MFT/SRdE	100/MFT/SRdEL	100/MFT/SRdC	100/MFT/SRdA2	100/MFT/SRdA3
ϕ			394	397	422	439	455	436	482	548	566	457	484	488
100N		ITEM	100/MFT/N0	100/MFT/NB10	100/MFT/NF	100/MFT/NPI	100/MFT/NP3	100/MFT/NP7	100/MFT/NP6	100/MFT/NE	100/MFT/NEL	100/MFT/NC	100/MFT/NA2	100/MFT/NA3
ϕ			335	339	371	365	381	362	408	394	412	398	425	429
100Nd		ITEM	100/MFT/Nd0	100/MFT/NdB10	100/MFT/NdF	100/MFT/NdPI	100/MFT/NdP3	100/MFT/NdP7	100/MFT/NdP6	100/MFT/NdE	100/MFT/NdEL	100/MFT/NdC	100/MFT/NdA2	100/MFT/NdA3
ϕ			375	379	411	405	421	402	448	434	452	438	465	469

Compressivi girevoli con freno Serie 125/MFT nelle varie tipologie di fissaggi, ruote assemblate
Swivel castors with brake 125/MFT Series in the different types of fixings, assembled wheels

Requisiti dei Compressivi assemblati alle varie Ruote Requirements of the castors assembled with the different wheels	G	Gd
Portata Dinamica conforme UNI EN 12527 Dynamic load capacity conform UNI EN 12527	D	65 65
Portata Statica conforme UNI EN 12527 Static load capacity conform UNI EN 12527	S	97.5 97.5
Resistenza Passiva del Dispositivo Frenante Conforme UNI EN 12527 Passive resistance of braking device in compliance with UNI EN 12527	FT	- -



ITEM		Rondella Washer	B10 ∅10.2 a Richiesta On request BB ∅9	F M10 M12 CH9	PI 60x60	P3 77x67	P7 68.5x48	P6 92x65	E	EL + Espansori Expanders	C	A2	A3	
8123	-													
	Peso per 1 pezzo Weight for a piece	∅12,2	∅10,2	CH9					CH9	CH9				
125G	ITEM	125/MFT/G0	125/MFT/GB10	125/MFT/GF	125/MFT/GPI	125/MFT/GP3	125/MFT/GP7	125/MFT/GP6	125/MFT/GE	125/MFT/GEL	125/MFT/GC	125/MFT/GA2	125/MFT/GA3	
		571	573	601	617	598	610	644	624	642	634	659	663	
125Gd	ITEM	125/MFT/Gd0	125/MFT/GdB10	125/MFT/GdF	125/MFT/GdPI	125/MFT/GdP3	125/MFT/GdP7	125/MFT/GdP6	125/MFT/GdE	125/MFT/GdEL	125/MFT/GdC	125/MFT/GdA2	125/MFT/GdA3	
		620	624	652	654	670	651	693	684	702	695	719	723	

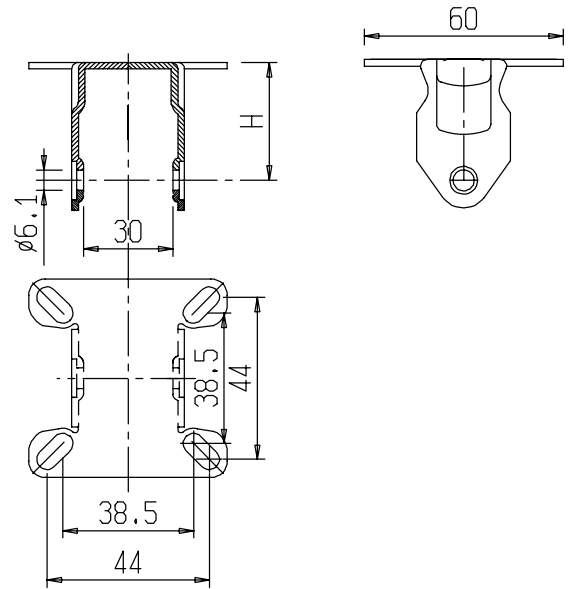
Supporti fissi Serie M per i vari Diametri di Ruote Fixed forks of the M series for the various wheels diameters

Materiale: Lamiera ferro secondo standard EN 10130
 Trattamento superficiale: Zincatura passivata UNI ISO 2081
 Material: Iron sheet subject to EN 10130
 Surface treatment: passivated galvanisation subject to UNI ISO 2081

Portata statica conforme UNI EN 12527 *
 Static load capacity conform UNI EN 12527 *

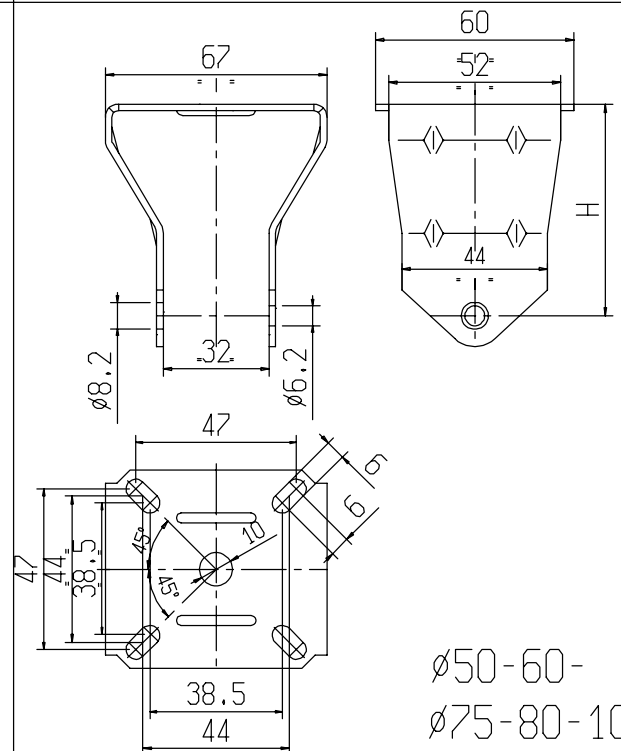
= Peso per 1 pezzo
 = Weight for a piece

ITEM	35/M/SF
H	35.6
S	150
Gr	-



Ø35

ITEM	50/M/SF	60/M/SF	75-80/M/SF	100/M/SF
H	47	52.5	63.5	72.5
S	75	75	90	90
Gr	131	143	154	160



Ø50-60-
Ø75-80-100

* La portata statica indicata per i soli supporti corrisponde a 1.5 portata dinamica verificata secondo UNI 12527 montando una ruota in Nylon

* The static load capacity mentioned for the only forks correspond to 1.5 of dynamic load capacity checked according to UNI 12527 assembling with a nylon wheel

Compressivi fissi Serie M nelle varie tipologie di diametri, ruote assemblate

Fixed castors M Series in the various types of diameters, assembled wheels

Requisiti dei Compressivi assemblati alle varie Ruote Requirements of the castors assembled with the different wheels		Portata Statica conforme UNI EN 12527 Static load capacity conform UNI EN 12527									
Portata Dinamica conforme UNI EN 12527 Dynamic load capacity conform UNI EN 12527		Portata Statica conforme UNI EN 12527 Static load capacity conform UNI EN 12527									
 G _r = Peso per 1 pezzo G _r = Weight for a piece											
G	ITEM	50/M/SFG	60/M/SFG	75/M/SFG	80/M/SFG	100/M/SFG					
		40	30	60	60	60					
		60	45	90	90	90					
Gd	ITEM	50/M/SFGd	60/M/SFGd	75/M/SFGd	80/M/SFGd	100/M/SFGd					
		40	30	60	60	60					
		60	45	90	90	90					
Gc	ITEM				80/M/SFGc						
					60						
					90						
Gcc	ITEM	50/M/SFGcc	60/M/SFGcc	75/M/SFGcc		100/M/SFGcc					
		40	30	60		60					
		60	45	90		90					
PUC	ITEM	35/M/SFPUc	50/M/SFPU	60/M/SFPU	75/M/SFPU						
		130	80	90	-						
		195	120	135	-						
GdA	ITEM	50/M/SFGdA	60/M/SFGdA	75/M/SFGdA	80/M/SFGdA	100/M/SFGdA					
		-	-	-	-	-					
		215	242	304	320	397					
GcA	ITEM	50/M/SFGcA	60/M/SFGcA	75/M/SFGcA	80/M/SFGcA	100/M/SFGcA					
		-	-	-	-	-					
		248	279	301	356	427					
SR	ITEM	50/M/SFSR	60/M/SFSR	75/M/SFSR	80/M/SFSR	100/M/SFSR					
		-	40	70	70	-					
		-	60	105	105	-					
SRd	ITEM			75/M/SFSRd	80/M/SFSRd	100/M/SFSRd					
				70	70	-					
				105	105	-					
N	ITEM	50/M/SFN	60/M/SFN	75/M/SFN	80/M/SFN	100/M/SFN					
		60	70	80	70	70					
		90	105	120	105	105					
Nd	ITEM	50/M/SFNd	60/M/SFNd	75/M/SFNd	80/M/SFNd	100/M/SFNd					
		60	70	80	70	70					
		90	105	120	105	105					
		191	203	235	242	301					

