

Requisiti Ruote Serie L  $\varnothing$ 30 36 40 45 50, nelle varie tipologie di: Battistrada, Organi di Rotolamento  
 L series wheels Requirements from:  $\varnothing$ 30 to  $\varnothing$ 50 in the various types of, Tyres, Rolling parts

Ruota tipo	Wheel type	G	Gd	GCC	GdA	GcA	PU	SR	SRd	N	Nd		
Catteristiche del Battistrada Tyre characteristics		Gomma Grigia Grey Rubber		Anello Gomma Grigia Grey Rubber Ring	Anello Gomma Conduttiva Nera Conductive Black Rubber Ring		Poluretano Colore Arancio Polyurethane Orange Color	Gomma Sintetica Synthetic Rubber			Ruota Monolitica Nylon Nero Black Nylon Monolithic Wheel		
Durezza del Battistrada conforme UNI EN 12527 Tyre hardness in compliance with UNI EN 12527		76	76	76	85	85	85	78		>100	>100		
Temperature di Utilizzo Raccomandate Recommended working temperatures	Max- Min-	+70°C -30°C	+70°C -30°C	+70°C -30°C	+40°C -5°C	+40°C -5°C	+40°C -5°C	+60°C -10°C		+40°C 0°C	+40°C 0°C		
Catteristiche del Nucleo Wheel centre characteristics		Polipropilene Nero Black Polypropylene		Nylon Nero Black Nylon	Nylon Nero Conduttivo Conductive Black Nylon		Nylon Bianco White Nylon	Polipropilene Grigio Grey Polypropylene					
Catteristiche del Mozzo Hub characteristics		Foro Liscio Plain Bearing	Tubo Parafilo Tube Threadguard	Cuscinetto a Sfera Parafilo Ball Bearing Threadguard	Foro Liscio Plain Bearing	Cuscinetto a Sfera Parafilo Ball Bearing Threadguard	Foro Liscio Plain Bearing	Foro Liscio Plain Bearing	Tubo Parafilo Tube Threadguard	Foro Liscio Plain Bearing	Tubo Parafilo Tube Threadguard		
Portata Dinamica conforme UNI EN 12527 Dynamic load capacity conform UNI EN 12527		D		Resistenza al Rotolamento (FR) alla Portata Nominale Rolling resistance (FR) at rated capacity								FR	$\frac{W}{A}$ = Peso per 1 pezzo $\frac{W}{A}$ = Weight for a piece
Portata Statica conforme UNI EN 12527 Static load capacity conform UNI EN 12527		S		Resistenza al Superamento Ostacolo (FO) alla Portata Nominale Obstacle overcoming resistance (FO) at rated capacity								FO	H ostacolo = 1% $\varnothing$ della Ruota Min 0.5 mm Obstacle H=1% of wheel, min. 0.5 mm
ITEM							30LPU	30LSR		30LN			
A							30	30		30			
C							6 OR 8	6 OR 8		6 OR 8			
							45	30		50			
							67.5	45		75			
							2.7	1.5		1.4			
							4.0	4.5		6.0			
							30	20		17			
ITEM							36LPU	36LSR		36LN			
A							36	36		36			
C							6 OR 8	6 OR 8		6 OR 8			
							55	30		25			
							82.5	45		35			
							0.6	0.6		1.0			
							3.5	3.5		5.4			
							14	12		12			
ITEM	40LG	40LGd					40LPU	40LSR	40LSRd	40LN			
A	40	40					40	40	40	40			
C	8	6					8	8	6	8			
	40	40					60	30	30	40			
	60	60					90	45	45	60			
	40	40					2.7	0.6	0.6	1.6			
	4.0	4.0					4.0	3.5	3.5	7.3			
	18	28					21	14	18	16			
ITEM										45LN			
A										45			
C										-			
										30			
										45			
										1.5			
										6.3			
										22			
ITEM	50LG	50LGd	50LGCC	50LGdA	50LGcA	50LPU	50LSR	50LSRd	50LN	50Nd			
A	50	50	50	50	50	50	50	50	50	50	50		
C	8	6	6	6	6/8	8	8	6	8	6	6		
	30	30	40	40	40	80	30	30	60	60	60		
	45	45	60	60	60	120	45	45	90	90	90		
	2.7	2.7	2.7	2.7	2.7	2.7	1.5	1.5	1.4	1.4	1.4		
	4.0	4.0	4.0	4.0	4.0	4.0	4.5	4.5	6.0	6.0	6.0		
	31	41	42	45	74	30	20	32	17	33	33		

# Requisiti Ruote Serie Lø60 75, nelle varie tipologie di: Battistrada, Organi di Rotolamento L series wheels Requirements, ø60 ø75, in the various types of: Tyres, Rolling parts

Ruota tipo Wheel type	G	Gd	Gc	GdA	GcA	PU	SR	SRd	N	Nd
Catteristiche del Battistrada Tyre characteristics	Gomma Grigia Grey Rubber		Anello Gomma Grigia Grey Rubber Ring	Anello Gomma Conduttiva Nera Conductive Black Rubber Ring		Polipropilene Orange Color	Gomma Sintetica Synthetic Rubber		Ruota Monolitica Nylon Nero Black Nylon Monolithic Wheel	
Durezza del Battistrada conforme UNI EN 12527 Tyre hardness in compliance with UNI EN 12527	76	76	76	85	85	85	78		>100	>100
Temperature di Utilizzo Raccomandate Recommended working temperatures	Max- +70°C Min- -30°C		+70°C -30°C	+40°C -5°C	+40°C -5°C	+40°C -5°C	+60°C -10°C		+40°C 0°C	+40°C 0°C
Catteristiche del Nucleo Wheel centre characteristics	Polipropilene Nero Black Polypropylene		Nylon Nero Black Nylon	Nylon Nero Conduttivo Conductive Black Nylon		Nylon Bianco White Nylon	Polipropilene Grigio Grey Polypropylene			
Catteristiche del Mozzo Hub characteristics	Foro Liscio Plain Bearing	Tubo Parafilo Tube Threadguard	Cuscinetto a Sfera Parafilo Ball Bearing Threadguard	Foro Liscio Plain Bearing	Cuscinetto a Sfera Parafilo Ball Bearing Threadguard	Foro Liscio Plain Bearing	Foro Liscio Plain Bearing	Tubo Parafilo Tube Threadguard	Foro Liscio Plain Bearing	Tubo Parafilo Tube Threadguard
Portata Dinamica conforme UNI EN 12527 Dynamic load capacity conform UNI EN 12527	D		Resistenza al Rotolamento (FR) alla Portata Nominale Rolling resistance (FR) at rated capacity							
Portata Statica conforme UNI EN 12527 Static load capacity conform UNI EN 12527	S		Resistenza al Superamento Ostacolo (FO) alla Portata Nominale H ostacolo=1% ø della Ruota Min 0.5 mm Obstacle overcoming resistance (FO) at rated capacity Obstacle H=1% of wheel, min.0.5 mm							

ITEM	60LG	60LGd				60LN	60LNd	
A	60	60				60	60	
D	32	32				32	32	
S	45	45				45	45	
FR	2.45	2.45				1.37	1.37	
FO	4.0	4.0				6.0	6.0	
G	60	72				25	43	
ITEM	75LG	75LGd				75LN	75LNd	
A	75	75				75	75	
D	35	35				35	35	
S	50	50				50	50	
FR	1.4	1.4				1.0	1.0	
FO	4.0	4.0				6.5	6.5	
G	77	85				34	56	

# Assali, Cuscinetto e Parafili per Ruote Serie L

## Axles, Bearings and thread guards for castors of the L series

Raccomandazione Adozione Assali per le varie tipologie di Ruote

Recommendation for the adoption of axles in the different types of wheels

L/G	L/Gd-GdA	L/GCC	L/PU	L/SR	L/SRd	L/N	L/Nd
ITEM 62 291	ITEM 78 291	ITEM 78 291	ITEM 62 291	ITEM 62 291	ITEM 78 291	ITEM 55 -	ITEM 73 -
ITEM 55 -	ITEM 73 -	ITEM 73 -	ITEM 55 -	ITEM 55 -	ITEM 73 -	ITEM 62 291	ITEM 78 291
ITEM 980 -	ITEM 980 -	ITEM - -	ITEM - -	ITEM - -	ITEM 980 -	ITEM - -	ITEM 980 -
ITEM 62 13	ASSE VITE (624/RID) SCREW AXLE (624/RID)	ITEM 78 9	ASSE RID/M6x30 SCREW RID/M6x30	ITEM 291 2	M6 M6	ITEM 599 15	
ITEM 55 11	ASSE RIB (4050/ASR) RIVETED AXLE (4050/ASR)	ITEM 73 7	ASSE RIB ASS/M6x28 RIVETED AXLE ASS/M6x28	ITEM 980 4	TUBINO 8x1x22 TUBE 8x1x22		
ITEM 389 3	PARAFILI NYLON GRIS per RUOTE 40LGd GREY NYLON THREADGUARD for WHEELS 40LGd			ITEM 391 3	PARAFILI per RUOTE 40LSRd/50LGdA THREADGUARDS for WHEELS 40LSRd/50LGdA		
ITEM 362 2	PARAFILI per RUOTE 50LGd THREADGUARDS for WHEELS 50LGd	ITEM 391 395	PARAFILI per RUOTE 50LGcA THREADGUARDS for WHEELS 50LGcA	ITEM 363 2	PARAFILI per RUOTE 50LSRd THREADGUARDS for WHEELS 50LSRd	ITEM 396 6	PARAFILI per RUOTE 50LNd THREADGUARDS for WHEELS 50LNd
ITEM 363 2	PARAFILI per RUOTE 60LGd THREADGUARDS for WHEELS 60LGd	ITEM 377 1.20	PARAFILI NYLON GRIS per RUOTE 50LGCC GREY NYLON THREADGUARD for WHEELS 50LGCC			ITEM 400 2	PARAFILI per RUOTE 60LNd THREADGUARDS for WHEELS 60LNd
ITEM 397 9	PARAFILI per RUOTE 75LGd THREADGUARDS for WHEELS 75LGd					ITEM 410 2	PARAFILI per RUOTE 75LNd THREADGUARDS for WHEELS 75LNd

= Peso per 1 pezzo  
 = Weight for a piece

# Gamma di Fissaggi Standard per Supporti Serie L LFT

## Range of standard fixings for forks of the L and LFT series

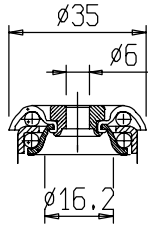
A Foro Passante M6  
per Vite di Fissaggio Imbus M6x20 (\*)  
With bolt hole of  $\varnothing 6$  for fixing  
screw imbus M6x20 (\*)

A Foro Passante  $\varnothing 8,2$   
per Vite di Fissaggio Imbus M8x20 (\*)  
With bolt hole of  $\varnothing 8,2$  for fixing  
screw imbus M8x20 (\*)

A Foro Passante  $\varnothing 10,2$   
per Vite di Fissaggio Imbus M10x20 (\*)  
With bolt hole of  $\varnothing 10,2$  for fixing  
screw imbus M10x20 (\*)

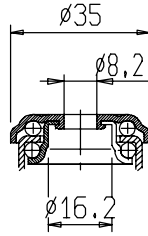
A Perno Filettato Rivettato  
Dimensioni a Tabella da Specificare  
sempre all'ordine.  
With riveted thread stem, dimensions as  
per table to be specified when placing  
order.

B6



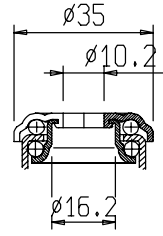
\* Lunghezza della Vite Inseribile  
con Ruota Assemblata  
Length of screw that can be inserted  
with assembled wheel

B8



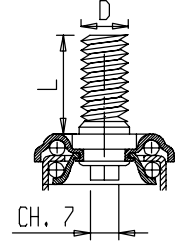
\* Lunghezza della Vite Inseribile  
con Ruota Assemblata  
Length of screw that can be inserted  
with assembled wheel

B10



\* Lunghezza della Vite Inseribile  
con Ruota Assemblata  
Length of screw that can be inserted  
with assembled wheel

F

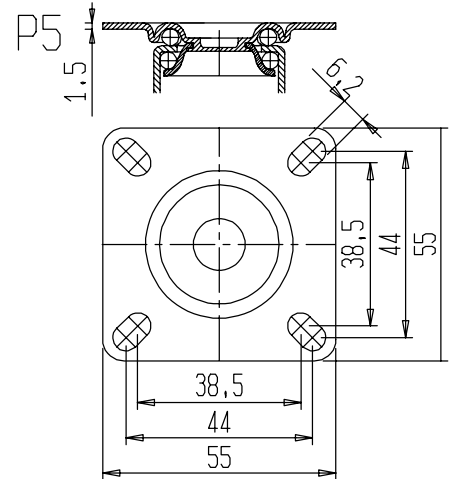
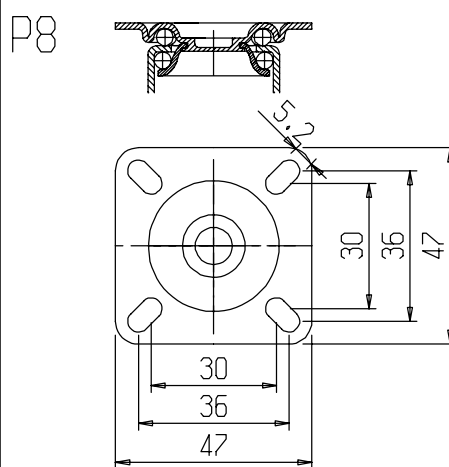
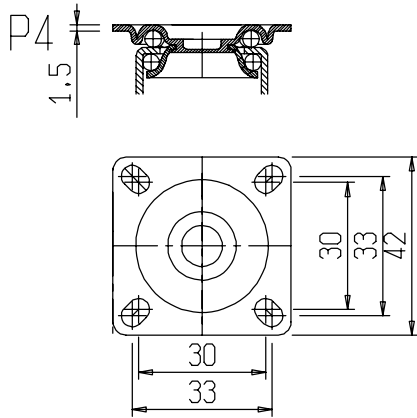


D	M10	M8
L	15-20-30	15

Fissaggio a Piastra Integrale P4 42x42  
Integral Plate fixing P4 42x42

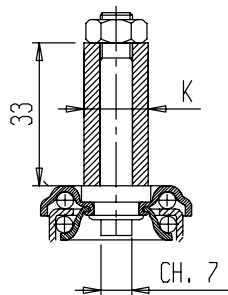
Fissaggio a Piastra Integrale P8 47x47  
Integral Plate fixing P8 47x47

Fissaggio a Piastra Integrale P5 55x55  
Integral Plate fixing P5 55x55



Fissaggio ad Espansore in Gomma per Tubo Tondo  
Le Dimensioni del Gommino Disponibili vedi  
Tabella.  
Rubber expander fixing for round tube, available  
rubber fastener dimensions per table.

E



K	16	17	18	19	22	25
---	----	----	----	----	----	----



K-Diametro Interno del Tubo  
da Specificare sempre all'Ordine.


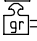
K- Inside diameter of tube, always to be  
specified when placing order.

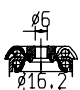
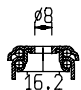
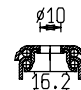
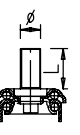
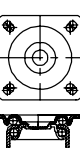


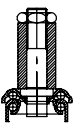
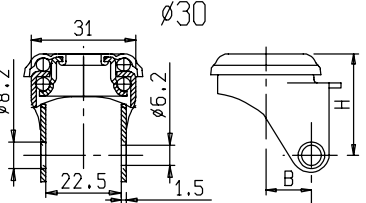


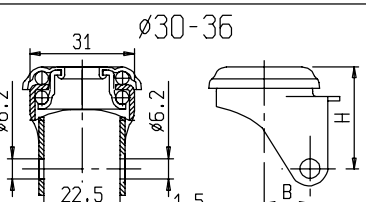


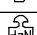
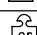
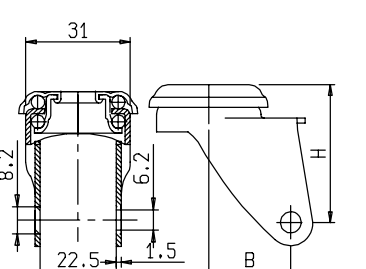


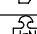
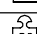
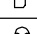

# Supporti girevoli Serie L per i vari Diametri di Ruote e Gamma di Fissaggi

## Swivel forks of the L series for the various wheels diameters and range of fixings

Materiale: Lamiera ferro secondo standard EN 10130  
 Trattamento superficiale: Zincatura passivata UNI ISO 2081  
 Corona sfere superiore: n. 18 sfere 5/32" ingrassate  
 Corona sfere inferiore: n. 18 sfere 5/32" ingrassate  
 Material: Iron sheet subject to UNI ISO 2081  
 Surface treatment: passivated galvanisation subject to UNI ISO 2081  
 Upper ball crown N. 18 greased balls 5/32  
 Lower ball crown N.18 greased balls 5/32

 S Portata Statica conforme UNI EN 12527 \*  
 S Static load capacity conform UNI EN 12527 \*

 =Peso per 1 pezzo  
 =Weight for a piece

	B6	B8	B10	F	P4	P8	P5	E	
									
ITEM	30H29/L/B6	30H29/L/B8	30H29/L/B10	30H29/L/F	30H29/L/P4	30H29/L/P8	30H29/L/P5	30H29/L/E	
H	29	29	29	29	29	29	29	29	
B	14.5	14.5	14.5	14.5	14.5	14.5	14.5	14.5	
 S	42	42	42	42	42	42	42	42	
 gr	52	52	52	75	63	74	76	103	
ITEM	30-36/L/B6	30-36/L/B8	30-36/L/B10	30-36/L/F	30-36/L/P4	30-36/L/P8	30-36/L/P5	30-36/L/E	
H	32.5	32.5	32.5	32.5	32.5	32.5	32.5	32.5	
B	14.5	14.5	14.5	14.5	14.5	14.5	14.5	14.5	
 S	42	42	42	42	42	42	42	42	
 gr	52	52	52	75	63	74	76	103	
ITEM	40/L/B8	40/L/B8	40/L/B10	40/L/F	40/L/P4	40/L/P8	40/L/P5	40/L/E	$\varnothing$ 40 50 60 75
H	39	39	39	39	39	39	39	39	
B	24.5	24.5	24.5	24.5	24.5	24.5	24.5	24.5	
 S	38	38	38	38	38	38	38	38	
 gr	62	62	62	84	73	84	86	112	
ITEM	50/L/B6	50/L/B8	50/L/B10	50/L/F	50/L/P4	50/L/P8	50/L/P5	50/L/E	
H	41.5	41.5	41.5	41.5	41.5	41.5	41.5	41.5	
B	20.5	20.5	20.5	20.5	20.5	20.5	20.5	20.5	
 S	45	45	45	45	45	45	45	45	
 gr	62	62	62	84	73	84	86	112	
ITEM	60/L/B6	60/L/B8	60/L/B10	60/L/F	60/L/P4	60/L/P8	60/L/P5	60/L/E	
H	49	49	49	49	49	49	49	49	
B	23.5	23.5	23.5	23.5	23.5	23.5	23.5	23.5	
 S	45	45	45	45	45	45	45	45	
 gr	73	73	73	95	84	95	97	123	
ITEM	75/L/B6	75/L/B8	75/L/B10	75/L/F	75/L/P4	75/L/P8	75/L/P5	75/L/E	
H	63.5	63.5	63.5	63.5	63.5	63.5	63.5	63.5	
B	28	28	28	28	28	28	28	28	
 S	50	50	50	50	50	50	50	50	
 gr	85	85	85	108	96	107	109	135	

Supporti Girevoli dotati di Freno Totale LFT per i vari Diametri di Ruote e Gamma di Fissaggi  
Swivel forks with total brake LFT for the various wheel diameters and range of fixings

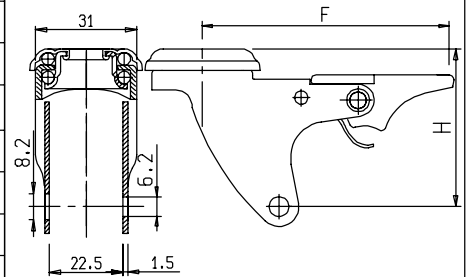
Materiale: Lamiera ferro secondo standard EN 10130  
 Trattamento superficiale: Zincatura passivata UNI ISO 2081  
 Corona sfere superiore: n. 18 sfere 5/32" ingrassate  
 Corona sfere inferiore: n. 18 sfere 5/32" ingrassate  
 Material: Iron sheet subject to UNI ISO 2081  
 Surface treatment passivated galvanisation subject to UNI ISO 2081  
 Upper ball crown N. 18 greased balls 5/32  
 Lower ball crown N.18 greased balls 5/32

S Portata Statica conforme UNI EN 12527 \*  
 S Static load capacity conform UNI EN 12527 \*

=Peso per 1 pezzo  
 =Weight for a piece

	B6	B8	B10	F	P4	P8	P5	E
ITEM	40/LFT/B6	40/LFT/B8	40/LFT/B10	40/LFT/F	40/LFT/P4	40/LFT/P8	40/LFT/P5	40/LFT/E
H	39	39	39	39	39	39	39	39
F	78	78	78	78	78	78	78	78
S	39	39	39	39	39	39	39	39
	88	88	88	110	99	110	112	138
ITEM	50/LFT/B6	50/LFT/B8	50/LFT/B10	50/LFT/F	50/LFT/P4	50/LFT/P8	50/LFT/P5	50/LFT/E
H	41.5	41.5	41.5	41.5	41.5	41.5	41.5	41.5
F	78	78	78	78	78	78	78	78
S	45	45	45	45	45	45	45	45
	88	88	88	110	99	110	112	138
ITEM	60/LFT/B6	60/LFT/B8	60/LFT/B10	60/LFT/F	60/LFT/P4	60/LFT/P8	60/LFT/P5	60/LFT/E
H	49	49	49	49	49	49	49	49
F	78.5	78.5	78.5	78.5	78.5	78.5	78.5	78.5
S	45	45	45	45	45	45	45	45
	103	103	103	125	114	125	127	153
ITEM	75/LFT/B6	75/LFT/B8	75/LFT/B10	75/LFT/F	75/LFT/P4	75/LFT/P8	75/LFT/P5	75/LFT/E
H	63.5	63.5	63.5	63.5	63.5	63.5	63.5	63.5
F	78	78	78	78	78	78	78	78
S	50	50	50	50	50	50	50	50
	112	112	112	134	123	134	136	162

ø40 50 60 75



Compressivi girevoli Serie 30-36/L nelle varie tipologie di: Fissaggi, Ruote assemblate.  
Swivel castors of the 30-36/L series with different types of fixings, assembled wheels

Requisiti dei Compressivi assemblati alle varie Ruote Requirements of the castors assembled with the different wheels	PU	SR	N
Portata Dinamica conforme UNI EN 12527 Dynamic load capacity conform UNI EN 12527	D	35	20
Portata Statica conforme UNI EN 12527 Static load capacity conform UNI EN 12527	S	52	30

B6 = Peso per 1 pezzo B6 = Weight for a piece	B6	B8	B10	F	P4	P8	P5	E

	ITEM	30/L/H44NB6	30/L/H44NB8	30/L/H44NB10	30/L/H44NF	30/L/H44NP4	30/L/H44NP8	30/L/H44NP5	30/L/H44NE
		66	66	66	88	77	88	90	117

	ITEM	30/L/H44PUB6	30/L/H44PUB8	30/L/H44PUB10	30/L/H44PUF	30/L/H44PUP4	30/L/H44PUP8	30/L/H44PUP5	30/L/H44PUE
		-	-	-	-	-	-	-	-

	ITEM	30/L/H44SRB6	30/L/H44SRB8	30/L/H44SRB10	30/L/H44SRF	30/L/H44SRP4	30/L/H44SRP8	30/L/H44SRP5	30/L/H44SRE
		64	64	64	86	75	86	88	115

	ITEM	30/L/NB6	30/L/NB8	30/L/NB10	30/L/NF	30/L/NP4	30/L/NP8	30/L/NP5	30/L/NE
		71	71	71	93	82	93	95	122

	ITEM	30/L/PUB6	30/L/PUB8	30/L/PUB10	30/L/PUF	30/L/PUP4	30/L/PUP8	30/L/PUP5	30/L/PUE
		-	-	-	-	-	-	-	-

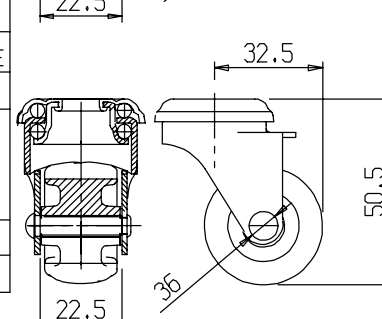
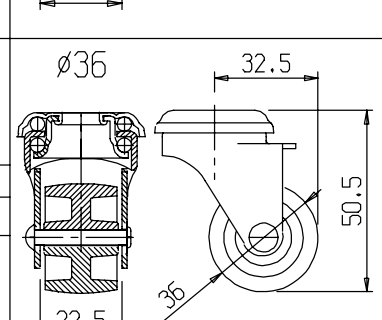
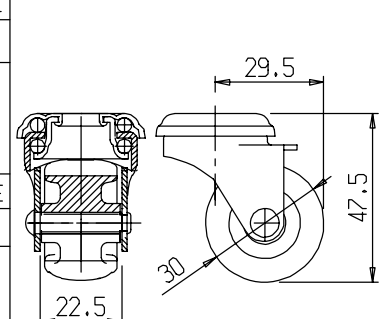
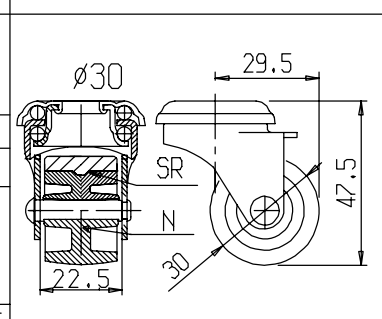
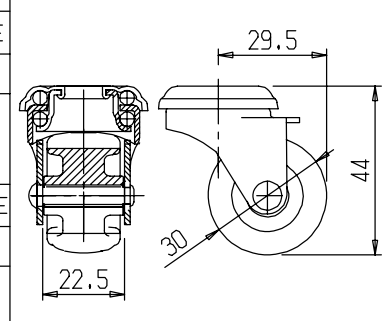
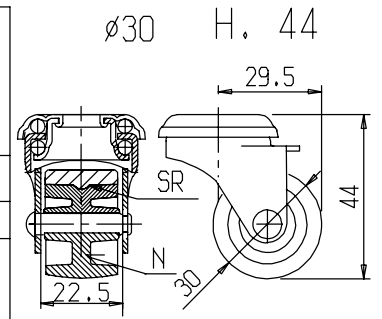
	ITEM	30/L/SRB6	30/L/SRB8	30/L/SRB10	30/L/SRF	30/L/SRP4	30/L/SRP8	30/L/SRP5	30/L/SRE
		69	69	69	91	80	91	93	120

Requisiti dei Compressivi assemblati alle varie Ruote Requirements of the castors assembled with the different wheels	PU	SR	N
Portata Dinamica conforme UNI EN 12527 Dynamic load capacity conform UNI EN 12527	D	40	20
Portata Statica conforme UNI EN 12527 Static load capacity conform UNI EN 12527	S	60	33

	ITEM	36/L/NB6	36/L/NB8	36/L/NB10	36/L/NF	36/L/NP4	36/L/NP8	36/L/NP5	36/L/NE
		71	71	71	93	82	93	95	122

	ITEM	36/L/PUB6	36/L/PUB8	36/L/PUB10	36/L/PUF	36/L/PUP4	36/L/PUP8	36/L/PUP5	36/L/PUE
		-	-	-	-	-	-	-	-

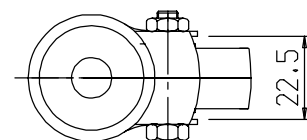
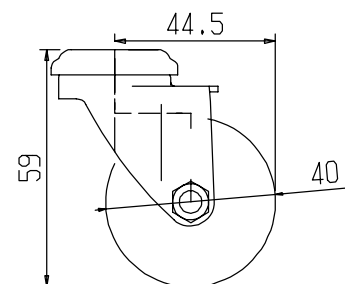
	ITEM	36/L/SRB6	36/L/SRB8	36/L/SRB10	36/L/SRF	36/L/SRP4	36/L/SRP8	36/L/SRP5	36/L/SRE
		71	71	71	93	82	93	95	122



Compressivi girevoli Serie 40/L nelle varie tipologie di:Fissaggi,Ruote assemblate.  
Swivel castors of the 40/L series with different types of fixings, assembled wheels

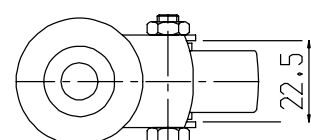
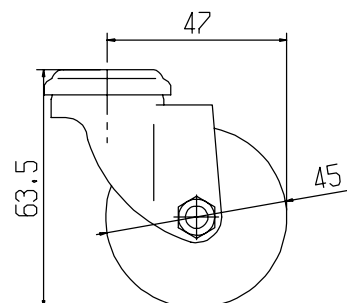
Requisiti dei Compressivi assemblati alle varie Ruote Requirements of the castors assembled with the different wheels		G	Gd	PU	SR	SRd	N		
Portata Dinamica conforme UNI EN 12527 Dynamic load capacity conform UNI EN 12527		D	40	40	60	30	30	30	
Portata Statica conforme UNI EN 12527 Static load capacity conform UNI EN 12527		S	60	60	90	45	45	45	
40G	ITEM	40/L/GB6	40/L/GB8	40/L/GB10	40/L/GF	40/L/GP4	40/L/GP8	40/L/GP5	40/L/GE
	Gr	106	106	106	128	117	128	130	156
40Gd	ITEM	40/L/GdB6	40/L/GdB8	40/L/GdB10	40/L/GdF	40/L/GdP4	40/L/GdP8	40/L/GdP5	40/L/GdE
	Gr	111	111	111	133	122	133	135	161
40PU	ITEM	40/L/PUB6	40/L/PUB8	40/L/PUB10	40/L/PUF	40/L/PUP4	40/L/PUP8	40/L/PUP5	40/L/PUE
	Gr	109	109	109	131	120	131	133	159
40SR	ITEM	40/L/SRB6	40/L/SRB8	40/L/SRB10	40/L/SRF	40/L/SRP4	40/L/SRP8	40/L/SRP5	40/L/SRE
	Gr	102	102	102	124	113	124	126	152
40SRd	ITEM	40/L/SRdB6	40/L/SRdB8	40/L/SRdB10	40/L/SRdF	40/L/SRdP4	40/L/SRdP8	40/L/SRdP5	40/L/SRdE
	Gr	105	105	105	127	116	127	129	155
40N	ITEM	40/L/NB6	40/L/NB8	40/L/NB10	40/L/NF	40/L/NP4	40/L/NP8	40/L/NP5	40/L/NE
	Gr	89	89	89	110	99	110	112	139

∅40



Requisiti dei Compressivi assemblati alle varie Ruote Requirements of the castors assembled with the different wheels		N							
Portata Dinamica conforme UNI EN 12527 Dynamic load capacity conform UNI EN 12527		D	30						
Portata Statica conforme UNI EN 12527 Static load capacity conform UNI EN 12527		S	45						
40N	ITEM	45/L/NB6	45/L/NB8	45/L/NB10	45/L/NF	45/L/NP4	45/L/NP8	45/L/NP5	45/L/NE
	Gr	91	91	91	113	102	113	115	142

∅45

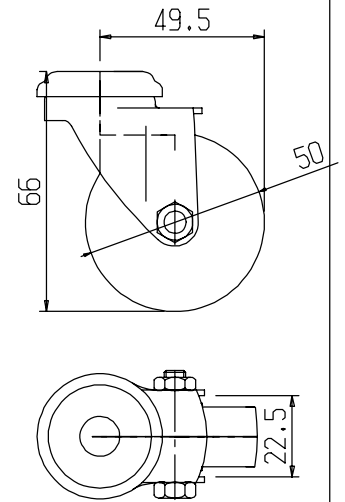




Compressivi girevoli Serie 50/L nelle varie tipologie di: Fissaggi, Ruote assemblate.  
Swivel castors of the 50/L series with different types of fixings, assembled wheels

Requisiti dei Compressivi assemblati alle varie Ruote Requirements of the castors assembled with the different wheels		G	Gd	GCC	GdA	GcA	PU	SR	SRd	N	Nd	
Portata Dinamica conforme UNI EN 12527 Dynamic load capacity conform UNI EN 12527			40	40	40	30	30	60	40	40	30	30
Portata Statica conforme UNI EN 12527 Static load capacity conform UNI EN 12527			60	60	60	45	45	90	60	60	45	45
		B6	B8	B10	F	P4	P8	P5	E			
	ITEM	50/L/GB6	50/L/GB8	50/L/GB10	50/L/GF	50/L/GP4	50/L/GP8	50/L/GP5	50/L/GE			
		109	109	109	131	120	131	133	159			
	ITEM	50/L/GdB6	50/L/GdB8	50/L/GdB10	50/L/GdF	50/L/GdP4	50/L/GdP8	50/L/GdP5	50/L/GdE			
		114	114	114	136	125	136	138	165			
	ITEM	50/L/GCCB6	50/L/GCCB8	50/L/GCCB10	50/L/GCCF	50/L/GCCP4	50/L/GCCP8	50/L/GCCP5	50/L/GCC E			
		119	119	119	141	130	141	143	170			
	ITEM	50/L/GcAB6	50/L/GcAB8	50/L/GcAB10	50/L/GcAF	50/L/GcAP4	50/L/GcAP8	50/L/GcAP5	50/L/GcAE			
		117	117	117	139	128	139	141	168			
	ITEM	50/L/GcAB6	50/L/GcAB8	50/L/GcAB10	50/L/GcAF	50/L/GcAP4	50/L/GcAP8	50/L/GcAP5	50/L/GcAE			
		156	156	156	178	167	178	202	229			
	ITEM	50/L/PUB6	50/L/PUB8	50/L/PUB10	50/L/PUF	50/L/PUP4	50/L/PUP8	50/L/PUP5	50/L/PUE			
		121	121	121	143	132	143	167	194			
	ITEM	50/L/SRB6	50/L/SRB8	50/L/SRB10	50/L/SRF	50/L/SRP4	50/L/SRP8	50/L/SRP5	50/L/SRE			
		98	98	98	118	109	120	122	147			
	ITEM	50/L/SRdB6	50/L/SRdB8	50/L/SRdB10	50/L/SRdF	50/L/SRdP4	50/L/SRdP8	50/L/SRdP5	50/L/SRdE			
		105	105	105	150	139	150	174	201			
	ITEM	50/L/NB6	50/L/NB8	50/L/NB10	50/L/NF	50/L/NP4	50/L/NP8	50/L/NP5	50/L/NE			
		91	91	91	113	102	113	115	142			
	ITEM	50/L/NdB6	50/L/NdB8	50/L/NdB10	50/L/NdF	50/L/NdP4	50/L/NdP8	50/L/NdP5	50/L/NdE			
		106	106	106	128	117	128	130	157			

Ø50

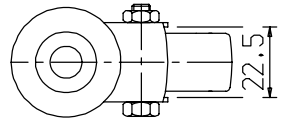
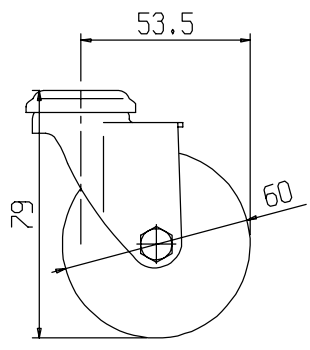


Compressivi girevoli Serie 60/L nelle varie tipologie di: Fissaggi, Ruote assemblate.  
Swivel castors of the 60/L series with different types of fixings, assembled wheels.

Requisiti dei Compressivi assemblati alle varie Ruote Requirements of the castors assembled with the different wheels	G	Gd	N	Nd	
Portata Dinamica conforme UNI EN 12527 Dynamic load capacity conform UNI EN 12527	D	45	45	20	20
Portata Statica conforme UNI EN 12527 Static load capacity conform UNI EN 12527	S	67	67	30	30

	B6	B8	B10	F	P4	P8	P5	E
-Peso per 1 pezzo -Weight for a piece								
	ITEM 60/L/GB6 160	ITEM 60/L/GB8 160	ITEM 60/L/GB10 160	ITEM 60/L/GF 182	ITEM 60/L/GP4 171	ITEM 60/L/GP8 182	ITEM 60/L/GP5 184	ITEM 60/L/GE 208
	ITEM 60/L/GdB6 182	ITEM 60/L/GdB8 182	ITEM 60/L/GdB10 182	ITEM 60/L/GdF 194	ITEM 60/L/GdP4 183	ITEM 60/L/GdP8 194	ITEM 60/L/GdP5 196	ITEM 60/L/GdE 220
ITEM 60/L/G-Gd	ITEM 60/L/G-Gd							
con Asse Rivettato With riveted axle	Nucleo Grigio Grey Centre							
	ITEM 60/L/NB6 110	ITEM 60/L/NB8 110	ITEM 60/L/NB10 110	ITEM 60/L/NF 132	ITEM 60/L/NP4 121	ITEM 60/L/NP8 132	ITEM 60/L/NP5 134	ITEM 60/L/NE 160
	ITEM 60/L/NdB6 132	ITEM 60/L/NdB8 132	ITEM 60/L/NdB10 132	ITEM 60/L/NdF 154	ITEM 60/L/NdP4 143	ITEM 60/L/NdP8 154	ITEM 60/L/NdP5 156	ITEM 60/L/NdE 182

Ø60

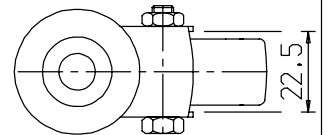
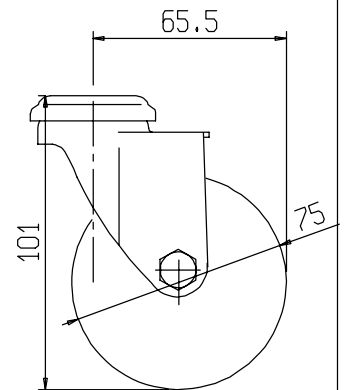


Compressivi girevoli Serie 75/L nelle varie tipologie di: Fissaggi, Ruote assemblate.  
Swivel castors of the 75/L series with different types of fixings, assembled wheels.

Requisiti dei Compressivi assemblati alle varie Ruote Requirements of the castors assembled with the different wheels	G	Gd	N	Nd	
Portata Dinamica conforme UNI EN 12527 Dynamic load capacity conform UNI EN 12527	D	36	36	20	20
Portata Statica conforme UNI EN 12527 Static load capacity conform UNI EN 12527	S	54	54	30	30

	B6	B8	B10	F	P4	P8	P5	E
-Peso per 1 pezzo -Weight for a piece								
75	ITEM 75/L/GB6 S	ITEM 75/L/GB8 S	ITEM 75/L/GB10 S	ITEM 75/L/GF S	ITEM 75/L/GP4 S	ITEM 75/L/GP8 S	ITEM 75/L/GP5 S	ITEM 75/L/GE S
	178	178	178	200	189	200	202	228
75Gd	ITEM 75/L/GdB6 S	ITEM 75/L/GdB8 S	ITEM 75/L/GdB10 S	ITEM 75/L/GdF S	ITEM 75/L/GdP4 S	ITEM 75/L/GdP8 S	ITEM 75/L/GdP5 S	ITEM 75/L/GdE S
	197	197	197	219	208	219	227	247
ITEM 75/L/G-Gd con Asse Rivettato With riveted axle	ITEM 75/L/G-Gd Nucleo Grigio Grey Centre							
75N	ITEM 75/L/NB6 S	ITEM 75/L/NB8 S	ITEM 75/L/NB10 S	ITEM 75/L/NF S	ITEM 75/L/NP4 S	ITEM 75/L/NP8 S	ITEM 75/L/NP5 S	ITEM 75/L/NE S
	131	131	131	153	142	153	155	181
75Nd	ITEM 75/L/NdB6 S	ITEM 75/L/NdB8 S	ITEM 75/L/NdB10 S	ITEM 75/L/NdF S	ITEM 75/L/NdP4 S	ITEM 75/L/NdP8 S	ITEM 75/L/NdP5 S	ITEM 75/L/NdE S
	132	132	132	154	143	154	156	182

Ø75

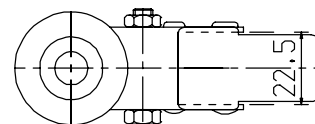
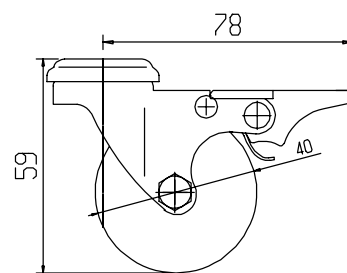


Compressivi girevoli Serie 40LFT nelle varie tipologie di: Fissaggi, Ruote assemblate.  
Swivel castors of the 40/LFT series with different types of fixings, assembled wheels

Requisiti dei Compressivi assemblati alle varie Ruote Requirements of the castors assembled with the different wheels	G	Gd	PU	SR	SRd	N
Portata Dinamica conforme UNI EN 12527 Dynamic load capacity conform UNI EN 12527	D	40	40	36	30	30
Portata Statica conforme UNI EN 12527 Static load capacity conform UNI EN 12527	S	60	60	54	45	45
Resistenza Passiva del Dispositivo Frenante Conforme UNI EN 12527 Passive resistance of braking device in compliance with UNI EN 12527	FT	11	11	11	7	7

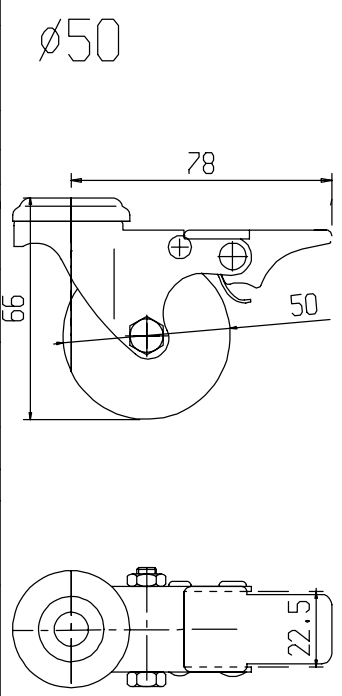
	B6	B8	B10	F	P4	P8	P5	E
= Peso per 1 pezzo = Weight for a piece								
40G	ITEM 40/LFT/GB6	40/LFT/GB8	40/LFT/GB10	40/LFT/GF	40/LFT/GP4	40/LFT/GP8	40/LFT/GP5	40/LFT/GE
	134	134	134	156	145	156	158	184
40Gd	ITEM 40/LFT/GdB6	40/LFT/GdB8	40/LFT/GdB10	40/LFT/GdF	40/LFT/GdP4	40/LFT/GdP8	40/LFT/GdP5	40/LFT/GdE
	139	139	139	161	150	161	163	189
40PU	ITEM 40/LFT/PUB6	40/LFT/PUB8	40/LFT/PUB10	40/LFT/PUF	40/LFT/PUP4	40/LFT/PUP8	40/LFT/PUP5	40/LFT/PUE
	137	137	137	159	148	159	161	187
40SR	ITEM 40/LFT/SRB6	40/LFT/SRB8	40/LFT/SRB10	40/LFT/SRF	40/LFT/SRP4	40/LFT/SRP8	40/LFT/SRP5	40/LFT/SRE
	130	130	130	152	141	152	154	180
40SRd	ITEM 40/LFT/SRdB6	40/LFT/SRdB8	40/LFT/SRdB10	40/LFT/SRdF	40/LFT/SRdP4	40/LFT/SRdP8	40/LFT/SRdP5	40/LFT/SRdE
	133	133	133	155	144	155	157	183
40N	ITEM 40/LFT/NB6	40/LFT/NB8	40/LFT/NB10	40/LFT/NF	40/LFT/NP4	40/LFT/NP8	40/LFT/NP5	40/LFT/NE
	117	117	117	138	127	138	140	167

Ø40



Compressivi girevoli Serie 50LFT nelle varie tipologie di: Fissaggi, Ruote assemblate.  
Swivel castors of the 50/LFT series with different types of fixings, assembled wheels

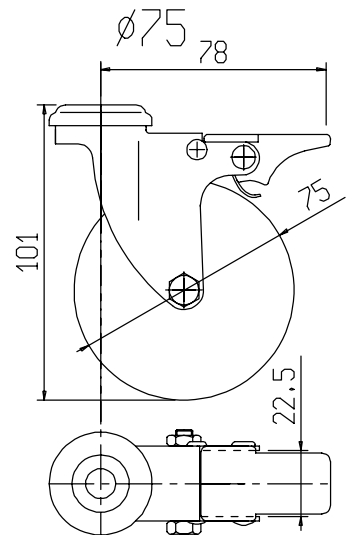
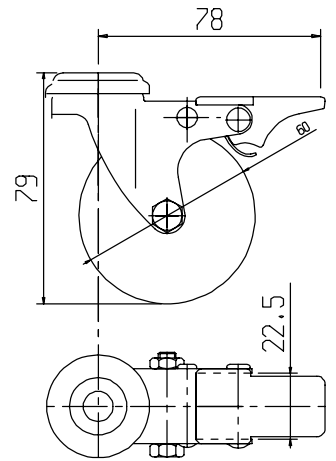
Requisiti dei Compressivi assemblati alle varie Ruote Requirements of the castors assembled with the different wheels		G	Gd	GCC	GdA	GcA	PU	SR	SRd	N	Nd					
Portata Dinamica conforme UNI EN 12527 Dynamic load capacity conform UNI EN 12527			40	40	40	30	30	60	40	40	20	20				
Portata Statica conforme UNI EN 12527 Static load capacity conform UNI EN 12527			60	60	60	45	45	90	60	60	30	30				
Resistenza Passiva del Dispositivo Frenante Conforme UNI EN 12527 Passive resistance of braking device in compliance with UNI EN 12527			11	11	11	11	11	7	7	6	6					
		B6		B8		B10		F		P4		P8		P5		E
		ITEM	50/LFT/GB6	50/LFT/GB8	50/LFT/GB10	50/LFT/GF	50/LFT/GP4	50/LFT/GP8	50/LFT/GP5	50/LFT/GE						
			134	134	134	156	145	156	158	184						
		ITEM	50/LFT/GdB6	50/LFT/GdB8	50/LFT/GdB10	50/LFT/GdF	50/LFT/GdP4	50/LFT/GdP8	50/LFT/GdP5	50/LFT/GdE						
			139	139	139	161	150	161	163	190						
		ITEM	50/LFT/GCCB6	50/LFT/GCCB8	50/LFT/GCCB10	50/LFT/GCCF	50/LFT/GCCP4	50/LFT/GCCP8	50/LFT/GCCP5	50/LFT/GCC E						
			144	144	144	166	155	166	168	195						
		ITEM	50/LFT/GdAB6	50/LFT/GdAB8	50/LFT/GdAB10	50/LFT/GdAF	50/LFT/GdAP4	50/LFT/GdAP8	50/LFT/GdAP5	50/LFT/GdAE						
			142	142	142	164	153	164	166	193						
		ITEM	50/LFT/GdAB6	50/LFT/GdAB8	50/LFT/GdAB10	50/LFT/GdAF	50/LFT/GdAP4	50/LFT/GdAP8	50/LFT/GdAP5	50/LFT/GdAE						
			181	181	181	203	192	203	227	254						
		ITEM	50/LFT/PUB6	50/LFT/PUB8	50/LFT/PUB10	50/LFT/PUF	50/LFT/PUP4	50/LFT/PUP8	50/LFT/PUP5	50/LFT/PUE						
			146	146	146	168	157	168	192	219						
		ITEM	50/LFT/SRB6	50/LFT/SRB8	50/LFT/SRB10	50/LFT/SRF	50/LFT/SRP4	50/LFT/SRP8	50/LFT/SRP5	50/LFT/SRE						
			123	123	123	143	134	145	147	172						
		ITEM	50/LFT/SRdB6	50/LFT/SRdB8	50/LFT/SRdB10	50/LFT/SRdF	50/LFT/SRdP4	50/LFT/SRdP8	50/LFT/SRdP5	50/LFT/SRdE						
			130	130	130	175	164	175	199	226						
		ITEM	50/LFT/NB6	50/LFT/NB8	50/LFT/NB10	50/LFT/NF	50/LFT/NP4	50/LFT/NP8	50/LFT/NP5	50/LFT/NE						
			116	116	116	138	127	138	140	167						
		ITEM	50/LFT/NdB6	50/LFT/NdB8	50/LFT/NdB10	50/LFT/NdF	50/LFT/NdP4	50/LFT/NdP8	50/LFT/NdP5	50/LFT/NdE						
			131	131	131	153	142	153	155	182						



Compressivi girevoli Serie 60-75LFT nelle varie tipologie di: Fissaggi, Ruote assemblate.  
Swivel castors of the 60-75/LFT series with different types of fixings, assembled wheels.



Requisiti dei Compressivi assemblati alle varie Ruote Requirements of the castors assembled with the different wheels					G	Gd	N	Nd	
Portata Dinamica conforme UNI EN 12527 Dynamic load capacity conform UNI EN 12527						36	36	20	20
Portata Statica conforme UNI EN 12527 Static load capacity conform UNI EN 12527						54	54	30	30
Resistenza Passiva del Dispositivo Frenante Conforme UNI EN 12527 Passive resistance of braking device in compliance with UNI EN 12527						7.2	7.2	6	6
	B6	B8	B10	F	P4	P8	P5	E	
	$\phi 6$	$\phi 8$	$\phi 10$						
	16.2	16.2	16.2						
	179	179	179	201	190	201	203	229	
	186	186	186	208	197	208	210	236	
	129	129	129	151	140	151	153	179	
	151	151	151	173	162	173	175	201	
Requisiti dei Compressivi assemblati alle varie Ruote Requirements of the castors assembled with the different wheels					G	Gd	N	Nd	
Portata Dinamica conforme UNI EN 12527 Dynamic load capacity conform UNI EN 12527						36	36	20	20
Portata Statica conforme UNI EN 12527 Static load capacity conform UNI EN 12527						54	54	30	30
Resistenza Passiva del Dispositivo Frenante Conforme UNI EN 12527 Passive resistance of braking device in compliance with UNI EN 12527						7.5	7.5	4.3	4.3
	B6	B8	B10	F	P4	P8	P5	E	
	204	204	204	226	215	226	228	254	
	223	223	223	245	234	245	247	273	
	157	157	157	180	168	179	181	207	
	184	184	184	207	195	206	208	234	



$\phi 60$

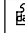
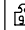


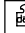
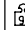
# Supporti fissi Serie L per i vari Diametri di Ruote e Gamma di Fissaggi Fixed forks of the L series for the various wheels diameters and fixings range

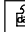
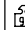
Materiale: Lamiera ferro secondo standard EN 10130  
Trattamento superficiale: Zincatura passivata UNI ISO 2081  
Material: Iron sheet subject to EN 10130  
Surface treatment: passivated galvanisation subject to UNI ISO 2081


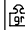
 S Portata statica conforme UNI EN 12527 \*  
 S Static load capacity conform UNI EN 12527 \*

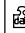
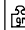
 =Peso per 1 pezzo  
 =Weight for a piece

ITEM	30-36/L H44/SF	30-36/L/SF	40-45-50/L/SF	60/L/SF	75/L/SF
H	29	31,5	41	49	63
E-F	6.2-8.2	6.2-6.2	6.2-8.2	6.2-8.2	6.2-8.2
 S	30	30	30	30	30
	45	49	72	78	96

ITEM	30-36/L H44/SFF	30-36/L/SFF	40-45-50/L/SFF	60/L/SFF	75/L/SFF
H	29	31,5	41	49	63
E-F	6.2-8.2	6.2-6.2	6.2-8.2	6.2-8.2	6.2-8.2
 S	30	30	30	30	30
	45	70	93	99	117

ITEM	30-36/L H44/SFP5	30-36/L/SFP5	40-45-50/L/SFP5	60/L/SFP5	75/L/SFP5
H	29	31,5	41	49	63
E-F	6.2-8.2	6.2-6.2	6.2-8.2	6.2-8.2	6.2-8.2
 S	30	30	30	30	30
	42	95	118	124	142

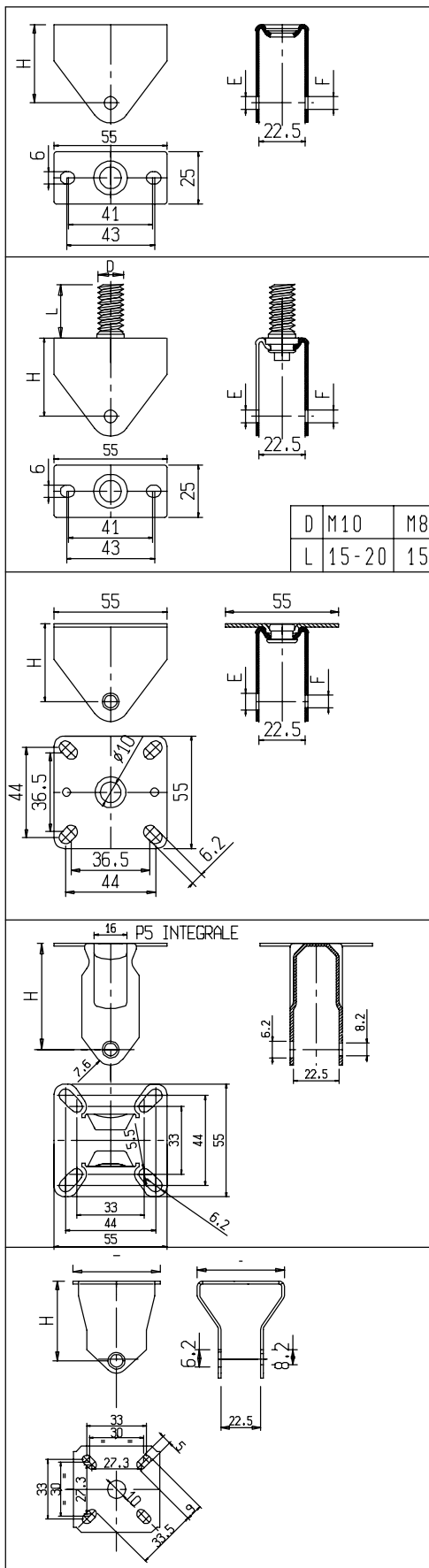
ITEM	40-45-50/L/SFP5I
H	41
E-F	6.2-8.2
 S	30
	44

ITEM	30-36/L H44/SFP4	30-36/L/SFP4I	40/L/SFP4I	45/L/SFP4I	50/L/SFP4I
H	29	32,5	39	41,5	41,5
E-F	6.2-8.2	6.2-8.2	6.2-8.2	6.2-8.2	6.2-8.2
 S	30	-	30	30	30
	62	-	76	76	76

\* La portata statica indicata per i soli supporti corrisponde a 1.5 portata dinamica verificata secondo UNI 12527 montando una ruota Nylon

\* The static load capacity mentioned for the only forks correspond to 1.5 dynamic load capacity checked according to UNI 12527 assembling with a nylon wheel

∅30-36/40-45-50/60/75



# Compressivi fissi serie L nelle varie tipologie di: Fissaggi, Ruote assemblate. Fixed castors of L series in the various types of: fixings, assembled wheels

Requisiti dei Compressivi assemblati alle varie Ruote

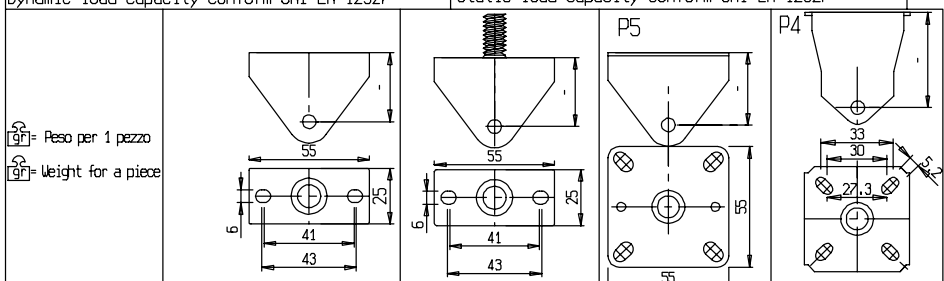
Requirements of the castors assembled with the different wheels

Portata Dinamica conforme UNI EN 12527

Dynamic load capacity conform UNI EN 12527

Portata Statica conforme UNI EN 12522

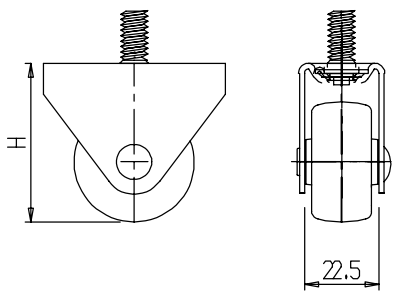
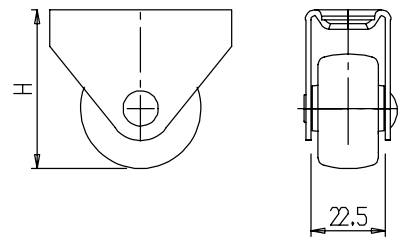
Static load capacity conform UNI EN 12522



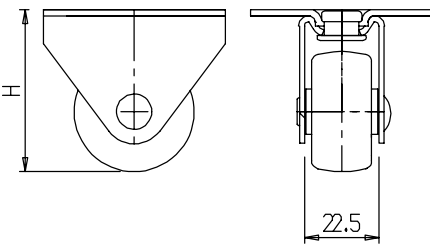
∅ 30 H.44

∅ 30 H.47.5

ITEM	30N		30PU		30SR	
	30/L/H44SFN	30/L/H44SFFN	30/L/H44SFP5N	30/L/H44SFP4N	30/L/H44SFP5N	30/L/H44SFP4N
H	44	44	44	44	44	44
∅D	40	40	40	40	40	40
∅S	60	60	60	60	60	60
∅	59	80	106	76	106	76

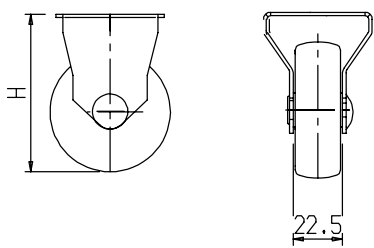


ITEM	30N		30PU		30SR	
	30/L/SFN	30/L/SFFN	30/L/SFP5N	30/L/SFP4N	30/L/SFP5N	30/L/SFP4N
H	47.5	47.5	47.5	47.5	47.5	47.5
∅D	40	40	40	40	40	40
∅S	60	60	60	60	60	60
∅	62	83	109	79	109	79



ITEM	36N		36PU		36SR	
	36/L/SFN	36/L/SFFN	36/L/SFP5N	36/L/SFP4N	36/L/SFP5N	36/L/SFP4N
H	50.5	50.5	50.5	50.5	50.5	50.5
∅D	40	40	40	40	40	40
∅S	60	60	60	60	60	60
∅	67	88	114	84	114	84

∅ 36





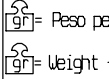
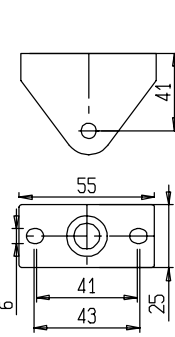
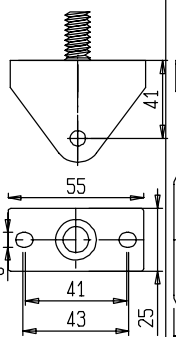

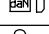
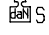

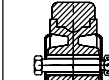

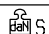
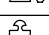
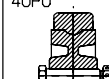
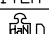
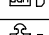
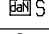

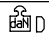
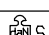
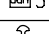


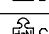
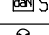

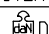
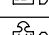
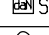

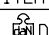
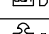
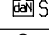
Compressivi fissi serie 40/45/L/SF nelle varie tipologie di: Fissaggi, Ruote assemblate.  
Fixed castors of 40/45/L/SF series in the various types of: fixings, assembled wheels

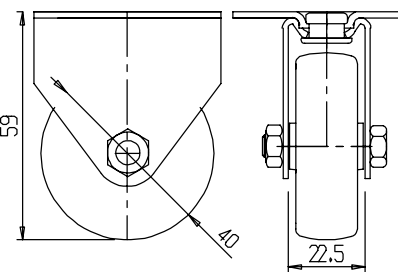
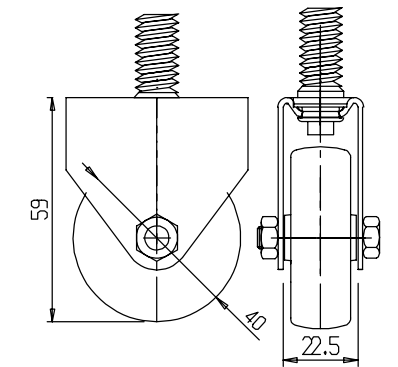
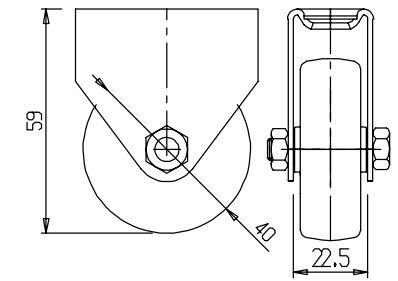
Requisiti dei Compressivi assemblati alle varie Ruote  
Requirements of the castors assembled with the different wheels

Portata Dinamica conforme UNI EN 12527  
Dynamic load capacity conform UNI EN 12527

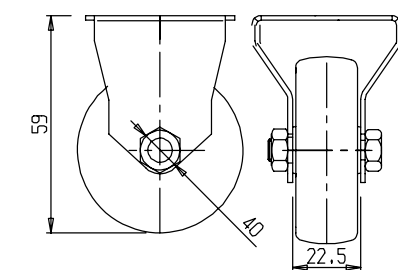
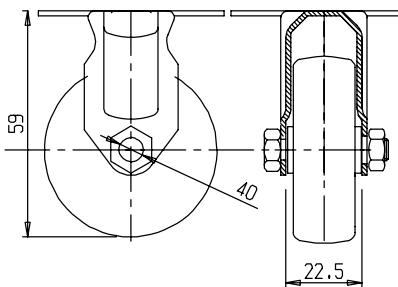
Portata Statica conforme UNI EN 12527  
Static load capacity conform UNI EN 12527

∅ 40/45

 Peso per 1 pezzo Weight for a piece					P5		P5 INTEGRALE		P4	
	ITEM		ITEM		ITEM		ITEM		ITEM	
	ITEM	40/L/SFG	40/L/SFFG	40/L/SFP5G	40/L/SFP5IG	40/L/SFP4IG				
	 D	35	35	35	35	35				
	 S	52	52	52	52	52				
	 G	110	132	157	78	111				
	ITEM	40/L/SFGd	40/L/SFFGd	40/L/SFP5Gd	40/L/SFP5IGd	40/L/SFP4IGd				
	 D	35	35	35	35	35				
	 S	52	52	52	52	52				
	 G	115	137	162	83	116				
	ITEM	40/L/SFPU	40/L/SFFPU	40/L/SFP5PU	40/L/SFP5IPU	40/L/SFP4IPU				
	 D	60	60	60	60	60				
	 S	90	90	90	90	90				
	 G	113	135	160	81	114				
	ITEM	40/L/SFSR	40/L/SFFSR	40/L/SFP5SR	40/L/SFP5ISR	40/L/SFP4ISR				
	 D	30	30	30	30	30				
	 S	45	45	45	45	45				
	 G	106	128	153	74	107				
	ITEM	40/L/SFSRd	40/L/SFFSRd	40/L/SFP5SRd	40/L/SFP5ISRd	40/L/SFP4ISRd				
	 D	30	30	30	30	30				
	 S	45	45	45	45	45				
	 G	109	131	156	77	110				
	ITEM	40/L/SFN	40/L/SFFN	40/L/SFP5N	40/L/SFP5IN	40/L/SFP4IN				
	 D	40	40	40	40	40				
	 S	60	60	60	60	60				
	 G	100	121	146	67	100				
	ITEM	45/L/SFN	45/L/SFFN	45/L/SFP5N	45/L/SFP5IN	45/L/SFP4IN				
	 D	40	40	40	40	40				
	 S	60	60	60	60	60				
	 G	106	127	152	73	106				



P5 INTEGRALE



Compressivi fissi serie 50/L/SF nelle varie tipologie di: Fissaggi, Ruote assemblate.  
Fixed castors of 50/L/SF series in the various types of: fixings, assembled wheels

Requisiti dei Compressivi assemblati alle varie Ruote

Requirements of the castors assembled with the different wheels

Portata Dinamica conforme UNI EN 12527

Dynamic load capacity conform UNI EN 12527

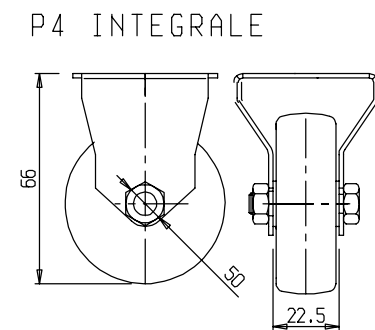
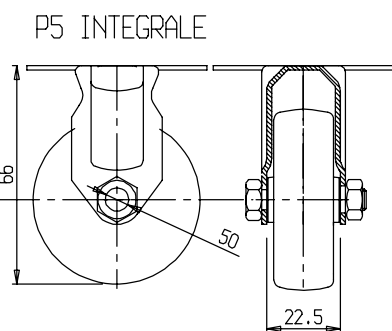
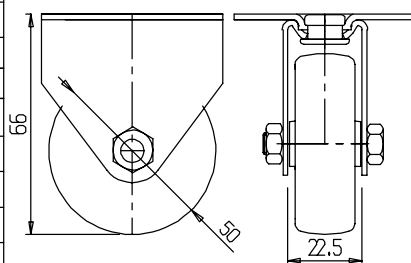
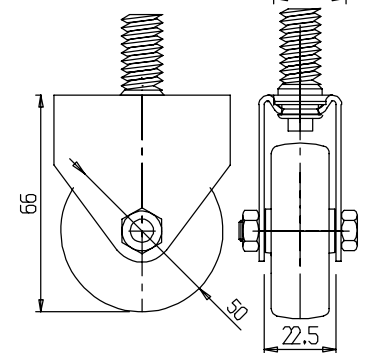
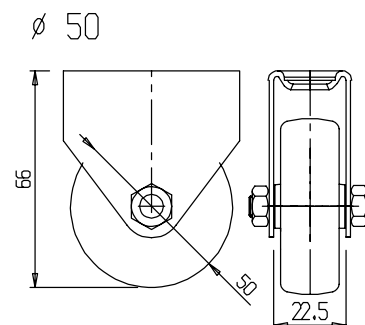


Portata Statica conforme UNI EN 12527

Static load capacity conform UNI EN 12527



				P5	P5 INTEGRALE	P4
<p> = Peso per 1 pezzo  = Weight for a piece</p>						
50G	ITEM	50/L/SFG	50/L/SFFG	50/L/SFP5G	50/L/SFP5IG	50/L/SFP4IG
		30	30	30	30	30
		45	45	45	45	45
50Gd	ITEM	50/L/SFGd	50/L/SFFGd	50/L/SFP5Gd	50/L/SFP5IGd	50/L/SFP4IGd
		30	30	30	30	30
		45	45	45	45	45
50GCC	ITEM	50/L/SFGCC	50/L/SFFGCC	50/L/SFP5GCC	50/L/SFP5IGCC	50/L/SFP4IGCC
		40	40	40	40	40
		60	60	60	60	60
50GdA	ITEM	50/L/SFGdA	50/L/SFFGdA	50/L/SFP5GdA	50/L/SFP5IGdA	50/L/SFP4IGdA
		40	40	40	40	40
		60	60	60	60	60
50GcA	ITEM	50/L/SFGcA	50/L/SFFGcA	50/L/SFP5IGcA	50/L/SFP5IGcA	50/L/SFP4IGcA
		40	40	40	40	40
		60	60	60	60	60
50PU	ITEM	50/L/SFPU	50/L/SFFPU	50/L/SFP5PU	50/L/SFP5IPU	50/L/SFP4IPU
		80	80	80	80	80
		120	120	120	120	120
50SR	ITEM	50/L/SFSR	50/L/SFFSR	50/L/SFP5SR	50/L/SFP5ISR	50/L/SFP4ISR
		30	30	30	30	30
		45	45	45	45	45
50SRd	ITEM	50/L/SFSRd	50/L/SFFSRd	50/L/SFP5SRd	50/L/SFP5ISRd	50/L/SFP4ISRd
		30	30	30	30	30
		45	45	45	45	45
50N	ITEM	50/L/SFN	50/L/SFFN	50/L/SFP5N	50/L/SFP5IN	50/L/SFP4IN
		60	60	60	60	60
		90	90	90	90	90
50Nd	ITEM	50/L/SFNd	50/L/SFFNd	50/L/SFP5Nd	50/L/SFP5INd	50/L/SFP4INd
		60	60	60	60	60
		90	90	90	90	90



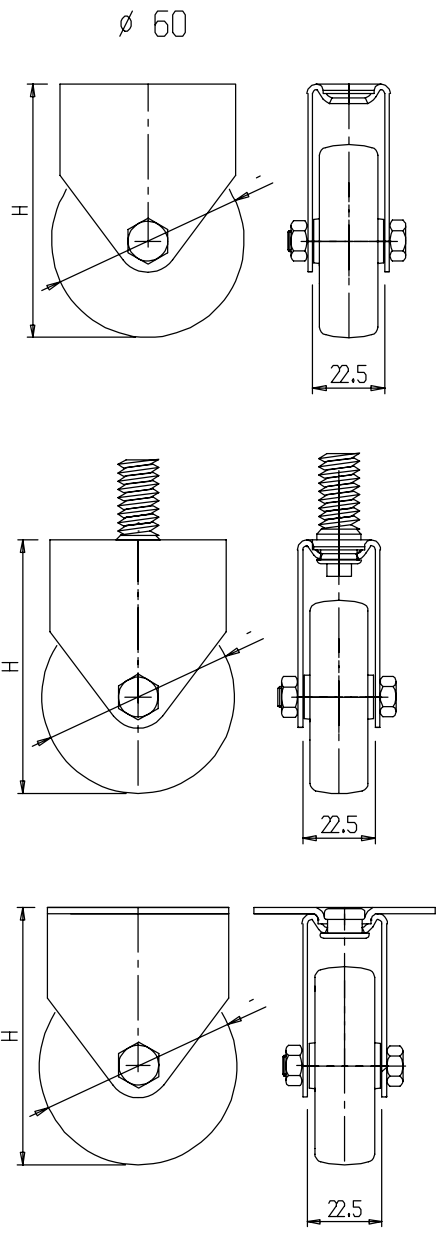
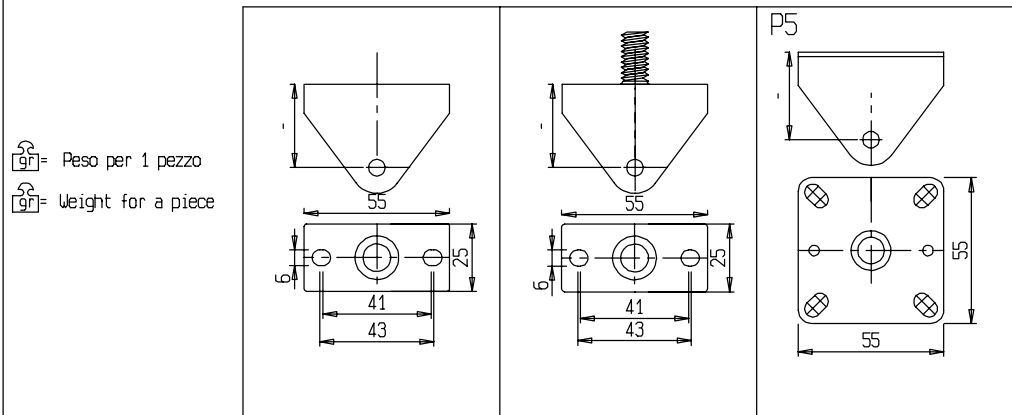
Compressivi fissi serie 60/L nelle varie tipologie di: Fissaggi, Ruote assemblate  
 Fixed castors of 60/L series in the various types of: fixings, assembled wheels

Requisiti dei Compressivi assemblati alle varie Ruote  
 Requirements of the castors assembled with the different wheels

Portata Dinamica conforme UNI EN 12527  
 Dynamic load capacity conform UNI EN 12527

Portata Statica conforme UNI EN 12527  
 Static load capacity conform UNI EN 12527

ITEM	60/L/G-Gd		60/L/G-Gd	
	con Asse Rivettato With riveted axle		Nucleo Grigio Grey Centre	
60G	ITEM	60/L/SFG	60/L/SFFG	60/L/SFP5G
	H	79	79	79
		-	-	-
		-	-	-
	154	175	205	
60Gd	ITEM	60/L/SFGd	60/L/SFFGd	60/L/SFP5Gd
	H	79	79	79
		-	-	-
		-	-	-
	168	189	219	
60N	ITEM	60/L/SFN	60/L/SFFN	60/L/SFP5N
	H	79	79	79
		-	-	-
		-	-	-
	115	136	166	
60Nd	ITEM	60/L/SFNd	60/L/SFFNd	60/L/SFP5Nd
	H	79	79	79
		-	-	-
		-	-	-
	137	158	188	



# Compressivi fissi serie 75/L nelle varie tipologie di: Fissaggi, Ruote assemblate

## Fixed castors of 75/L series in the various types of: fixings, assembled wheels



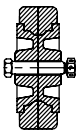

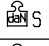
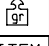
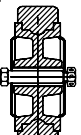
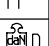
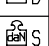
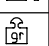
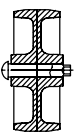



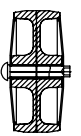
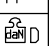
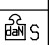
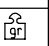
Requisiti dei Compressivi assemblati alle varie Ruote  
Requirements of the castors assembled with the different wheels

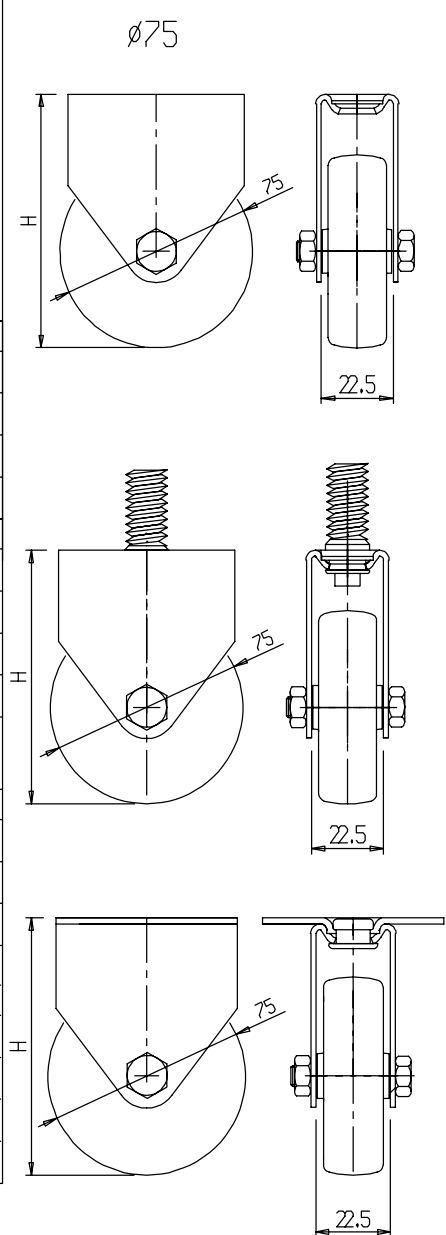
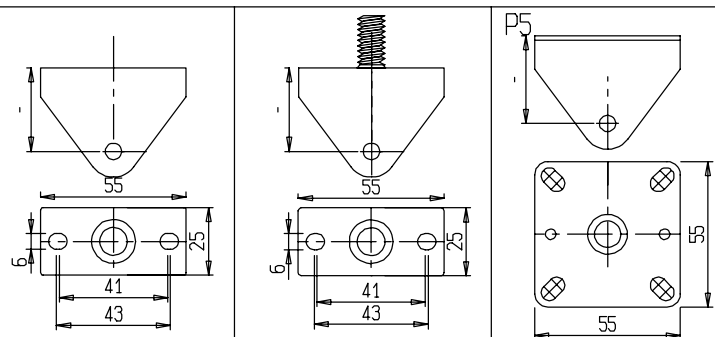
Portata Dinamica conforme UNI EN 12527

Dynamic load capacity conform UNI EN 12527

Portata Statica conforme UNI EN 12527

Static load capacity conform UNI EN 12527

				
 75G	ITEM	75/L/SFG	75/L/SFFG	75/L/SFP5G
	H	101	101	101
	 D	40	40	40
	 S	60	60	60
	 W	189	210	235
 75Gd	ITEM	75/L/SFGd	75/L/SFFGd	75/L/SFP5Gd
	H	101	101	101
	 D	40	40	40
	 S	60	60	60
	 W	212	233	258
ITEM	75/L/G-Gd			
	con Asse Rivettato With riveted axle			
 75N	ITEM	75/L/SFN	75/L/SFFN	75/L/SFP5N
	H	101	101	101
	 D	60	60	60
	 S	90	90	90
	 W	115	136	166
 75Nd	ITEM	75/L/SFNd	75/L/SFFNd	75/L/SFP5Nd
	H	101	101	101
	 D	60	60	60
	 S	90	90	90
	 W	142	163	188
ITEM	75/L/N-Nd			
	con Asse a Vite With screw axle			



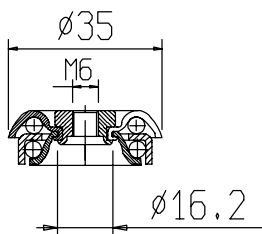
Requisiti Ruote Serie L ø30 inox, nelle varie tipologie di: Battistrada, Organi di Rotolamento  
 Wheels requirements of L Series ø30 INOX in the various types of tyres and rolling parts.

Ruota tipo Wheel type		PU	SR	N			
Catteristiche del Battistrada Tyre characteristics		Poliuretano Rosso Polyurethane Red	Gomma Sintetica Synthetic Rubber	Ruota Monolitica Nylon Bianco White Nylon Monolithic Wheel			
Durezza del Battistrada conforme UNI EN 12527 Tyre hardness in compliance with UNI EN 12527		Shore A			>100	>100	>100
Temperature di Utilizzo Raccomandate Recommended working temperatures	Max-	+40°C	+60°C	+40°C	+40°C	+40°C	
	Min-	-5°C	-10°C	0°C	0°C	0°C	
Catteristiche del Nucleo Wheel centre characteristics		Nylon Bianco White Nylon	Polipropilene Grigio Grey Polypropylene				
Catteristiche del Mozzo Hub characteristics		Foro Liscio Plain Bearing	Foro Liscio Plain Bearing	Tubo Parafilo Tube Threadguard	Foro Liscio Plain Bearing	Tubo inox Parafilo Tube Threadguard	
Portata Dinamica conforme UNI EN 12527 Dynamic load capacity conform UNI EN 12527	D	Resistenza al Rotolamento (FR) alla Portata Nominale Rolling resistance (FR) at rated capacity			= Peso per 1 pezzo = Weight for a piece		
Portata Statica conforme UNI EN 12527 Static load capacity conform UNI EN 12527	S	Resistenza al Superamento Ostacolo (FO) alla Portata Nominale Obstacle overcoming resistance (FO) at rated capacity			H ostacolo=1% ø della Ruota Min 0.5 mm Obstacle H=1% of wheel, min.0.5 mm  FO		
		 19 20.3	 18 21 8.1		 18 21 8.1		
ITEM		30LPU	30LSR		30LN		
HOLE 8		FORO 8	FORO 8		FORO 8		
A		30	30		30		
D		40	30		20		
S		60	45		30		
		12	14		7		

Gamma di Fissaggi Standard per Supporti Serie L- LFT in Acciaio Inox  
 Range of standard fixings for L-LFT Series forks in stainless steel

A Foro Filettato  
 per Vite di Fissaggio Imbus M6x20 (\*)  
 With threaded hole of for fixing  
 screw imbus M6x20 (\*)

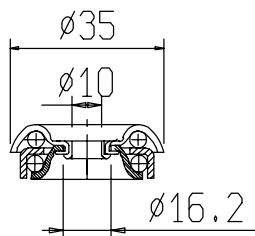
B6



\* Lunghezza della Vite Inseribile  
 con Ruota Assemblata  
 Length of screw that can be inserted  
 with assembled wheel

A Foro Passante ø10  
 per Vite di Fissaggio Imbus M8x20 (\*)  
 With bolt hole of ø10 for fixing  
 screw imbus M8x20 (\*)

0



\* Lunghezza della Vite Inseribile  
 con Ruota Assemblata  
 Length of screw that can be inserted  
 with assembled wheel

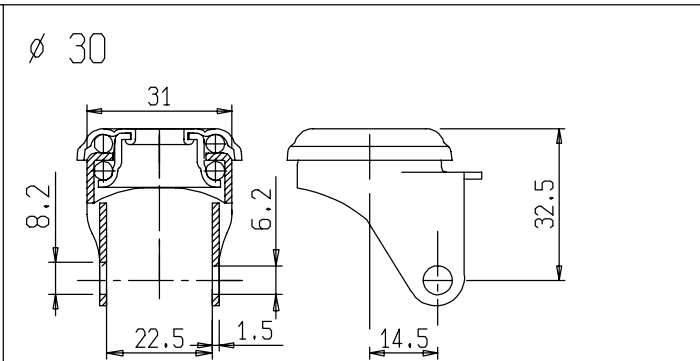
Supporti girevoli Serie L in Acciaio Inox per i vari Diametri di Ruote e Gamma di Fissaggi  
 L Series swivel forks in stainless steel for the various wheels diameters and range of fixings

Materiale: Lamiera inox AISI 304  
 Trattamento superficiale: Brillantatura  
 Corona sfere superiore: n. 18 sfere 5/32" inox ingrassate  
 Corona sfere inferiore: n. 18 sfere 5/32" inox ingrassate  
 Material: Stainless steel sheet AISI 304  
 Surface brilliant polishing  
 Upper ball crown N. 18 inox greased balls  
 Lower ball crown N.18 inox greased balls

S Portata Statica conforme UNI EN 12527 \*  
 S Static load capacity conform UNI EN 12527 \*

=Peso per 1 pezzo  
 =Weight for a piece

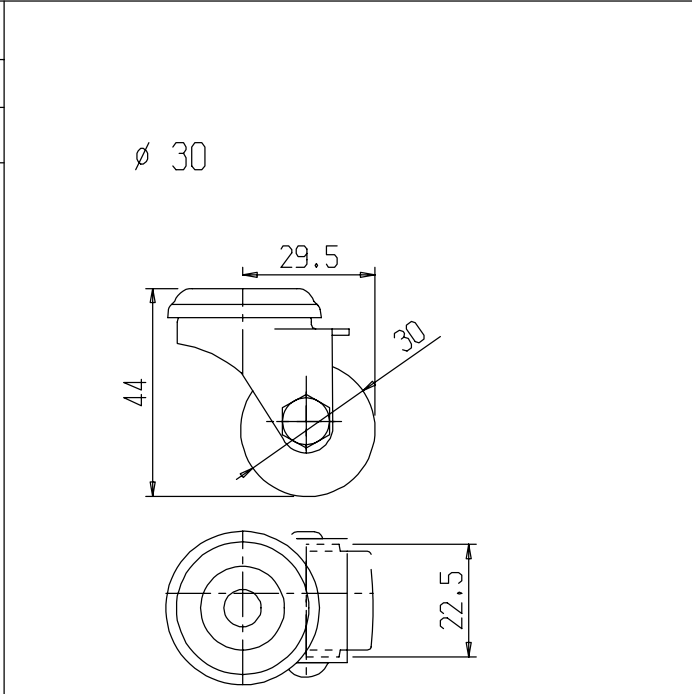
	B6	0
ITEM	30/L/B6 Inox	30/L/0 Inox
S	30	30
	52	52



Complessivi girevoli Serie L in Acciaio Inox nelle varie tipologie di:Fissaggi,Ruote assemblate.  
 Swivel castors of the L series in stainless steel with different types of fixings, assembled wheels.

Requisiti dei Complessivi assemblati alle varie Ruote Requirements of the castors assembled with the different wheels	N	PU	SR
Portata Dinamica conforme UNI EN 12527 Dynamic load capacity conform UNI EN 12527	D 28	40	22.7
Portata Statica conforme UNI EN 12527 Static load capacity conform UNI EN 12527	S 42	60	34

	B6	0
= Peso per 1 pezzo = Weight for a piece		
Nylon Bianco White Nylon 30N 	ITEM 30/L/NB6 Inox 66	30/L/NO Inox 66
Poliuretano Rosso Polyurethane Red 30PU 	ITEM 30/L/PUB6 Inox 71	30/L/PU0 Inox 71
Gomma Sintetica Synthetic Rubber 30SR 	ITEM 30/L/SRB6 Inox 64	30/L/SR0 Inox 64



ITEM 67 9 ASSE INOX INOX AXLE	ITEM 289 2 DADO M6 TRIBLOCK INOX M6 TRIBLOCK INOX NUT