

Ruote Adottate per Serie A nelle varie tipologie di Diametri, Battistrada.
Wheels used for A series in the various types of diameters and tyres.

Ruota tipo Wheel type				SR	N	
Catteristiche del Battistrada Tyre characteristics				Gomma Sintetica Synthetic Rubber	Nylon	
Durezza del Battistrada conforme UNI EN 12527 Tyre hardness in compliance with UNI EN 12527		shore A		-	>	
Temperature di Utilizzo Raccomandate Recommended working temperatures		Max-		+60°C	+40°C	
		Min-		-10°C	0°C	
Catteristiche del Nucleo Wheel centre characteristics				Polipropilene Polypropylene	Nylon Nylon	
Catteristiche del Mozzo Hub characteristics				Foro Liscio Plain Bearing	Foro Liscio Plain Bearing	

= Peso per 1 pezzo
 = Weight for a piece

Portata Dinamica conforme UNI EN 12527 Dynamic load capacity conform UNI EN 12527	D
Portata Statica conforme UNI EN 12527 Static load capacity conform UNI EN 12527	S

ITEM	30LSR	30LN
A	30	30
D	25	25
S	37	37
g	10	7
ITEM	36LSR	36LN
A	36	36
D	30	30
S	45	45
g	14	12

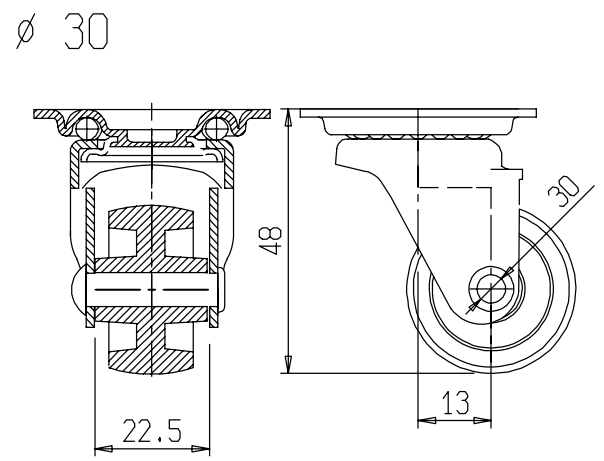
Gamma di Fissaggi Standard per Supporti Serie A
Range of Standard Fixings for Supports of A series forks

A Foro Passante $\varnothing 8.2$ per Vite di Fissaggio Imbus M8x20 (*) With bolt hole of $\varnothing 8.2$ for fixing screw imbus M8x20(*)	A Perno Zigrinato Rivettato With riveted knurled stem	A Perno Filettato Rivettato With riveted thread stem	Fissaggio a Piastra Integrale P4 42x42 Integral Plate type fixing P4 42x42
O 	L 	F 	P4

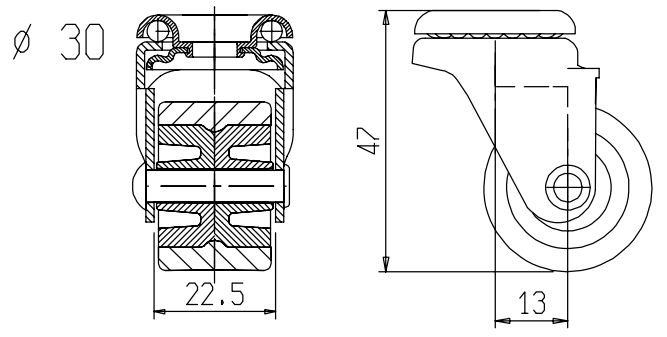
Compressivi girevoli Serie A nelle varie tipologie di: Fissaggi, Ruote assemblati.
Swivel castors of the A series with various types of fixings and assembled wheels.

Requisiti dei Compressivi assemblati alle varie Ruote Requirements of the castors assembled with the different wheels	SR	N		
Portata Dinamica conforme UNI EN 12527 Dynamic load capacity conform UNI EN 12527	D	25	25	
Portata Statica conforme UNI EN 12527 Static load capacity conform UNI EN 12527	S	37	37	

= Peso per 1 pezzo = Weight for a piece	0	L	F	P4	
30N	ITEM	30/O	30/L	30/F	30/P4
		48	68	63	72

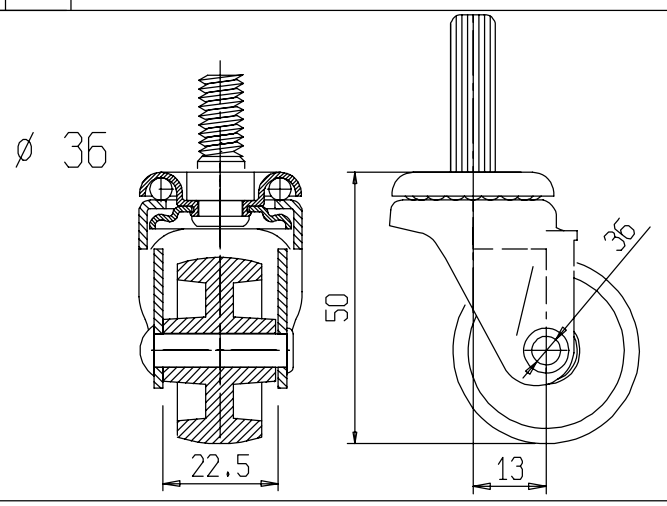


30SR	ITEM	30/SRO	30/SRL	30/SRF	30/SRP4
		43	63	58	67

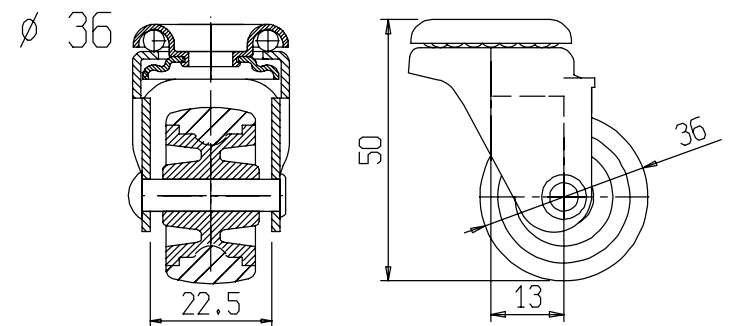


Requisiti dei Compressivi assemblati alle varie Ruote Requirements of the castors assembled with the different wheels	SR	N
Portata Dinamica conforme UNI EN 12527 Dynamic load capacity conform UNI EN 12527	D	15.2
Portata Statica conforme UNI EN 12527 Static load capacity conform UNI EN 12527	S	22.8

36N	ITEM	36/O	36/L	36/F	36/P4
		53	71	66	74



36SR	ITEM	36/SRO	36/SRL	36/SRF	36/SRP4
		53	71	66	74

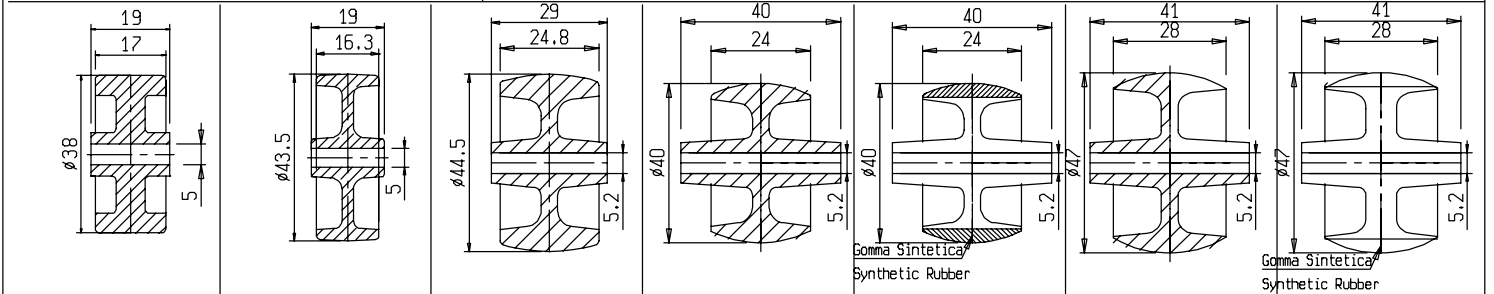


Requisiti Ruote Serie A nelle varie tipologie di: Diametri, Battistrada, Organi di Rotolamento
 Wheels series A Requirements in the various types of :Diameter, Tyre, Rolling parts

Ruota tipo Wheel type	38	43	45	40SF	40SF/G	50SF	50SF/G	
Catteristiche del Battistrada Tyre characteristics	Polipropilene Polypropylene			Gomma Sintetica Synthetic Rubber		Polipropilene Polypropylene	Gomma Sintetica Synthetic Rubber	
Durezza del Battistrada conforme UNI EN 12527 Tyre hardness in compliance with UNI EN 12527	shore A	>90			68		68	
Temperature di Utilizzo Raccomandate Recommended working temperatures	Max-	+60°C			+40°C		+60°C	+40°C
	Min-	-10°C			0°C		-10°C	0°C
Catteristiche del Nucleo Wheel centre characteristics	Polipropilene Polypropylene							
Catteristiche del Mozzo Hub characteristics					Foro Liscio Plain Bearing	Foro Liscio Plain Bearing		

$\frac{30}{30}$ = Peso per 1 pezzo
 $\frac{30}{30}$ = Weight for a piece

Portata Dinamica conforme UNI EN 12527 Dynamic load capacity conform UNI EN 12527	$\frac{30}{30}$ D	Resistenza al Rotolamento (FR) alla Portata Nominale Rolling resistance (FR) at rated capacity	$\frac{30}{30}$ FR
Portata Statica conforme UNI EN 12527 Static load capacity conform UNI EN 12527	$\frac{30}{30}$ S	Resistenza al Superamento Ostacolo (FO) alla Portata Nominale H ostacolo=1% \varnothing della Ruota Min 0.5 mm Obstacle overcoming resistance (FO) at rated capacity Obstacle H=1% of wheel, min.0.5 mm	$\frac{30}{30}$ FO



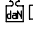
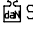
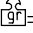
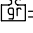
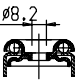
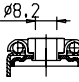
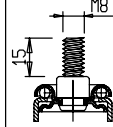
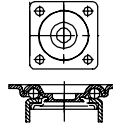
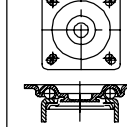
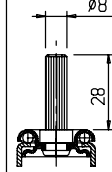
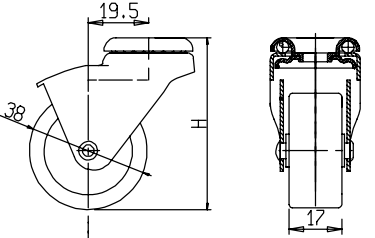



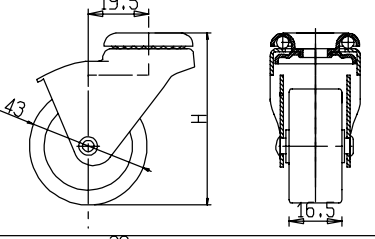



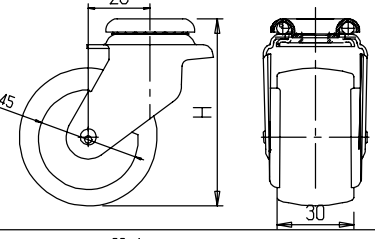



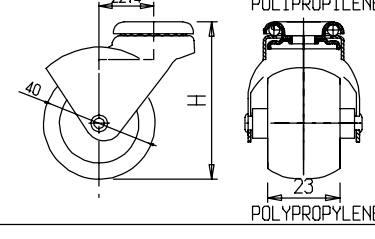

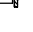

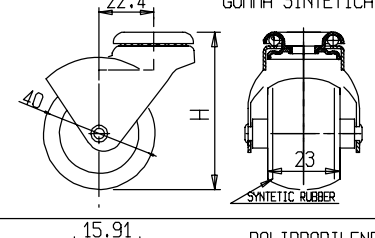

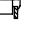

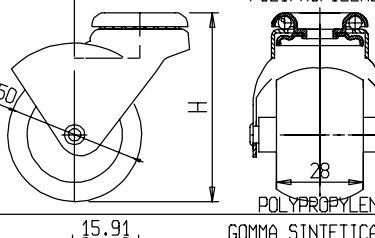
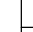


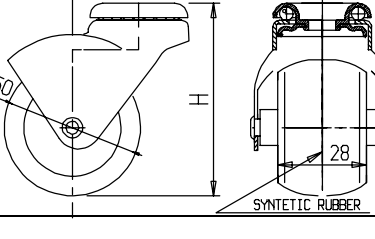
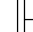
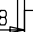
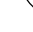
ITEM	38A	ITEM	43A	ITEM	45A	ITEM	40SF	ITEM	40SF/G	ITEM	50SF	ITEM	50SF/G
$\frac{30}{30}$ D		$\frac{30}{30}$ D	17	$\frac{30}{30}$ D		$\frac{30}{30}$ D		$\frac{30}{30}$ D		$\frac{30}{30}$ D		$\frac{30}{30}$ D	
$\frac{30}{30}$ S		$\frac{30}{30}$ S	25.5	$\frac{30}{30}$ S		$\frac{30}{30}$ S		$\frac{30}{30}$ S		$\frac{30}{30}$ S		$\frac{30}{30}$ S	
$\frac{30}{30}$ FR		$\frac{30}{30}$ FR		$\frac{30}{30}$ FR		$\frac{30}{30}$ FR		$\frac{30}{30}$ FR		$\frac{30}{30}$ FR		$\frac{30}{30}$ FR	
$\frac{30}{30}$ FO		$\frac{30}{30}$ FO		$\frac{30}{30}$ FO		$\frac{30}{30}$ FO		$\frac{30}{30}$ FO		$\frac{30}{30}$ FO		$\frac{30}{30}$ FO	
$\frac{30}{30}$	11	$\frac{30}{30}$	13	$\frac{30}{30}$	19	$\frac{30}{30}$	14	$\frac{30}{30}$	18	$\frac{30}{30}$	22	$\frac{30}{30}$	23

Gamma di Fissaggi Standard per Supporti Serie A
 Range of Standard Fixings for forks of the A series

A Foro Passante $\varnothing 8.2$ per Vite di Fissaggio Imbus M8x20 (*) With bolt hole of $\varnothing 8.2$ for fixing screw imbus M8x20(*)	A Foro Passante $\varnothing 8.2$ per Vite di Fissaggio Imbus M8x20 (*) With bolt hole of $\varnothing 8.2$ for fixing screw imbus M8x20(*)	A Perno Filettato Rivettato Dimensioni a Tabella da Specificare sempre all'Ordine With riveted thread stem, dimensions as per table to be specified when placing order	Fissaggio a Piastra Integrale P3 37x37 Integral Plate fixing P4 42x42
O	B	F	P3

Fissaggio a Piastra Integrale P4 42x42 Integral Plate fixing P4 42x42	A Perno Zigrinato Rivettato With riveted knurled stem
P4	L

Compressivi girevoli Serie A nelle varie tipologie di: Fissaggi, Ruote assemblati
Swivel castors of the A series with different types of fixings, assembled wheels

Requisiti dei Compressivi assemblati alle varie Ruote Requirements of the castors assembled with the various wheels		O	B	F	P3	P4	L
Portata Dinamica conforme UNI EN 12527 Dynamic load capacity conform UNI EN 12527 							
Portata Statica conforme UNI EN 12527 Static load capacity conform UNI EN 12527 							
 = Peso per 1 pezzo  = Weight for a piece							
	ITEM 38/0 - 38/F - 38/P4 - 38/L	H 56	 20	 30	 52		
	ITEM 43/0 - 43/F - 43/P4 - 43/L	H 58	 17	 25.5	 54		
	ITEM 45/0 - 45/F - 45/P4 - 45/L	H 61	 30	 45	 76		
 POLIPROPILENE POLYPROPYLENE	ITEM 40SF/0 - 40SF/B - 40SF/F - 40SF/P3 - 40SF/P4 - 40SF/L	H 52	 20	 30	 60		
 GOMMA SINTETICA SYNTHETIC RUBBER	ITEM 40SF/GO - 40SF/GB - 40SF/GF - 40SF/GP3 - 40SF/GP4 - 40SF/GL	H 52	 20	 30	 66		
 POLIPROPILENE POLYPROPYLENE	ITEM 50SF/0 - 50SF/B - 50SF/F - 50SF/P3 - 50SF/P4 - 50SF/L	H 59	 23	 34	 72		
 GOMMA SINTETICA SYNTHETIC RUBBER	ITEM 50SF/GO - 50SF/GB - 50SF/GF - 50SF/GP3 - 50SF/GP4 - 50SF/GL	H 59	 23	 34	 79		

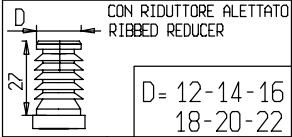
COMPLESSIVI FISSI senza giro sfere con ruota POLYTENE SERIE A FIXED CASTORS WITHOUT BALL BEARING, WITH POLYTHENE WHEEL A SERIES

Portata Dinamica conforme UNI EN 12527
Dynamic load capacity conform UNI EN 12527

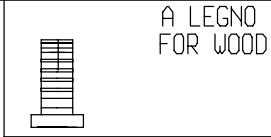
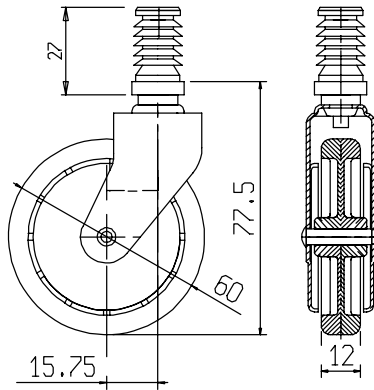
Portata Statica conforme UNI EN 12527
Static load capacity conform UNI EN 12527

Weight for a piece

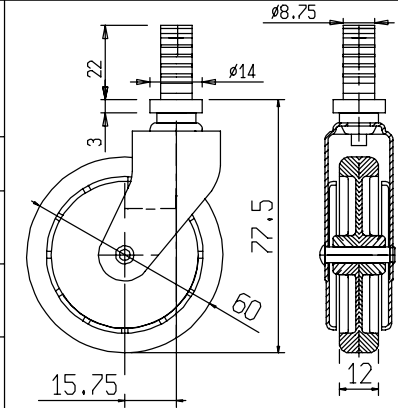
Peso per 1 pezzo



ITEM	60/ASS/A
D	12
S	18
	70

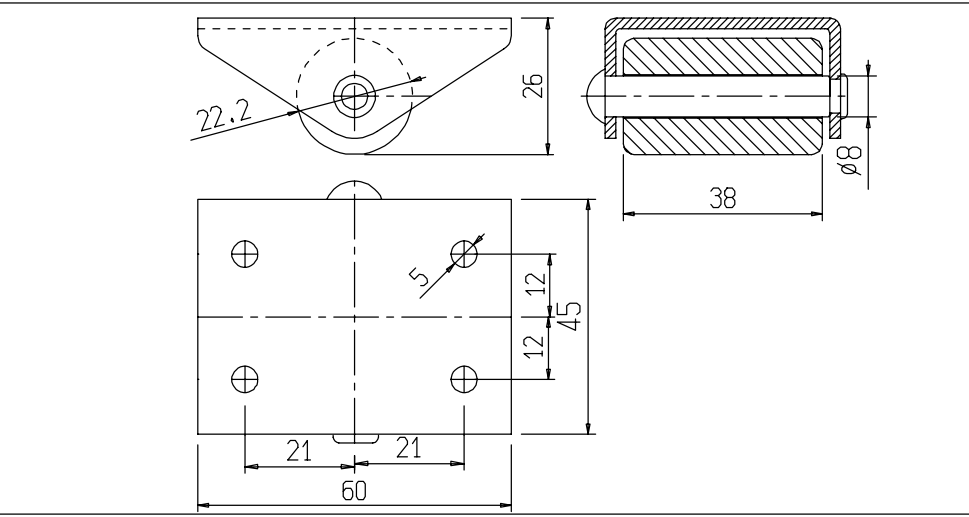


ITEM	60/ASS/NY
D	12
S	18
	72



COMPLESSIVI FISSI con RULLI NYLON FIXED CASTORS WITH NYLON ROLLER

ITEM	23/NFS
D	80
S	120
	93



COMPLESSIVI FISSO CON ALTEZZA SPECIALE FIXED CASTORS WITH SPECIAL HEIGHT

ITEM	30/L/SFSR
D	25
S	38
	48

