

Requisiti Ruote Serie 30 nelle varie tipologie di: Diametri, Battistrada, Organi di Rotolamento
 Wheels series 30 Requirements in the various types of :Diameter, Tyres, Rolling parts

Ruota tipo	Wheel type	G	Gd	GCC	GdA	GcA	PU	SR	SRd	N
Catteristiche del Battistrada Tyres characteristics	Gomma Grigia Grey Rubber			Gomma Conduttiva Nera Conductive Black rubber			Poliuretano Colore Arancio Polyurethane Orange Color	Gomma Sintetica Grigia Synthetic Grey rubber		Nylon Nero Black Nylon
Durezza del Battistrada conforme UNI EN 12527 Tyres hardness in compliance with UNI EN 12527	shore A	-	-	-	-	-	85	-	-	>-
Temperature di Utilizzo Raccomandate Recommended working temperatures	Max=	+70°C	+70°C	+70°C	+40°C	+40°C	+40°C	+60°C	+60°C	+40°C
	Min=	-30°C	-30°C	-30°C	-5°C	-5°C	-5°C	-10°C	-10°C	-0°C
Catteristiche del Nucleo Wheel centre characteristics	Nylon Nero Black Nylon			Nylon Nero Conduttivo Conductive Black Nylon			Nylon Bianco White Nylon	Polipropilene Grigio Grey Polypropylene		
Catteristiche del Mozzo Hub characteristics	Foro Liscio Plain Bearing	Tubo Parafilo Tube Threadguard	Cuscinetto a Sfera Parafilo Ball Bearing Threadguard	Foro Liscio Plain Bearing	Cuscinetto a Sfera Parafilo Ball Bearing Threadguard	Foro Liscio Plain Bearing	Foro Liscio Plain Bearing	Tubo Parafilo Tube Threadguard	Foro Liscio Plain Bearing	
Conducibilita' Elettrica conforme UNI EN 12527 Electric conductivity in compliance with UNI EN 12527	hom				< 10.000				Peso per 1 pezzo = $\frac{G}{A}$ Weight for a piece = $\frac{G}{A}$	
Portata Dinamica conforme UNI EN 12527 Dynamic load capacity conform UNI EN 12527	$\frac{D}{S}$			Resistenza al Rotolamento (FR) alla Portata Nominale Rolling resistance (FR) at rated capacity $\frac{FR}{D}$						
Portata Statica conforme UNI EN 12527 Static load capacity conform UNI EN 12527	$\frac{S}{FO}$			Resistenza al Superamento Ostacolo (FO) alla Portata Nominale H ostacolo=1% ϕ della Ruota Min 0.5 mm Obstacle overcoming resistance (FO) at rated capacity obstacle H=1% of wheel, min. 0.5 mm $\frac{FO}{D}$						
ITEM				60/30/PU					65/30/N	
A				60					65	
$\frac{D}{S}$				100					70	
$\frac{S}{FO}$				150					105	
$\frac{FR}{D}$				-					-	
$\frac{FO}{D}$				-					39	
ITEM	75/30/G	75/30/Gd	75/30/Gc	75/30/PU			75/30/GdA	75/30/GcA	75/30/N	
A	75	75	75	75			75	75	75	
$\frac{D}{S}$	80	80	80	100			-	-	70	
$\frac{S}{FO}$	120	120	120	150			-	-	105	
$\frac{FR}{D}$	-	-	-	-			-	-	-	
$\frac{FO}{D}$	-	-	-	-			-	-	-	
$\frac{G}{A}$	138	157	195	-			157	195	95	
ITEM	80/30/G	80/30/Gd	80/30/Gc	80/30/GdA			80/30/GcA	80/30/N		
A	80	80	80	80			80	80		
$\frac{D}{S}$	85	85	85	-			-	80		
$\frac{S}{FO}$	127.5	127.5	127.5	-			-	120		
$\frac{FR}{D}$	-	-	-	-			-	-		
$\frac{FO}{D}$	-	-	-	-			-	-		
$\frac{G}{A}$	163	182	219	-			182	219	68	
ITEM	100/30/G	100/30/Gd	100/30/GCC	100/30/GdA			100/30/GCCA	100/30/SR	100/30/N	
A	100	100	100	100			100	100	100	
$\frac{D}{S}$	80	80	80	-			-	80	60	
$\frac{S}{FO}$	120	120	120	-			-	120	90	
$\frac{FR}{D}$	-	-	-	-			-	-	-	
$\frac{FO}{D}$	-	-	-	-			-	-	-	
$\frac{G}{A}$	232	289	280	289			243	114	95	
ITEM	125/30/G	125/30/Gd	125/30/GCC	125/30/GdA			125/30/GCCA	125/30/SR	125/30/SRd	125/30/N
A	125	125	125	125			125	125	125	125
$\frac{D}{S}$	90	90	-	-			-	90	90	-
$\frac{S}{FO}$	135	135	-	-			-	135	135	-
$\frac{FR}{D}$	-	-	-	-			-	-	-	-
$\frac{FO}{D}$	-	-	-	-			-	-	-	-
$\frac{G}{A}$	362	425	390	-			325	170	218	158

Assali, cuscinetto e parafili per Ruote Serie 30
 Axles, bearings and thread guards for 30 Series wheels

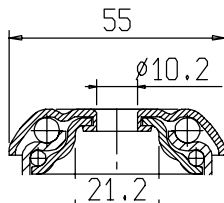
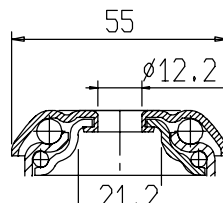
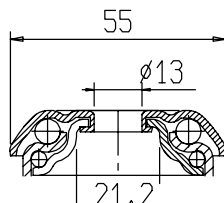
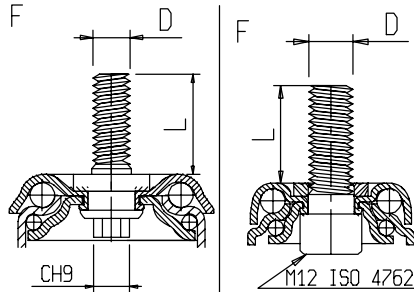
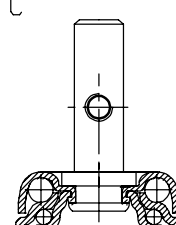
Raccomandazione adozione assali per le varie tipologie di ruote
 Recommendation for the adoption of axles in the different types of wheels

ITEM 64 292	ITEM 65 292	ITEM 65 292	ITEM 65 292	ITEM 65 292	ITEM 64 292	ITEM 65 292	ITEM 65 292	ITEM 64 292	ITEM 65 292	ITEM 60 -
ITEM 60 -	ITEM 59 -	ITEM - -	ITEM - -	ITEM - -	ITEM 60 -	ITEM - -	ITEM - -	ITEM 60 -	ITEM 83 -	ITEM 65 292
	ITEM 981 -	ITEM - -	ITEM 981 -	ITEM - -	ITEM - -	ITEM - -	ITEM - -	ITEM - -	ITEM 981 -	ITEM - -
ITEM 64 30	ASSE VITE (851/RID) SCREW AXLE (851/RID)	ITEM 65 23	ASSE VITE RID/846/RID SCREW AXLE RID/846/RID	ITEM 292 5	M8 M8	ITEM 712	CUSCINETTO M 8x22x17.1 a sfera BALL BEARING M 8x22x17.1	Peso per 1 pezzo = Weight for a piece =		
ITEM 60 27	ASSE RIB 1038/ass RIVETED AXLE 1038/ass			ITEM 981 8	TUBINO TUBE					
ITEM 398 10	PARAFILI per RUOTE 75/30/Gd THREADGUARDS for WHEELS 75/30/Gd	ITEM 398 10	PARAFILI per RUOTE 80/30/Gd THREADGUARDS for WHEELS 80/30/Gd	ITEM 358 10	PARAFILI per RUOTE 100/30/Gd THREADGUARDS for WHEELS 100/30/Gd	ITEM 403 20	PARAFILI per RUOTE 125/30/Gd THREADGUARDS for WHEELS 125/30/Gd	ITEM 403 20	PARAFILI per RUOTE 125/30/SRd THREADGUARDS for WHEELS 125/30/SRd	ITEM 403 20
ITEM 398 10	PARAFILI per RUOTE 75/30/GcA THREADGUARDS for WHEELS 75/30/GcA	ITEM 398 10	PARAFILI per RUOTE 80/30/GcA THREADGUARDS for WHEELS 80/30/GcA	ITEM 378 7	PARAFILI per RUOTE 100/30/GCCA 125/GCCA THREADGUARDS for WHEELS 100/30/GCCA 125/GCCA	ITEM 427 7	PARAFILI NYLON per RUOTE 100/30/GCC 125/30/GCC NYLON THREADGUARD for WHEELS 100/30/GCC 125/30/GCC			

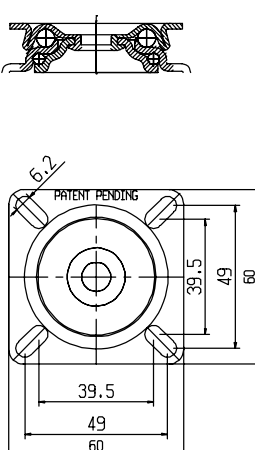
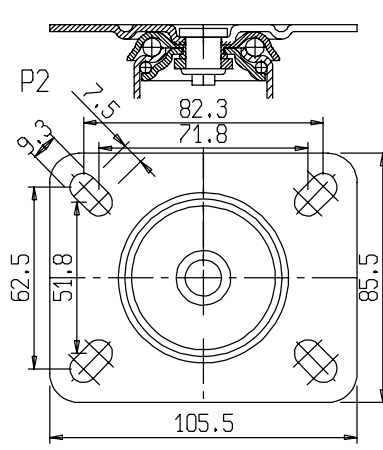
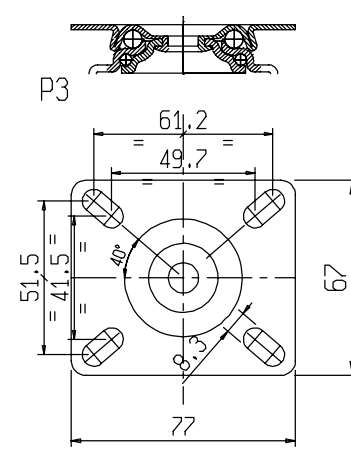
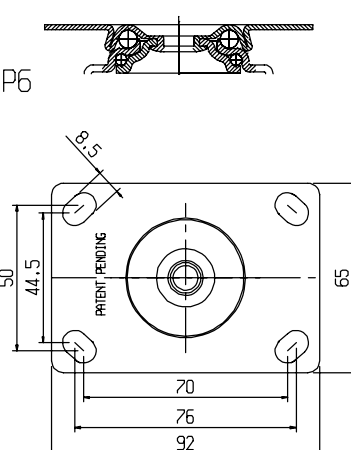
Gamma di Fissaggi Standard per Supporti Serie 30 E 30FT

Range of standard fixings for forks of the 30 and 30FT series

<p>A Foro Passante $\phi 10,2$ per Vite di Fissaggio Imbus M10x25 (*) With bolt hole of $\phi 10,2$ for fixing screw IMBUS M10x25 (*)</p>	<p>A Foro Passante $\phi 12,2$ per Vite di Fissaggio Imbus M12x25 (*) With bolt hole of $\phi 12,2$ for fixing screw IMBUS M12x25 (*)</p>	<p>A Foro Passante $\phi 13$ per Vite di Fissaggio Imbus 1/2"x 25 (*) With bolt hole of $\phi 13$ for fixing screw IMBUS 1/2"x 25 (*)</p>	<p>A Perno Filettato Rivettato eo Vite Imbus fissata Dimensioni da tabella da Specificare sempre all' Ordine With riveted thread stem, and/or fixed Imbus screw dimensions as per table to be specified when placing order</p>	<p>A Codolo Liscio Rivettato, dimensioni a richiesta. With smooth riveted stem, dimensions on request.</p>
---	---	---	--	--

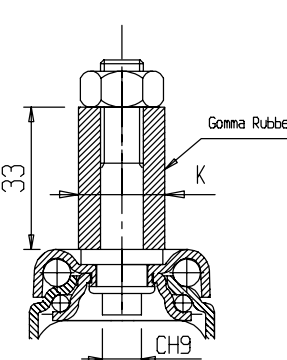
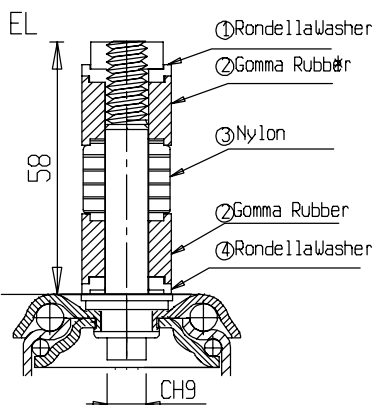
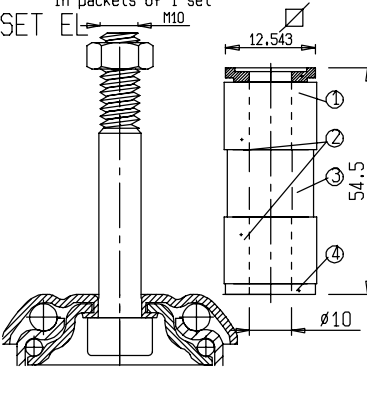
<p>B10</p>  <p>* Lunghezza della Vite Inseribile con Ruota Assemblata * Length of screw that can be inserted with assembled wheel</p>	<p>B12</p>  <p>* Lunghezza della Vite Inseribile con Ruota Assemblata * Length of screw that can be inserted with assembled wheel</p>	<p>B13</p>  <p>* Lunghezza della Vite Inseribile con Ruota Assemblata * Length of screw that can be inserted with assembled wheel</p>	<p>F</p>  <table border="1" style="width: 100%; border-collapse: collapse; margin-top: 10px;"> <tr> <td style="width: 20%;">D</td> <td style="width: 20%;">M10</td> <td style="width: 20%;">M12</td> <td style="width: 20%;">D</td> <td style="width: 20%;">M12</td> </tr> <tr> <td>L</td> <td>15-20-25-30</td> <td>15-25</td> <td>L</td> <td>9-13-18-23-29-33-38-43-53</td> </tr> </table>	D	M10	M12	D	M12	L	15-20-25-30	15-25	L	9-13-18-23-29-33-38-43-53	<p>C</p> 
D	M10	M12	D	M12										
L	15-20-25-30	15-25	L	9-13-18-23-29-33-38-43-53										

Fissaggio a Piastra Integrale P1 60x60 Integral plate fixing P1 60x60	Fissaggio a Piastra P2 105x85 + CH1000 6080/P PLATE FIXING P2 105X85 + NAIL 6080/P	Fissaggio a Piastra Integrale P3 77x67 Integral plate fixing P3 77x67	Fissaggio a Piastra Integrale P6 92x65 Integral plate fixing P6 92x65
--	---	--	--

<p>P1</p> 	<p>P2</p> 	<p>P3</p> 	<p>P6</p> 
---	---	--	---

Diverse Asolature sono Eseguibili, Inscritte nel Perimetro Esterno Possibility of various slots made in the external perimeter	Diverse Asolature sono Eseguibili, Inscritte nel Perimetro Esterno Possibility of various slots made in the external perimeter	Diverse Asolature sono Eseguibili, Inscritte nel Perimetro Esterno Possibility of various slots made in the external perimeter	Diverse Asolature sono Eseguibili, Inscritte nel Perimetro Esterno Possibility of various slots made in the external perimeter
---	---	---	---

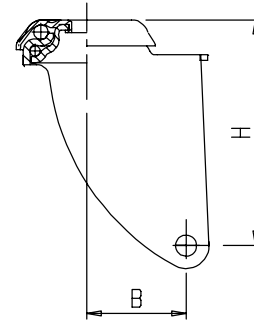
Fissaggio ad Espansori in Gomma per Tubo Tondo Dimensioni dei Gommini Disponibili vedi Tabella Rubber expander fixing for round tube, see table for available dimensions	Fissaggio ad Espansori in Gomma per Tubo Tondo e Quadro Dimensioni dei Gommini Disponibili vedi Tabella Rubber expander fixing for round and square tube, see table for available dimensions of rubber expanders	Fissaggio con SET EL (*) Fixing with EL SET (*) (*) i Componenti (1 2 3 4) sono fornibili in Bustine da 1 SET (*) Components (1,2,3 and 4) are available in packets of 1 set
---	---	---

<p>E</p> 	<p>EL</p> 	<p>SET EL</p> 
--	--	---

* sono Eseguibili Gommini Conduttivi * Conductive rubber expander can also be made.	* sono Eseguibili Gommini Conduttivi * Conductive rubber expander can also be made.	<p>Si Raccomanda di Adottare: Supporto B10 + Vite Imbus M10x65+Dado + SET EL (1 2 3 4)</p> <p>You are recommended to use housing type B10+screw IMBUS M10x65 + NUT + SET EL (1, 2, 3, 4)</p> <table border="1" style="width: 100%; border-collapse: collapse; margin-top: 10px;"> <tr> <td style="width: 10%;">ITEM</td> <td style="width: 10%;">1904</td> <td style="width: 10%;">1905</td> <td style="width: 10%;">1906</td> <td style="width: 10%;">1901</td> <td style="width: 10%;">1907</td> </tr> <tr> <td>SET EL</td> <td>$\phi 18$</td> <td>$\phi 19$</td> <td>$\phi 22$</td> <td>$\phi 25$</td> <td>$\phi 28$</td> </tr> <tr> <td>ITEM</td> <td>1908</td> <td>1902</td> <td>1903</td> <td></td> <td></td> </tr> <tr> <td>SET EL</td> <td>$\phi 21$</td> <td>$\phi 26$</td> <td>$\phi 31$</td> <td></td> <td></td> </tr> </table>	ITEM	1904	1905	1906	1901	1907	SET EL	$\phi 18$	$\phi 19$	$\phi 22$	$\phi 25$	$\phi 28$	ITEM	1908	1902	1903			SET EL	$\phi 21$	$\phi 26$	$\phi 31$		
ITEM	1904	1905	1906	1901	1907																					
SET EL	$\phi 18$	$\phi 19$	$\phi 22$	$\phi 25$	$\phi 28$																					
ITEM	1908	1902	1903																							
SET EL	$\phi 21$	$\phi 26$	$\phi 31$																							
K-Diametro Interno del Tubo da Specificare sempre all Ordine K-Inside diameter of the tube always to be specified when placing order	<table border="1" style="width: 100%; border-collapse: collapse;"> <tr> <td style="width: 10%;"></td> <td style="width: 10%;">18</td> <td style="width: 10%;">19</td> <td style="width: 10%;">22</td> <td style="width: 10%;">25</td> <td style="width: 10%;">28</td> </tr> <tr> <td>ϕ</td> <td>21</td> <td>26</td> <td>31</td> <td></td> <td></td> </tr> </table> <p>ϕ, ∇ Dimensioni Interne del Tubo da Specificare sempre all Ordine ϕ, ∇ Inside dimensions of tube always to be specified when placing order</p>		18	19	22	25	28	ϕ	21	26	31															
	18	19	22	25	28																					
ϕ	21	26	31																							

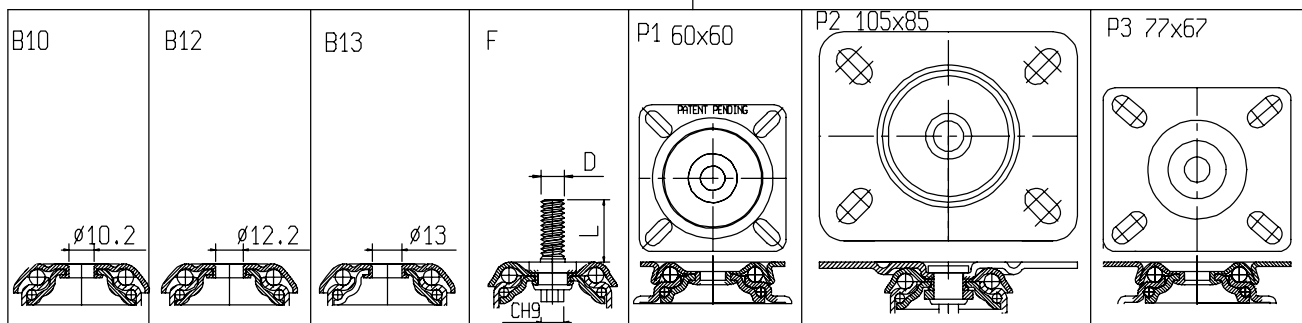
Supporti girevoli Serie 30 per i vari Diametri di Ruote e Gamma di Fissaggi
Swivel forks of the 30 series for the various wheels diameters and fixings range

Materiale: Lamiera ferro secondo standard EN 10130
Trattamento superficiale: Zincatura passivata UNI ISO 2081
Corona sfere superiore: n. 17 sfere 1/4" ingrassate
Corona sfere inferiore: n. 30 sfere 5/32" ingrassate
Material: Iron sheet subject to EN 10130
Surface treatment: passivated galvanisation subject to UNI ISO 2081
Upper ball crown N. 17 greased balls 1/4
Lower ball crown N. 30 greased balls 5/32



Portata Statica conforme UNI EN 12527
 Static load capacity conform UNI EN 12527

= Peso per 1 pezzo
 = Weight for a piece

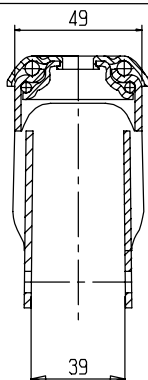


ITEM	65/30/B10	65/30/B12	65/30/B13	65/30/F	65/30/P1	65/30/P2	65/30/P3
H	51	51	51	51	51	53.5	51
B	17.5	17.5	17.5	17.5	17.5	17.5	17.5
S	-	-	-	-	-	-	-
	210	210	210	236	239	385	257
ITEM	75-80/30/B10	75-80/30/B12	75-80/30/B13	75-80/30/F	75-80/30/P1	75-80/30/P2	75-80/30/P3
H	62	62	62	62	62	64.5	62
B	26	26	26	26	26	26	26
S	75	75	75	75	75	75	75
	221	221	221	247	250	396	268
ITEM	100/30/B10	100/30/B12	100/30/B13	100/30/F	100/30/P1	100/30/P2	100/30/P3
H	73	73	73	73	73	75.5	73
B	28.5	28.5	28.5	28.5	28.5	28.5	28.5
S	75	75	75	75	75	75	75
	240	240	240	266	269	415	287
ITEM	125/30/B10	125/30/B12	125/30/B13	125/30/F	125/30/P1	125/30/P2	125/30/P3
H	87.5	87.5	87.5	87.5	87.5	90	87.5
B	37	37	37	37	37	37	37
S	-	-	-	-	-	-	-
	258	258	258	287	290	436	308

* La portata statica indicata per i soli supporti corrisponde a 1.5 portata dinamica verificata secondo UNI 12527 montando una ruota in Nylon

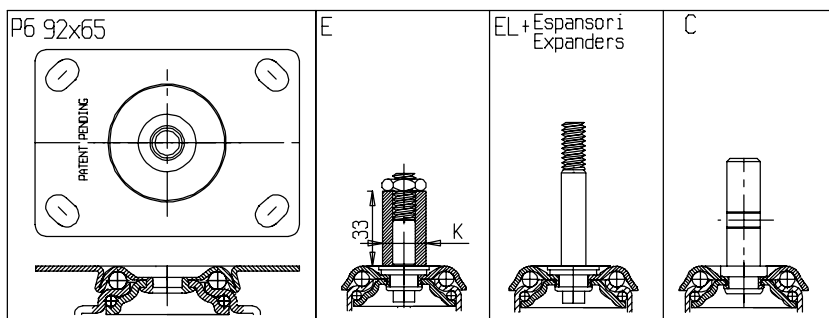
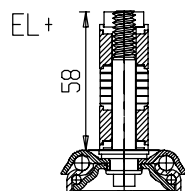
* The static load capacity mentioned for the only forks correspond to 1.5 of dynamic load capacity checked according to UNI 12527 assembling with a nylon wheel

Supporti girevoli Serie 30 per i vari Diametri di Ruote e Gamma di Fissaggi
Swivel forks of the 30 series for the various wheels diameters and fixings range



Espansori Expanders

	∅	18	19	22	25	28
EL+		-	-	-	-	-
	∅	21	26	31	-	-
EL+		-	-	-	-	-

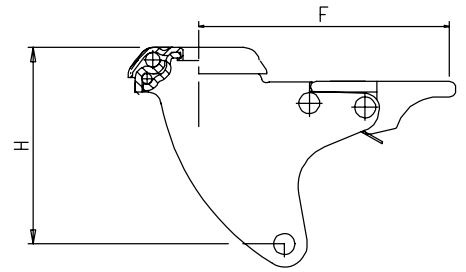


ITEM	65/30/P6	65/30/E	65/30/EL	65/30/C
H	51	51	51	51
B	17.5	17.5	17.5	17.5
S	-	-	-	-
Gr	282	248	228	273
ITEM	75-80/30/P6	75-80/30/E	75-80/30/EL	75-80/30/C
H	62	62	62	62
B	26	26	26	26
S	75	75	75	75
Gr	293	259	269	284
ITEM	100/30/P6	100/30/E	100/30/EL	100/30/C
H	73	73	73	73
B	28.5	28.5	28.5	28.5
S	75	75	75	75
Gr	312	278	288	303
ITEM	125/30/P6	125/30/E	125/30/EL	125/30/C
H	87.5	87.5	87.5	87.5
B	37	37	37	37
S	-	-	-	-
Gr	333	310	320	321

Supporti girevoli con freno serie 30FT per i vari Diametri di Ruote

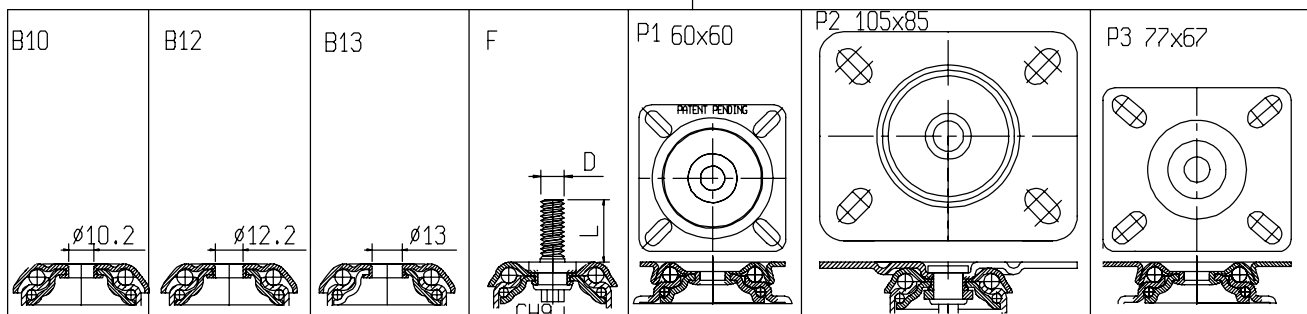
Swivel forks with brake of the 30FT series for the various wheels diameters and fixings range

Materiale: Lamiera ferro secondo standard EN 10130
 Trattamento superficiale: Zincatura passivata UNI ISO 2081
 Corona sfere superiore: n. 17 sfere 1/4" ingrassate
 Corona sfere inferiore: n. 30 sfere 5/32" ingrassate
 Material: Iron sheet subject to EN 10130
 Surface treatment: passivated galvanisation subject to UNI ISO 2081
 Upper ball crown N. 17 greased balls 1/4
 Lower ball crown N. 30 greased balls 5/32



Portata Statica conforme UNI EN 12527
 Static load capacity conform UNI EN 12527

= Peso per 1 pezzo
 = Weight for a piece

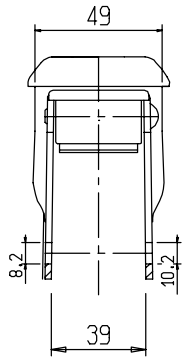


ITEM	75/30FT/B10	75/30FT/B12	75/30FT/B13	75/30FT/F	75/30FT/P1	75/30FT/P2	75/30FT/P3
H	62	62	62	62	62	64.5	62
F	96.5	96.5	96.5	96.5	96.5	96.5	96.5
S	75	75	75	75	75	75	75
	289	289	289	321	324	470	344
ITEM	80/30FT/B10	80/30FT/B12	80/30FT/B13	80/30FT/F	80/30FT/P1	80/30FT/P2	80/30FT/P3
H	62	62	62	62	62	64.5	62
F	96.5	96.5	96.5	96.5	96.5	96.5	96.5
S	75	75	75	75	75	75	75
	289	289	289	321	324	470	344
ITEM	100/30FT/B10	100/30FT/B12	100/30FT/B13	100/30FT/F	100/30FT/P1	100/30FT/P2	100/30FT/P3
H	73	73	73	73	73	75.5	73
F	99.5	99.5	99.5	99.5	99.5	99.5	99.5
S	75	75	75	75	75	75	75
	315	315	315	342	343	489	363
ITEM	125/30FT/B10	125/30FT/B12	125/30FT/B13	125/30FT/F	125/30FT/P1	125/30FT/P2	125/30FT/P3
H	87.5	87.5	87.5	87.5	87.5	90	87.5
F	110	110	110	110	110	110	110
S	-	-	-	-	-	-	-
	326	326	326	355	355	501	375

* La portata statica indicata per i soli supporti corrisponde a 1.5 portata dinamica verificata secondo UNI 12527 montando una ruota in Nylon

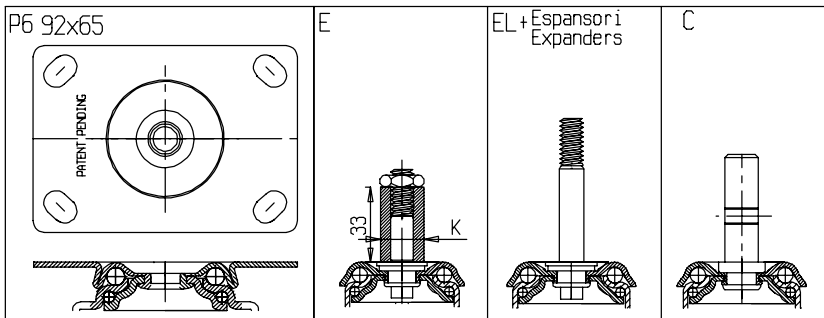
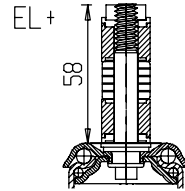
* The static load capacity mentioned for the only forks correspond to 1.5 of dynamic load capacity checked according to UNI 12527 assembling with a nylon wheel

Supporti girevoli con freno serie 30FT per i vari Diametri di Ruote e Gamma di Fissaggi
Swivel forks with brake of the 30FT series for the various wheels diameters and fixings range



Espansori Expanders

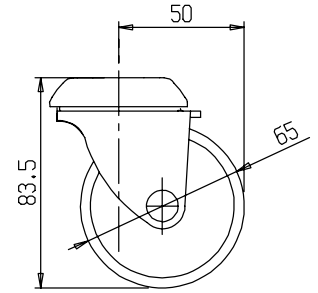
	∅	18	19	22	25	28
EL+		-	-	-	-	-
	∅	21	26	31	-	-
EL+		-	-	-	-	-



ITEM	75/30FT/P6	75/30FT/E	75/30FT/EL	75/30FT/C
H	62	62	62	62
B	96.5	96.5	96.5	96.5
S	75	75	75	75
Gr	359	339	357	348
ITEM	80/30FT/P6	80/30FT/E	80/30FT/EL	80/30FT/C
H	62	62	62	62
B	96.5	96.5	96.5	96.5
S	75	75	75	75
Gr	359	339	357	348
ITEM	100/30FT/P6	100/30FT/E	100/30FT/EL	100/30FT/C
H	73	73	73	73
B	99.5	99.5	99.5	99.5
S	75	75	75	75
Gr	386	344	354	378
ITEM	125/30FT/P6	125/30FT/E	125/30FT/EL	125/30FT/C
H	87.5	87.5	87.5	87.5
B	110	110	110	110
S	-	-	-	-
Gr	398	378	388	389

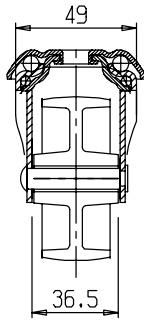
Compressivi girevoli Serie 60 - 65/30 nelle varie tipologie di fissaggi, ruote assemblate
 Swivel castors 60 - 65/30 Series in the different types of fixings, assembled wheels

Requisiti dei Compressivi assemblati alle varie Ruote Requirements of the castors assembled with different wheels	PU	N
Portata Dinamica conforme UNI EN 12527 Dynamic load capacity conform UNI EN 12527	D	100 / 70
Portata Statica conforme UNI EN 12527 Static load capacity conform UNI EN 12527	S	150 / 105



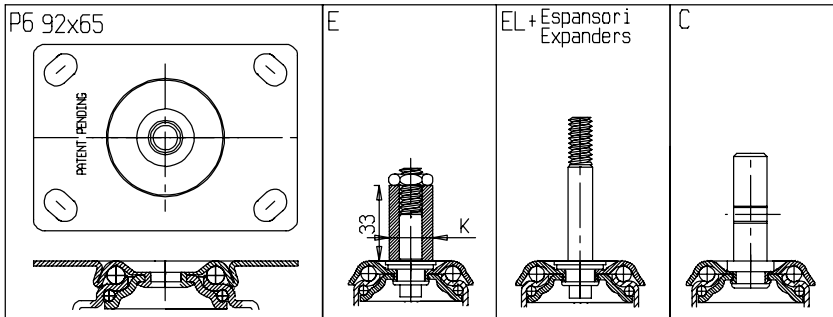
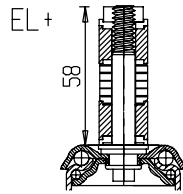
		B10	B12	B13	F	P1 60x60	P2 105x85	P3 77x67
	ITEM	60/30/PUB10	60/30/PUB12	60/30/PUB13	60/30/PUF	60/30/PUP1	60/30/PUP2	60/30/PUP3
		-	-	-	-	-	-	-
	ITEM	65/30/NB10	65/30/NB12	65/30/NB13	65/30/NF	65/30/NP1	65/30/NP2	65/30/NP3
		276	276	276	302	305	451	323

Compressivi girevoli Serie 60 - 65/30 nelle varie tipologie di fissaggi, ruote assemblate
 Swivel castors 60 - 65/30 Series in the different types of fixings, assembled wheels



Espansori Expanders

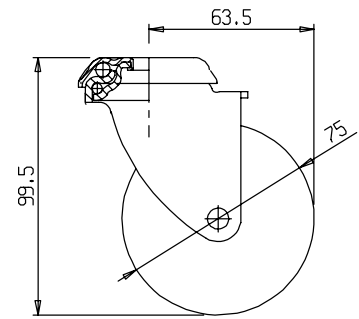
	∅	18	19	22	25	28
EL+		-	-	-	-	-
	∇	21	26	31	-	-
EL+		-	-	-	-	-



ITEM	60/30/PUP6	60/30/PUE	60/30/PUEL	60/30/PUC
	-	-	-	-
ITEM	65/30/NP6	65/30/NEL	65/30/NEL	65/30/NC
	351	324	334	339

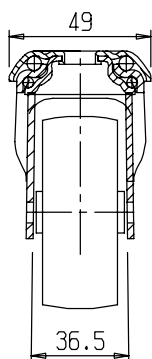
Compressivi Girevoli Serie 75/30 nelle varie tipologie di: Fissaggi, Ruote assemblati
Swivel castors of the 75/30 series with different types of fixings, assembled wheels

Requisiti dei Compressivi assemblati alle varie Ruote Requirements of the castors assembled with the different wheels	G	Gd	Gc	PU	GdA	GcA	N	
Portata Dinamica conforme UNI EN 12527 Dynamic load capacity conform UNI EN 12527	D	80	80	80	100	-	-	50
Portata Statica conforme UNI EN 12527 Static load capacity conform UNI EN 12527	S	120	120	120	150	-	-	75
Conducibilita'Elettrica conforme UNI EN 12527 Electric conductivity in compliance with UNI EN 12527	hom							< 10.000



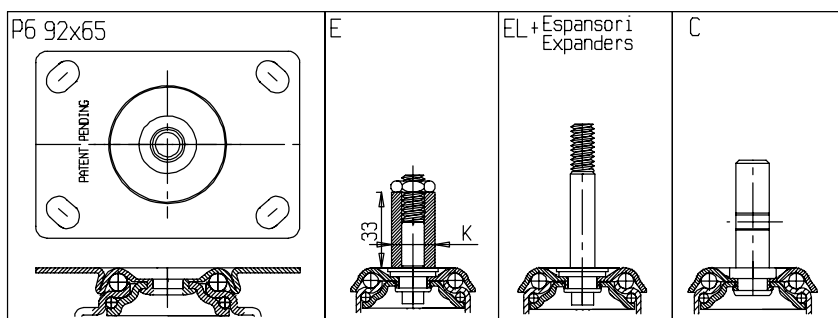
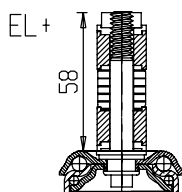
		B10	B12	B13	F	P1 60x60	P2 105x85 P2 ALTEZZA + 2.5 mm. P2 HEIGHT + 2.5 mm	P3 77x67
	ITEM	75/30/GB10	75/30/GB12	75/30/GB13	75/30/GF	75/30/GP1	75/30/GP2	75/30/GP3
		391	391	391	417	420	566	438
	ITEM	75/30/GdB10	75/30/GdB12	75/30/GdB13	75/30/GdF	75/30/GdP1	75/30/GdP2	75/30/GdP3
		405	405	405	431	434	580	452
	ITEM	75/30/GcB10	75/30/GcB12	75/30/GcB13	75/30/GcF	75/30/GcP1	75/30/GcP2	75/30/GcP3
		444	444	444	470	473	619	491
	ITEM	75/30/PUB10	75/30/PUB12	75/30/PUB13	75/30/PUF	75/30/PUP1	75/30/PUP2	75/30/PUP3
		-	-	-	-	-	-	-
	ITEM	75/30/GdAB10	75/30/GdAB12	75/30/GdAB13	75/30/GdAF	75/30/GdAP1	75/30/GdAP2	75/30/GdAP3
		405	405	405	431	434	580	452
	ITEM	75/30/GcAB10	75/30/GcAB12	75/30/GcAB13	75/30/GcAF	75/30/GcAP1	75/30/GcAP2	75/30/GcAP3
		444	444	444	470	473	619	491
	ITEM	75/30/NB10	75/30/NB12	75/30/NB13	75/30/NF	75/30/NP1	75/30/NP2	75/30/NP3
		299	299	299	325	328	474	346

Compressivi Girevoli Serie 75/30 nelle varie tipologie di: Fissaggi, Ruote assemblati
Swivel castors of the 75/30 series with different types of fixings, assembled wheels



Espansori Expanders

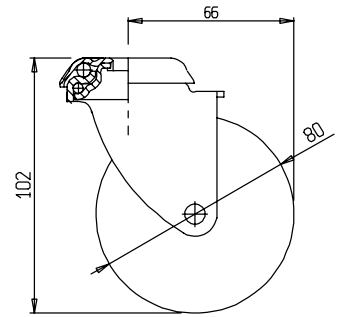
	∅	18	19	22	25	28
EL +		-	-	-	-	-
	∅	21	26	31	-	-
EL +		-	-	-	-	-



ITEM	75/30/GP6	75/30/GE	75/30/GEL	75/30/GC
	466	440	450	454
ITEM	75/30/GdP6	75/30/GdE	75/30/GdEL	75/30/GdC
	480	453	463	468
ITEM	75/30/GcP6	75/30/GcE	75/30/GcEL	75/30/GcC
	519	493	503	507
ITEM	75/30/PP6	75/30/PUE	75/30/PUEL	75/30/PUC
	-	-	-	-
ITEM	75/30/GdAP6	75/30/GdAE	75/30/GdAEL	75/30/GdAC
	480	453	463	468
ITEM	75/30/GcAP6	75/30/GcAE	75/30/GcAEL	75/30/GcAC
	519	493	503	507
ITEM	75/30/NP6	75/30/NE	75/30/NEL	75/30/NC
	374	347	357	362

Compressivi Girevoli Serie 80/30 nelle varie tipologie di: Fissaggi, Ruote assemblati
Swivel castors of the 80/30 series with different types of fixings, assembled wheels

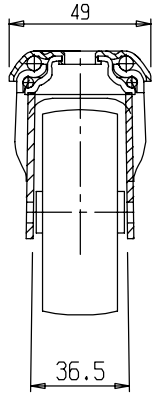
Requisiti dei Compressivi assemblati alle varie Ruote Requirements of the castors assembled with the different wheels	G	Gd	Gc	GdA	GcA	N	
Portata Dinamica conforme UNI EN 12527 Dynamic load capacity conform UNI EN 12527	D	85	85	85	-	-	50
Portata Statica conforme UNI EN 12527 Static load capacity conform UNI EN 12527	S	127.5	127.5	127.5	-	-	75
Conducibilita'Elettrica conforme UNI EN 12527 Electric conductivity in compliance with UNI EN 12527	hom						< 10.000



		B10	B12	B13	F	P1 60x60	P2 105x85 P2 ALTEZZA + 2.5mm P2 HEIGHT + 2.5mm	P3 77x67
	$\varnothing 10.2$	$\varnothing 12.2$	$\varnothing 13$	D	PATENT PENDING			
$\varnothing 9P$ = Peso per 1 pezzo $\varnothing 9P$ = Weight for a piece								
	ITEM	80/30/GB10	80/30/GB12	80/30/GB13	80/30/GF	80/30/GP1	80/30/GP2	80/30/GP3
	$\varnothing 9P$	417	417	417	442	446	592	464
	ITEM	80/30/GdB10	80/30/GdB12	80/30/GdB13	80/30/GdF	80/30/GdP1	80/30/GdP2	80/30/GdP3
	$\varnothing 9P$	430	430	430	456	459	605	477
	ITEM	80/30/GcB10	80/30/GcB12	80/30/GcB13	80/30/GcF	80/30/GcP1	80/30/GcP2	80/30/GcP3
	$\varnothing 9P$	462	462	462	494	491	637	509
	ITEM	80/30/GdAB10	80/30/GdAB12	80/30/GdAB13	80/30/GdAF	80/30/GdAP1	80/30/GdAP2	80/30/GdAP3
	$\varnothing 9P$	430	430	430	456	459	605	477
	ITEM	80/30/GcAB10	80/30/GcAB12	80/30/GcAB13	80/30/GcAF	80/30/GcAP1	80/30/GcAP2	80/30/GcAP3
	$\varnothing 9P$	462	462	462	494	491	637	509
	ITEM	80/30/NB10	80/30/NB12	80/30/NB13	80/30/NF	80/30/NP1	80/30/NP2	80/30/NP3
	$\varnothing 9P$	316	316	316	341	345	491	363

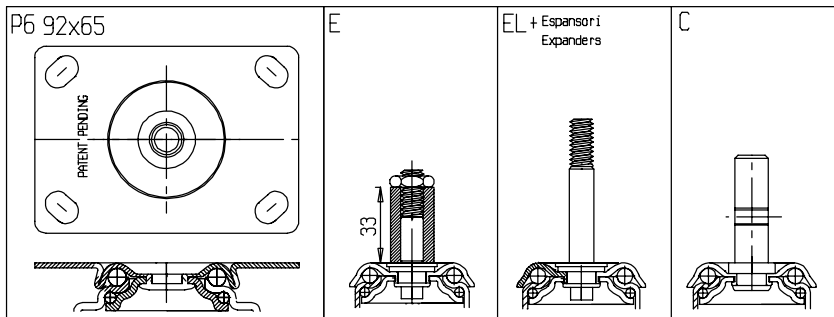
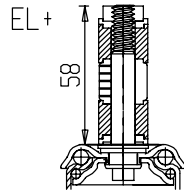
ITEM	80/30/G-Gd-GA	ITEM	80/30/N	ITEM	80/30/G-Gd-Gc
	con Asse Rivettato With riveted axle		con Asse a Vite With screw axle		Nucleo Grigio Grey Centre
	-		-		-

Compressivi Girevoli Serie 80/30 nelle varie tipologie di: Fissaggi, Ruote assemblati
Swivel castors of the 80/30 series with different types of fixings, assembled wheels



Espansori Expanders

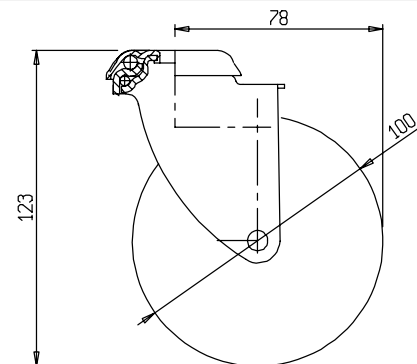
	∅	18	19	22	25	28
EL +		-	-	-	-	-
	∇	21	26	31	-	-
EL +		-	-	-	-	-



ITEM	80/30/GP6	80/30/GE	80/30/GEL	80/30/GC
	492	465	475	480
ITEM	80/30/GdP6	80/30/GdE	80/30/GdEL	80/30/GdC
	505	478	488	493
ITEM	80/30/GcP6	80/30/GcE	80/30/GcEL	80/30/GcC
	537	510	520	525
ITEM	80/30/GdAP6	80/30/GdAE	80/30/GdAEL	80/30/GdAC
	505	478	488	493
ITEM	80/30/GcAP6	80/30/GcAE	80/30/GcAEL	80/30/GcAC
	537	510	520	525
ITEM	80/30/NP6	80/30/NE	80/30/NEL	80/30/NC
	391	364	374	379

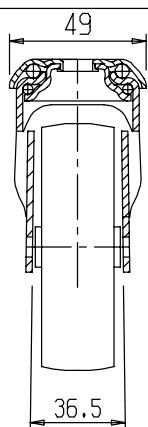
Compressivi Girevoli Serie 100/30 nelle varie tipologie di: Fissaggi, Ruote assemblati
Swivel castors of the 100/30 series with different types of fixings, assembled wheels

Requisiti dei Compressivi assemblati alle varie Ruote Requirements of the castors assembled with the different wheels	G	Gd	GCC	GdA	GCCA	SR	N
Portata Dinamica conforme UNI EN 12527 Dynamic load capacity conform UNI EN 12527	D	100	100	100	-	-	50
Portata Statica conforme UNI EN 12527 Static load capacity conform UNI EN 12527	S	150	150	150	-	-	75
Conducibilità Elettrica conforme UNI EN 12527 Electric conductivity in compliance with UNI EN 12527	hom				< 10.000		



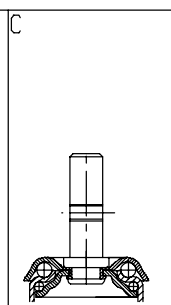
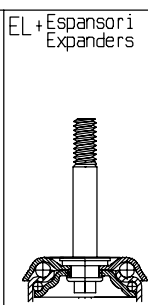
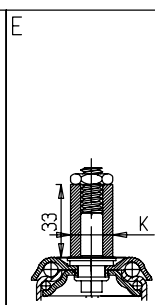
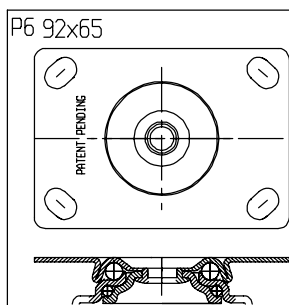
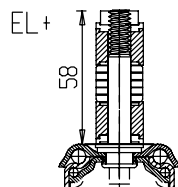
		B10	B12	B13	F	P1 60x60	P2 105x85 P2 ALTEZZA + 2.5 mm. P2 HEIGHT + 2.5 mm	P3 77x67
= Peso per 1 pezzo = Weight for a piece								
100G	ITEM	100/30/GB10	100/30/GB12	100/30/GB13	100/30/GF	100/30/GP1	100/30/GP2	100/30/GP3
		505	505	505	532	534	680	552
100Gd	ITEM	100/30/GdB10	100/30/GdB12	100/30/GdB13	100/30/GdF	100/30/GdP1	100/30/GdP2	100/30/GdP3
		556	556	556	582	585	731	603
100GCC	ITEM	100/30/GCCB10	100/30/GCCB12	100/30/GCCB13	100/30/GCCF	100/30/GCCP1	100/30/GCCP2	100/30/GCCP3
		548	548	548	574	577	723	595
100GdA	ITEM	100/30/GdAB10	100/30/GdAB12	100/30/GdAB13	100/30/GdAF	100/30/GdAP1	100/30/GdAP2	100/30/GdAP3
		556	556	556	582	585	731	603
100GCCA	ITEM	100/30/GCCAB10	100/30/GCCAB12	100/30/GCCAB13	100/30/GCCAF	100/30/GCCAP1	100/30/GCCAP2	100/30/GCCAP3
		511	511	511	537	540	686	558
100SR	ITEM	100/30/SRB10	100/30/SRB12	100/30/SRB13	100/30/SRF	100/30/SRP1	100/30/SRP2	100/30/SRP3
		382	382	382	407	411	557	429
100N	ITEM	100/30/NB10	100/30/NB12	100/30/NB13	100/30/NF	100/30/NP1	100/30/NP2	100/30/NP3
		362	362	362	387	391	537	409

Compressivi Girevoli Serie 100/30 nelle varie tipologie di: Fissaggi, Ruote assemblati
Swivel castors of the 100/30 series with different types of fixings, assembled wheels



Espansori Expanders

	∅	18	19	22	25	28
EL +		-	-	-	-	-
	∇	21	26	31	-	-
EL +		-	-	-	-	-



ITEM	100/30/GP6	100/30/GE	100/30/GEL	100/30/GC
	580	553	563	568

ITEM	100/30/GdP6	100/30/GdE	100/30/GdEL	100/30/GdC
	631	610	620	625

ITEM	100/30/GCCP6	100/30/GCCAE	100/30/GCCAEEL	100/30/GCCAC
	623	596	606	611

ITEM	100/30/GdAP6	100/30/GdAE	100/30/GdAEEL	100/30/GdAC
	631	610	620	625

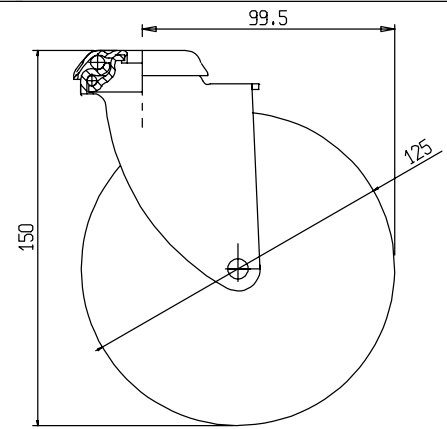
ITEM	100/30/GCCAP6	100/30/GCCAE	100/30/GCCAEEL	100/30/GCCAC
	586	559	569	574

ITEM	100/30/SRP6	100/30/SRE	100/30/SREL	100/30/SRC
	457	430	440	445

ITEM	100/30/NP6	100/30/NE	100/30/NEL	100/30/NC
	437	410	420	425

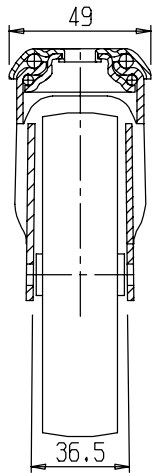
Compressivi Girevoli Serie 125/30 nelle varie tipologie di: Fissaggi, Ruote assemblati
Swivel castors of the 125/30 series with different types of fixings, assembled wheels

Requisiti dei Compressivi assemblati alle varie Ruote Requirements of the castors assembled with the different wheels	G	Gd	GCC	GdA	GCCA	SR	SRd	N
Portata Dinamica conforme UNI EN 12527 Dynamic load capacity conform UNI EN 12527	D	100	100	100	-	-	-	45
Portata Statica conforme UNI EN 12527 Static load capacity conform UNI EN 12527	S	150	150	150	-	-	-	67.5
Conducibilita' Elettrica conforme UNI EN 12527 Electric conductivity in compliance with UNI EN 12527	hom				< 10.000			



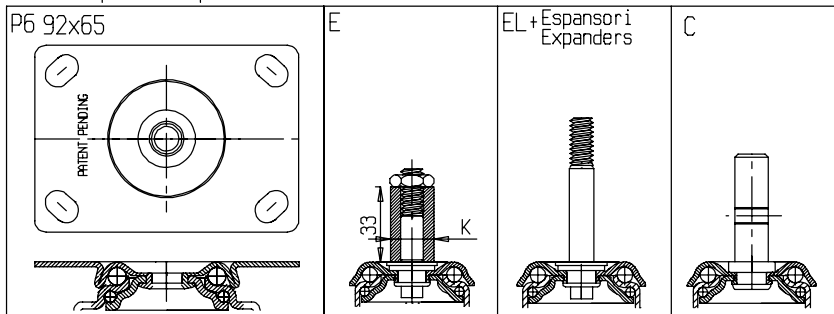
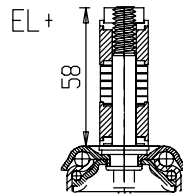
		B10	B12	B13	F	P1 60x60	P2 105x85 P2 ALTEZZA + 2.5 mm. P2 HEIGHT + 2.5 mm	P3 77x67
125G	ITEM	125/30/GB10	125/30/GB12	125/30/GB13	125/30/GF	125/30/GP1	125/30/GP2	125/30/GP3
		609	609	609	638	638	784	656
125Gd	ITEM	125/30/GdB10	125/30/GdB12	125/30/GdB13	125/30/GdF	125/30/GdP1	125/30/GdP2	125/30/GdP3
		650	650	650	679	679	825	697
125GCC	ITEM	125/30/GCCB10	125/30/GCCB12	125/30/GCCB13	125/30/GCCF	125/30/GCCP1	125/30/GCCP2	125/30/GCCP3
		661	661	661	690	690	836	708
125GdA	ITEM	125/30/GdAB10	125/30/GdAB12	125/30/GdAB13	125/30/GdAF	125/30/GdAP1	125/30/GdAP2	125/30/GdAP3
		650	650	650	679	679	825	697
125GCCA	ITEM	125/30/GCCAB10	125/30/GCCAB12	125/30/GCCAB13	125/30/GCCAF	125/30/GCCAP1	125/30/GCCAP2	125/30/GCCAP3
		596	596	596	625	625	771	643
125SR	ITEM	125/30/SRB10	125/30/SRB12	125/30/SRB13	125/30/SRF	125/30/SRP1	125/30/SRP2	125/30/SRP3
		400	400	400	490	429	575	447
125SRd	ITEM	125/30/SRdB10	125/30/SRdB12	125/30/SRdB13	125/30/SRdF	125/30/SRdP1	125/30/SRdP2	125/30/SRdP3
		441	441	441	531	470	616	488
125N	ITEM	125/30/NB10	125/30/NB12	125/30/NB13	125/30/NF	125/30/NP1	125/30/NP2	125/30/NP3
		380	380	380	470	409	555	427

Compressivi Girevoli Serie 125/30 nelle varie tipologie di:Fissaggi,Ruote assemblati
Swivel castors of the 125/30 series with different types of fixings, assembled wheels



Espansori Expanders

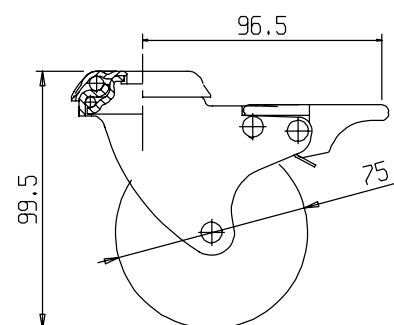
	∅	18	19	22	25	28
EL+		-	-	-	-	-
	∅	21	26	31	-	-
EL+		-	-	-	-	-



ITEM	125/30/GP6	125/30/GE	125/30/GEL	125/30/GC
	681	661	671	672
ITEM	125/30/GdP6	125/30/GdE	125/30/GdEL	125/30/GdC
	722	702	712	713
ITEM	125/30/GCCP6	125/30/GCCE	125/30/GCCEL	125/30/GCCC
	733	713	723	724
ITEM	125/30/GdAP6	125/30/GdAE	125/30/GdAEL	125/30/GdAC
	722	702	712	713
ITEM	125/30/GCCAP6	125/30/GCCAE	125/30/GCCAEL	125/30/GCCAC
	668	648	658	659
ITEM	125/30/SRP6	125/30/SRE	125/30/SREL	125/30/SRC
	472	452	462	463
ITEM	125/30/SRdP6	125/30/SRdE	125/30/SRdEL	125/30/SRdC
	513	493	503	504
ITEM	125/30/NP6	125/30/NE	125/30/NEL	125/30/NC
	452	432	442	443

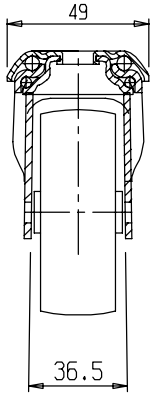
Compressivi Girevoli Dotati di Freno Serie 75/30FT nelle varie tipologie di:Fissaggi,Ruote assemblati
Swivel castors with brake of the 75/30FT series with different types of fixings, assembled wheels

Requisiti dei Compressivi assemblati alle varie Ruote Requirements of the castors assembled with the different wheels	G	Gd	Gc	PU	GdA	GcA	N
Portata Dinamica conforme UNI EN 12527 Dynamic load capacity conform UNI EN 12527	D	80	80	80	100	-	50
Portata Statica conforme UNI EN 12527 Static load capacity conform UNI EN 12527	S	120	120	120	150	-	75
Resistenza Passiva del Dispositivo Frenante Conforme UNI EN 12527 Passive resistance of braking device compliance with UNI EN 12527	FT						
Conducibilita'Elettrica conforme UNI EN 12527 Electric conductivity in compliance with UNI EN 12527	hom					< 10.000	



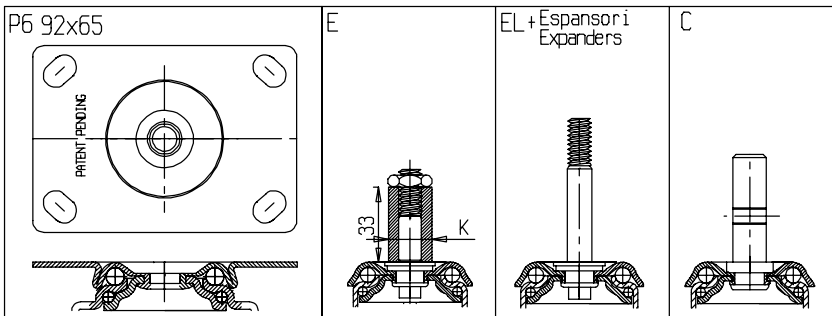
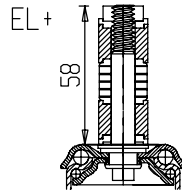
	B10	B12	B13	F	P1 60x60	P2 ALTEZZA + 2.5 mm. P2 HEIGHT + 2.5 mm P2 105x85	P3 77x67
= Peso per 1 pezzo = Weight for a piece							
	ITEM 75/30FT/GB10	75/30FT/GB12	75/30FT/GB13	75/30FT/GF	75/30FT/GP1	75/30FT/GP2	75/30FT/GP3
	458	458	458	485	485	572	503
	ITEM 75/30FT/GdB10	75/30FT/GdB12	75/30FT/GdB13	75/30FT/GdF	75/30FT/GdP1	75/30FT/GdP2	75/30FT/GdP3
	470	470	470	499	499	586	517
	ITEM 75/30FT/GcB10	75/30FT/GcB12	75/30FT/GcB13	75/30FT/GcF	75/30FT/GcP1	75/30FT/GcP2	75/30FT/GcP3
	509	509	509	538	538	625	556
	ITEM 75/30FT/PUB10	75/30FT/PUB12	75/30FT/PUB13	75/30FT/PUF	75/30FT/PUP1	75/30FT/PUP2	75/30FT/PUP3
	509	509	509	538	538	625	556
	ITEM 75/30FT/GdAB10	75/30FT/GdAB12	75/30FT/GdAB13	75/30FT/GdAF	75/30FT/GdAP1	75/30FT/GdAP2	75/30FT/GdAP3
	470	470	470	499	499	586	517
	ITEM 75/30FT/GcAB10	75/30FT/GcAB12	75/30FT/GcAB13	75/30FT/GcAF	75/30FT/GcAP1	75/30FT/GcAP2	75/30FT/GcAP3
	509	509	509	538	538	625	556
	ITEM 75/30FT/NB10	75/30FT/NB12	75/30FT/NB13	75/30FT/NF	75/30FT/NP1	75/30FT/NP2	75/30FT/NP3
	364	364	364	393	393	480	411

Compressivi Girevoli Dotati di Freno Serie 75/30FT nelle varie tipologie di: Fissaggi, Ruote assemblati
 Swivel castors with brake of the 75/30FT series with different types of fixings, assembled wheels



Espansori Expanders

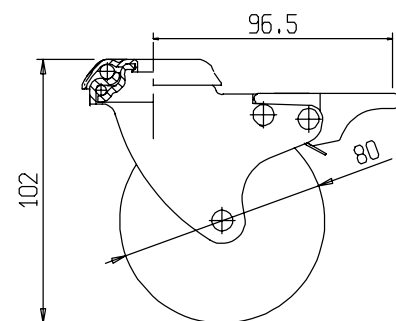
	∅	18	19	22	25	28
EL +		-	-	-	-	-
	∅	21	26	31	-	-
EL +		-	-	-	-	-



ITEM	75/30FT/GP6	75/30FT/GE	75/30FT/GEL	75/30FT/GC
	531	504	514	519
ITEM	75/30FT/GdP6	75/30FT/GdE	75/30FT/GdEL	75/30FT/GdC
	545	518	528	533
ITEM	75/30FT/GcP6	75/30FT/GcE	75/30FT/GcEL	75/30FT/GcC
	584	557	567	572
ITEM	75/30FT/PU6	75/30FT/PU6E	75/30FT/PU6EL	75/30FT/PU6C
	-	-	-	-
ITEM	75/30FT/GdAP6	75/30FT/GdAE	75/30FT/GdAEL	75/30FT/GdAC
	-	-	-	-
ITEM	75/30FT/GcAP6	75/30FT/GcAE	75/30FT/GcAEL	75/30FT/GcAC
	-	-	-	-
ITEM	75/30FT/NP6	75/30FT/NE	75/30FT/NEL	75/30FT/NC
	439	412	422	427

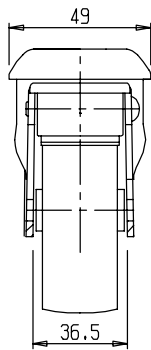
Compressivi Girevoli Dotati di Freno Serie 80/30FT nelle varie tipologie di: Fissaggi, Ruote assemblati
Swivel castors with brake the 80/30FT series with different types of fixings, assembled wheels

Requisiti dei Compressivi assemblati alle varie Ruote Requirements of the castors assembled with the different wheels	G	Gd	Gc	GdA	GcA	N
Portata Dinamica conforme UNI EN 12527 Dynamic load capacity conform UNI EN 12527	D	85	85	85	-	50
Portata Statica conforme UNI EN 12527 Static load capacity conform UNI EN 12527	S	127.5	127.5	127.5	-	75
Resistenza Passiva del Dispositivo Frenante Conforme UNI EN 12527 Passive resistance of braking device in compliance with UNI EN 12527	FT	-	-	-	-	-
Conducibilita' Elettrica conforme UNI EN 12527 Electric conductivity in compliance with UNI EN 12527	hom				< 10.000	



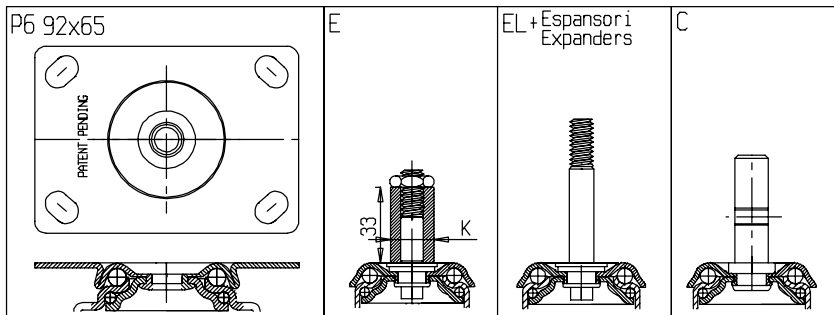
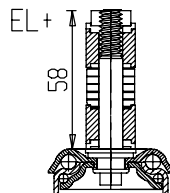
		B10	B12	B13	F	P1 60x60	P2 105x85 P2 ALTEZZA + 2.5 mm. P2 HEIGHT + 2.5 mm	P3 77x67
	ITEM	80/30FT/GB10	80/30FT/GB12	80/30FT/GB13	80/30FT/GF	80/30FT/GP1	80/30FT/GP2	80/30FT/GP3
		488	488	488	516	517	652	583
		-	-	-	-	-	-	-
	ITEM	80/30FT/GdB10	80/30FT/GdB12	80/30FT/GdB13	80/30FT/GdF	80/30FT/GdP1	80/30FT/GdP2	80/30FT/GdP3
		499	499	499	527	528	663	594
		-	-	-	-	-	-	-
	ITEM	80/30FT/GcB10	80/30FT/GcB12	80/30FT/GcB13	80/30FT/GcF	80/30FT/GcP1	80/30FT/GcP2	80/30FT/GcP3
		532	532	532	560	561	696	627
		-	-	-	-	-	-	-
	ITEM	80/30FT/GdAB10	80/30FT/GdAB12	80/30FT/GdAB13	80/30FT/GdAF	80/30FT/GdAP1	80/30FT/GdAP2	80/30FT/GdAP3
		499	499	499	527	528	663	594
		-	-	-	-	-	-	-
	ITEM	80/30FT/GcAB10	80/30FT/GcAB12	80/30FT/GcAB13	80/30FT/GcAF	80/30FT/GcAP1	80/30FT/GcAP2	80/30FT/GcAP3
		532	532	532	560	561	696	627
		-	-	-	-	-	-	-
	ITEM	80/30FT/NB10	80/30FT/NB12	80/30FT/NB13	80/30FT/NF	80/30FT/NP1	80/30FT/NP2	80/30FT/NP3
		386	386	386	414	415	550	481
		-	-	-	-	-	-	-

Compressivi Girevoli Dotati di Freno Serie 80/30FT nelle varie tipologie di Fissaggi, Ruote assemblati
 Swivel castors with brake the 80/30FT series with different types of fixings, assembled wheels



Espansori Expanders

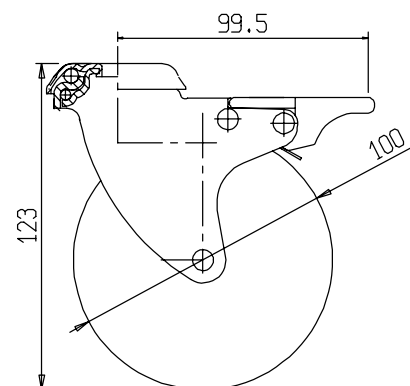
	∅	18	19	22	25	28
EL +		-	-	-	-	-
	∇	21	26	31	-	-
EL +		-	-	-	-	-



ITEM	80/30FT/GP6	80/30FT/GE	80/30FT/GEL	80/30FT/GC
	596	540	550	551
ITEM	80/30FT/GdP6	80/30FT/GdE	80/30FT/GdEL	80/30FT/GdC
	607	551	561	562
ITEM	80/30FT/GcP6	80/30FT/GcE	80/30FT/GcEL	80/30FT/GcC
	640	584	594	595
ITEM	80/30FT/GdAP6	80/30FT/GdAE	80/30FT/GdAEL	80/30FT/GdAC
	607	551	561	562
ITEM	80/30FT/GcAP6	80/30FT/GcAE	80/30FT/GcAEL	80/30FT/GcAC
	640	584	594	595
ITEM	80/30FT/NP6	80/30FT/NE	80/30FT/NEL	80/30FT/NC
	494	438	448	449

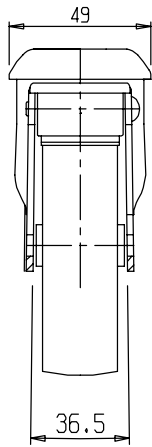
Compressivi Girevoli Dotati di Freno Serie 100/30FT nelle varie tipologie di: Fissaggi, Ruote assemblati
Swivel castors with brake of the 100/30FT series with different types of fixings, assembled wheels

Requisiti dei Compressivi assemblati alle varie Ruote Requirements of the castors assembled with the different wheels	G	Gd	GCC	GdA	GCCA	SR	N
Portata Dinamica conforme UNI EN 12527 Dynamic load capacity conform UNI EN 12527	D	100	100	100	-	-	50
Portata Statica conforme UNI EN 12527 Static load capacity conform UNI EN 12527	S	150	150	150	-	-	75
Resistenza Passiva del Dispositivo Frenante Conforme UNI EN 12527 Passive resistance of braking device in compliance with UNI EN 12527	FT	-	-	-	-	-	-
Conducibilita' Elettrica conforme UNI EN 12527 Electric conductivity in compliance with UNI EN 12527	hom						< 10,000



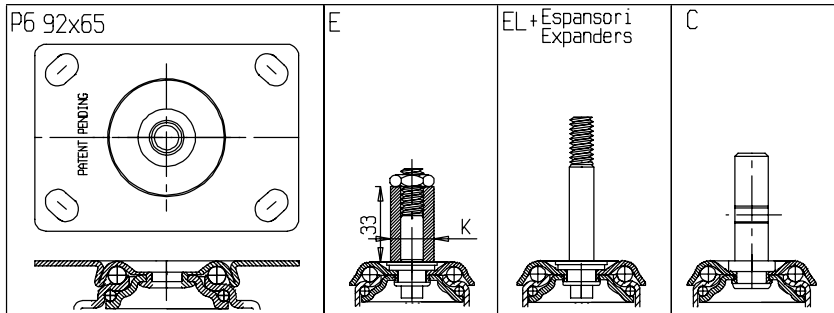
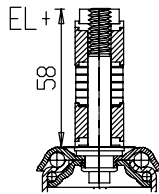
		B10	B12	B13	F	P1 60x60	P2 105x85 P2 ALTEZZA + 2.5 mm. P2 HEIGHT + 2.5 mm	P3 77x67
= Peso per 1 pezzo = Weight for a piece								
	ITEM	100/30FT/GB10	100/30FT/GB12	100/30FT/GB13	100/30FT/GF	100/30FT/GP1	100/30FT/GP2	100/30FT/GP3
		579	579	579	607	608	743	667
	ITEM	100/30FT/GdB10	100/30FT/GdB12	100/30FT/GdB13	100/30FT/GdF	100/30FT/GdP1	100/30FT/GdP2	100/30FT/GdP3
		630	630	630	658	659	794	718
	ITEM	100/30FT/GCCB10	100/30FT/GCCB12	100/30FT/GCCB13	100/30FT/GCCF	100/30FT/GCCP1	100/30FT/GCCP2	100/30FT/GCCP3
		623	623	623	650	652	787	711
	ITEM	100/30FT/GdAB10	100/30FT/GdAB12	100/30FT/GdAB13	100/30FT/GdAF	100/30FT/GdAP1	100/30FT/GdAP2	100/30FT/GdAP3
		630	630	630	658	659	794	718
	ITEM	100/30FT/GCCAB10	100/30FT/GCCAB12	100/30FT/GCCAB13	100/30FT/GCCAF	100/30FT/GCCAP1	100/30FT/GCCAP2	100/30FT/GCCAP3
		586	586	586	613	615	750	674
	ITEM	100/30FT/SRB10	100/30FT/SRB12	100/30FT/SRB13	100/30FT/SRF	100/30FT/SRP1	100/30FT/SRP2	100/30FT/SRP3
		456	456	456	481	485	631	503
	ITEM	100/30FT/NB10	100/30FT/NB12	100/30FT/NB13	100/30FT/NF	100/30FT/NP1	100/30FT/NP2	100/30FT/NP3
		404	404	404	432	433	568	492

Compressivi Girevoli Dotati di Freno Serie 100/30FT nelle varie tipologie di: Fissaggi, Ruote assemblati
Swivel castors with brake of the 100/30FT series with different types of fixings, assembled wheels



Espansori Expanders

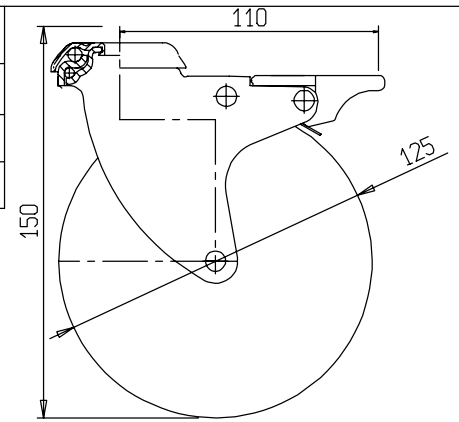
	∅	18	19	22	25	28
EL +		-	-	-	-	-
	∇	21	26	31	-	-
EL +		-	-	-	-	-



ITEM	100/30FT/GP6	100/30FT/GE	100/30FT/GEL	100/30FT/GC
	654	627	637	642
ITEM	100/30FT/GdP6	100/30FT/GE	100/30FT/GdEL	100/30FT/GdC
	705	684	694	699
ITEM	100/30FT/GCCP6	100/30FT/GE	100/30FT/GCCEL	100/30FT/GCCC
	697	670	680	685
ITEM	100/30FT/GdAP6	100/30FT/GE	100/30FT/GdAEL	100/30FT/GdAC
	705	684	694	699
ITEM	100/30FT/GCCAP6	100/30FT/GCCAE	100/30FT/GCCAEL	100/30FT/GCCAC
	660	633	643	648
ITEM	100/30FT/SRP6	100/30FT/SRE	100/30FT/SREL	100/30FT/SRC
	531	504	514	519
ITEM	100/30FT/NP6	100/30FT/NE	100/30FT/NEL	100/30FT/NC
	483	456	466	467

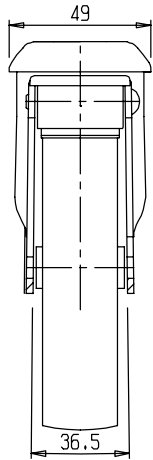
Compressivi Girevoli Dotati di Freno Serie 125/30FT nelle varie tipologie di: Fissaggi, Ruote assemblati
Swivel castors with brake the 125/30FT series with different types of fixing, assembled wheels

Requisiti dei Compressivi assemblati alle varie Ruote Requirements of the castors assembled with the different wheels	G	Gd	GCC	GdA	GCCA	SR	SRd	N
Portata Dinamica conforme UNI EN 12527 Dynamic load capacity conform UNI EN 12527		100	100	100	-	-	-	45
Portata Statica conforme UNI EN 12527 Static load capacity conform UNI EN 12527		150	150	150	-	-	-	67.5
Resistenza Passiva del Dispositivo Frenante Conforme UNI EN 12527 Passive resistance of braking device in compliance with UNI EN 12527		-	-	-	-	-	-	-
Conducibilita' Elettrica conforme UNI EN 12527 Electric conductivity in compliance with UNI EN 12527					< 10.000			



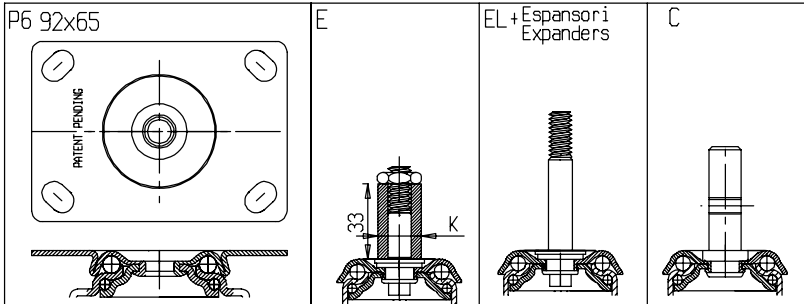
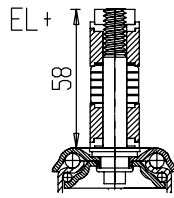
		B10	B12	B13	F	P1 60x60	P2 105x85 P2 ALTEZZA + 2.5 mm. P2 HEIGHT + 2.5 mm	P3 77x67
	ITEM	125/30FT/GB10	125/30FT/GB12	125/30FT/GB13	125/30FT/GF	125/30FT/GP1	125/30FT/GP2	125/30FT/GP3
		677	677	677	706	706	852	879
125G								
	ITEM	125/30FT/GdB10	125/30FT/GdB12	125/30FT/GdB13	125/30FT/GdF	125/30FT/GdP1	125/30FT/GdP2	125/30FT/GdP3
		718	718	718	747	747	893	765
125Gd								
	ITEM	125/30FT/GCCB10	125/30FT/GCCB12	125/30FT/GCCB13	125/30FT/GCCF	125/30FT/GCCP1	125/30FT/GCCP2	125/30FT/GCCP3
		729	729	729	758	758	904	776
125GCC								
	ITEM	125/30FT/GdAB10	125/30FT/GdAB12	125/30FT/GdAB13	125/30FT/GdAF	125/30FT/GdAP1	125/30FT/GdAP2	125/30FT/GdAP3
		718	718	718	747	747	893	765
125GdA								
	ITEM	125/30FT/GCCAB10	125/30FT/GCCAB12	125/30FT/GCCAB13	125/30FT/GCCAF	125/30FT/GCCAP1	125/30FT/GCCAP2	125/30FT/GCCAP3
		664	664	664	693	693	839	711
125GCCA								
	ITEM	125/30FT/SRB10	125/30FT/SRB12	125/30FT/SRB13	125/30FT/SRF	125/30FT/SRP1	125/30FT/SRP2	125/30FT/SRP3
		468	468	468	558	497	643	515
125SR								
	ITEM	125/30FT/SRdB10	125/30FT/SRdB12	125/30FT/SRdB13	125/30FT/SRdF	125/30FT/SRdP1	125/30FT/SRdP2	125/30FT/SRdP3
		509	509	509	599	538	684	556
125SRd								
	ITEM	125/30FT/NB10	125/30FT/NB12	125/30FT/NB13	125/30FT/NF	125/30FT/NP1	125/30FT/NP2	125/30FT/NP3
		490	490	490	519	519	654	578
125N								

Compressivi Girevoli Dotati di Freno Serie 125/30FT nelle varie tipologie di: Fissaggi, Ruote assemblati
 Swivel castors with brake the 125/30FT series with different types of fixing, assembled wheels



Espansori Expanders

	∅	18	19	22	25	28
EL+		-	-	-	-	-
	∇	21	26	31	-	-
EL+		-	-	-	-	-



ITEM	125/30FT/GP6	125/30FT/GE	125/30FT/GEL	125/30FT/GC
	749	729	739	740

ITEM	125/30FT/GdP6	125/30FT/GdE	125/30FT/GdEL	125/30FT/GdC
	790	770	780	781

ITEM	125/30FT/GCCP6	125/30FT/GCCE	125/30FT/GCCEL	125/30FT/GCCC
	801	781	791	792

ITEM	125/30FT/GdAP6	125/30FT/GdAE	125/30FT/GdAEL	125/30FT/GdAC
	790	770	780	781

ITEM	125/30FT/GCCAP6	125/30FT/GCCAE	125/30FT/GCCAEL	125/30FT/GCCAC
	736	716	726	727

ITEM	125/30FT/SRP6	125/30FT/SRE	125/30FT/SREL	125/30FT/SRC
	540	520	530	531

ITEM	125/30FT/SRdP6	125/30FT/SRdE	125/30FT/SRdEL	125/30FT/SRdC
	581	561	571	572

ITEM	125/30FT/NP6	125/30FT/NE	125/30FT/NEL	125/30FT/NC
	598	542	552	553

Supporti fissi Serie 30 per i vari Diametri di Ruote e Gamma di Fissaggi Fixed forks of the 30 series for the various wheel diameters and fixings range

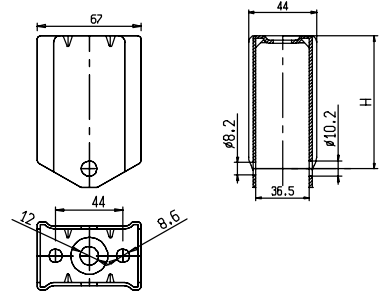
Materiale: Lamiera ferro secondo standard EN 10130
 Trattamento superficiale, Zincatura passivata UNI ISO 2081
 Material: Iron sheet subject to EN 10130
 Surface treatment: passivated galvanisation subject to UNI ISO 2081

* La portata statica indicata per i soli supporti corrisponde a 1.5
 portata dinamica, verificata secondo UNI 12527 montando una ruota in Nylon

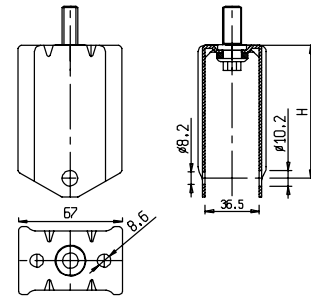
S Portata statica conforme UNI EN 12527 *
 S Static load capacity conform UNI EN 12527 *
 S =Peso per 1 pezzo
 S =Weight for a piece

* The static load capacity mentioned for the only forks correspond to 1.5 of
 dynamic load capacity checked according to UNI 12527 assembling with a nylon wheel

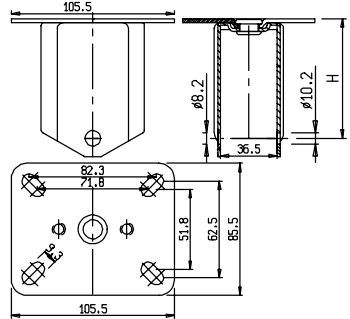
ITEM	65/30/SF	75-80/30/SF	100/30/SF	125/30/SF
H	51	63	74	87.5
S	105	120	120	120
S	136	162	186	206



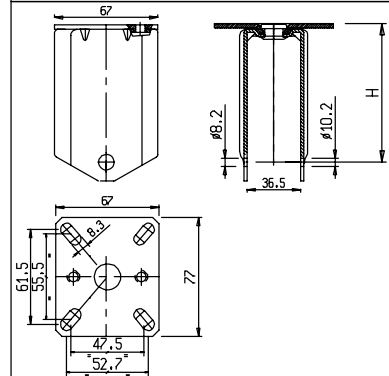
ITEM	65/30/SFF	75-80/30/SFF	100/30/SFF	125/30/SFF
H	51	63	74	87.5
S	105	120	120	120
S	172	192	222	242



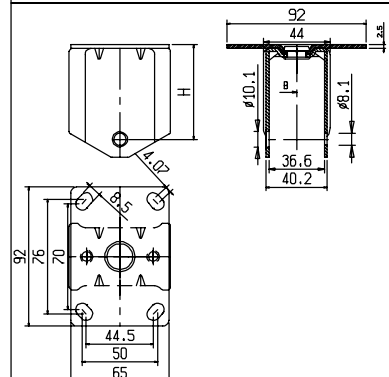
ITEM	65/30/SFP2	75-80/30/SFP2	100/30/SFP2	125/30/SFP2
H	51	63	74	87.5
S	105	120	120	136
S	317	343	367	387



ITEM	65/30/SFP3	75-80/30/SFP3	100/30/SFP3	125/30/SFP3
H	51	63	74	87.5
S	105	120	120	135
S	261	287	311	331


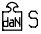
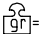
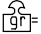


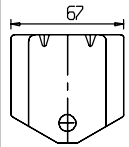
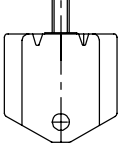
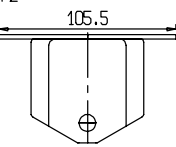
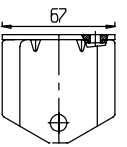
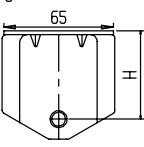
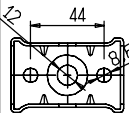
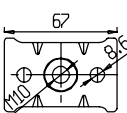

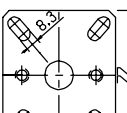
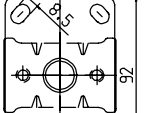
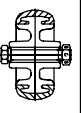
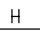
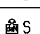
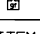
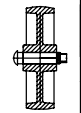

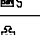

ITEM	65/30/SFP6	75-80/30/SFP6	100/30/SFP6	125/30/SFP6
H	51	63	74	87.5
S	-	-	-	-
S	265	291	315	335

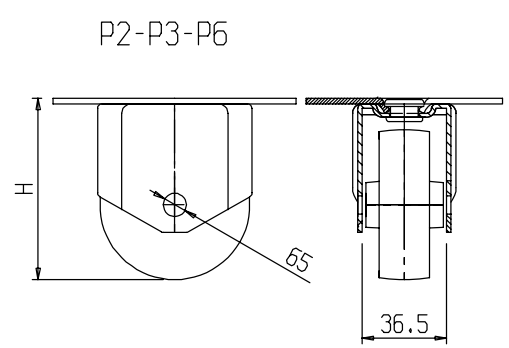
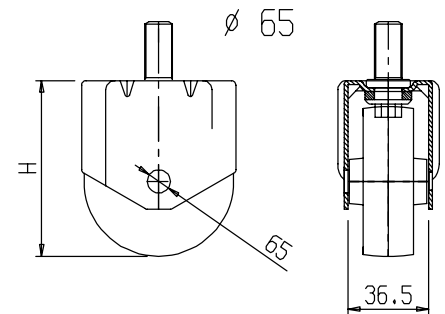
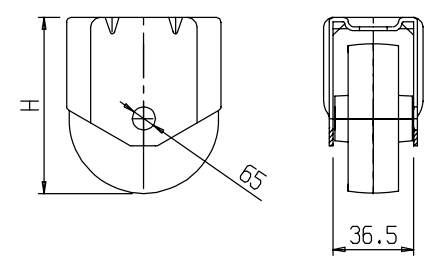


Compressivi Fissi Serie 60 - 65/30 nelle varie tipologie di fissaggi, ruote assemblate
 Fixed castors 60 - 65/30 Series in the different types of fixings, assembled wheels

Requisiti dei Compressivi assemblati alle varie Ruote
 Requirements of the castors assembled with the different wheels

Portata Dinamica conforme UNI EN 12527  D Portata Statica conforme UNI EN 12527  S  G = Peso per 1 pezzo  G = Weight for a piece

				P2 	P3 	P6 
						
60PU	ITEM	60/30/SFPU	60/30/SFFPU	60/30/SFP2PU	60/30/SFP3PU	60/30/SFP6PU
	H					
	 D					
	 S					
	 G					
65N	ITEM	65/30/SFN	65/30/SFFN	65/30/SFP2N	65/30/SFP3N	65/30/SFP6N
	H	83.5	83.5	83.5	83.5	83.5
	 D	-	-	-	-	-
	 S	-	-	-	-	-
	 G	206	242	393	369	373



Compressivi fissi serie 75/30 nelle varie tipologie di: Fissaggi, Ruote assemblati

Fixed castors of the 75/30 series with different types of fixings, assembled wheels

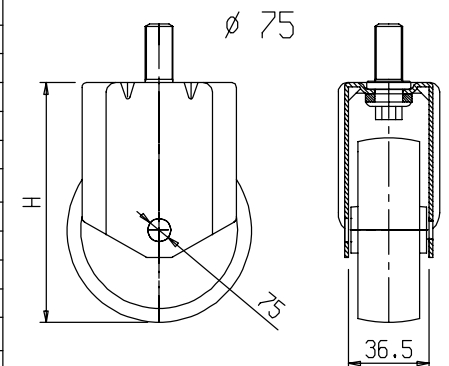
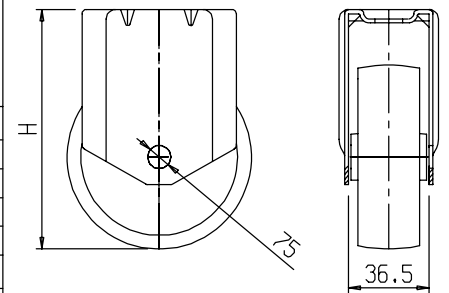
Requisiti dei Compressivi assemblati alle varie Ruote
Requirements of the castors assembled with the different wheels

Portata Dinamica conforme UNI EN 12527
Dynamic load capacity conform UNI EN 12527

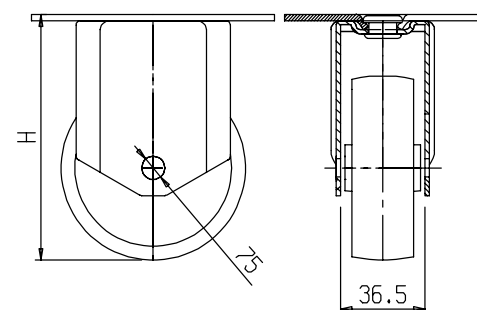
Portata Statica conforme UNI EN 12527
Static load capacity conform UNI EN 12527

= Peso per 1 pezzo = Weight for a piece

	ITEM	75/30/SFG	75/30/SFFG	75/30/SFP2G	75/30/SFP3G	75/30/SFP6G
	H	100.5	100.5	100.5	100.5	100.5
	$\varnothing D$	70	70	70	70	-
	$\varnothing S$	105	105	105	105	-
	\varnothing	292	328	479	455	459
	ITEM	75/30/SFGd	75/30/SFFGd	75/30/SFP2Gd	75/30/SFP3Gd	75/30/SFP6Gd
	H	100.5	100.5	100.5	100.5	100.5
	$\varnothing D$	70	70	70	70	-
	$\varnothing S$	105	105	105	105	-
	\varnothing	343	379	330	306	310
	ITEM	75/30/SFGc	75/30/SFFGc	75/30/SFP2Gc	75/30/SFP3Gc	75/30/SFP6Gc
	H	100.5	100.5	100.5	100.5	100.5
	$\varnothing D$	70	70	70	70	-
	$\varnothing S$	105	105	105	105	-
	\varnothing	380	416	567	543	547
	ITEM	75/30/SFPU	75/30/SFFPU	75/30/SFP2PU	75/30/SFP3PU	75/30/SFP6PU
	H	100.5	100.5	100.5	100.5	100.5
	$\varnothing D$	100	100	100	100	100
	$\varnothing S$	150	150	150	150	150
	\varnothing	-	-	-	-	-
	ITEM	75/30/SFGdA	75/30/SFFGdA	75/30/SFP2GdA	75/30/SFP3GdA	75/30/SFP6GdA
	H	100.5	100.5	100.5	100.5	100.5
	$\varnothing D$	-	-	-	-	-
	$\varnothing S$	-	-	-	-	-
	\varnothing	-	-	-	-	-
	ITEM	75/30/SFGcA	75/30/SFFGcA	75/30/SFP2GcA	75/30/SFP3GcA	75/30/SFP6GcA
	H	100.5	100.5	100.5	100.5	100.5
	$\varnothing D$	-	-	-	-	-
	$\varnothing S$	-	-	-	-	-
	\varnothing	-	-	-	-	-
	ITEM	75/30/SFN	75/30/SFFN	75/30/SFP2N	75/30/SFP3N	75/30/SFP6N
	H	100.5	100.5	100.5	100.5	100.5
	$\varnothing D$	-	-	-	-	-
	$\varnothing S$	-	-	-	-	-
	\varnothing	244	280	431	407	411



P2-P3-P6



Compressivi fissi serie 80/30 nelle varie tipologie di: Fissaggi, Ruote assemblati
 Fixed castors of the 80/30 series with different types of fixings, assembled wheels

Requisiti dei Compressivi assemblati alle varie Ruote

Requirements of the castors assembled with the different wheels

Portata Dinamica conforme UNI EN 12527



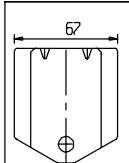
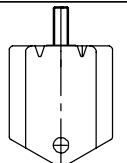
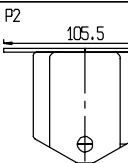
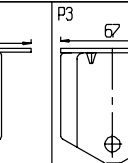
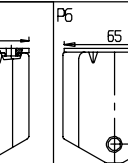
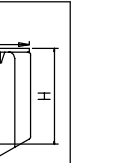





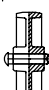
Portata Statica conforme UNI EN 12527

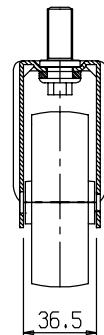
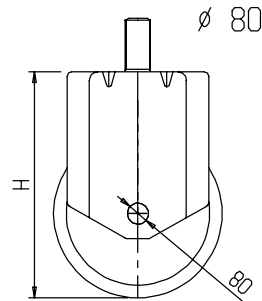
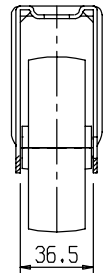
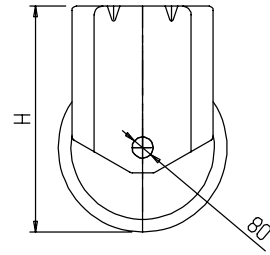


Peso per 1 pezzo Weight for a piece

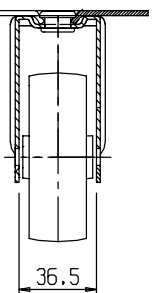
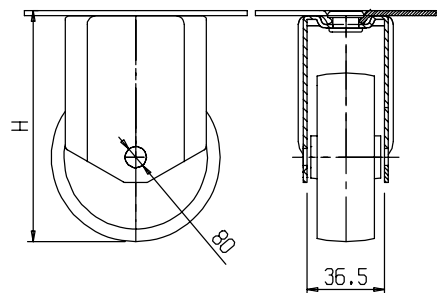
Dynamic load capacity conform UNI EN 12527

Static load capacity conform UNI EN 12527

							
		67	105.5	67	105.5	67	65
	ITEM	80/30/SFG	80/30/SFFG	80/30/SFP2G	80/30/SFP3G	80/30/SFP6G	
	H	103	103	103	103	103	
	∅D	80	80	80	80	-	
	∅S	120	120	120	120	-	
	∅	357	393	544	520	524	
	ITEM	80/30/SFGd	80/30/SFFGd	80/30/SFP2Gd	80/30/SFP3Gd	80/30/SFP6Gd	
	H	103	103	103	103	103	
	∅D	80	80	80	80	-	
	∅S	120	120	120	120	-	
	∅	408	444	595	571	575	
	ITEM	80/30/SFGc	80/30/SFFGc	80/30/SFP2Gc	80/30/SFP3Gc	80/30/SFP6Gc	
	H	103	103	103	103	103	
	∅D	80	80	80	80	-	
	∅S	120	120	120	120	-	
	∅	404	440	591	567	547	
	ITEM	80/30/SFGdA	80/30/SFFGdA	80/30/SFP2GdA	80/30/SFP3GdA	80/30/SFP6GdA	
	H	103	103	103	103	103	
	∅D	-	-	-	-	-	
	∅S	-	-	-	-	-	
	∅	-	-	-	-	-	
	ITEM	80/30/SFGcA	80/30/SFFGcA	80/30/SFP2GcA	80/30/SFP3GcA	80/30/SFP6GcA	
	H	103	103	103	103	103	
	∅D	-	-	-	-	-	
	∅S	-	-	-	-	-	
	∅	-	-	-	-	-	
	ITEM	80/30/SFN	80/30/SFFN	80/30/SFP2N	80/30/SFP3N	80/30/SFP6N	
	H	103	103	103	103	103	
	∅D	-	-	-	-	-	
	∅S	-	-	-	-	-	
	∅	256	292	443	419	423	



P2-P3-P6



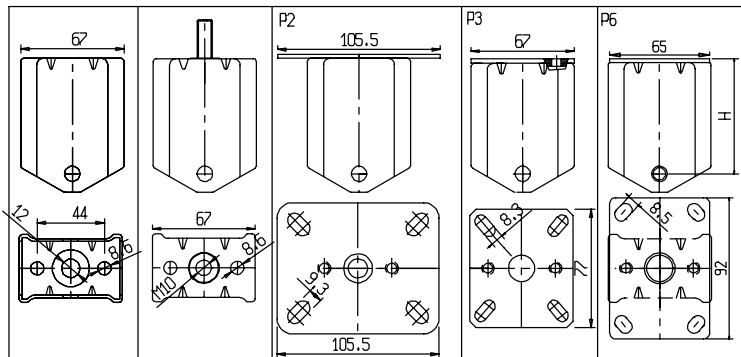
Compressivi fissi serie 100/30 nelle varie tipologie di: Fissaggi, Ruote assemblati Fixed castors of the 100/30 series with different types of fixings, assembled wheels

Requisiti dei Compressivi assemblati alle varie Ruote
Requirements of the castors assembled with the different wheels

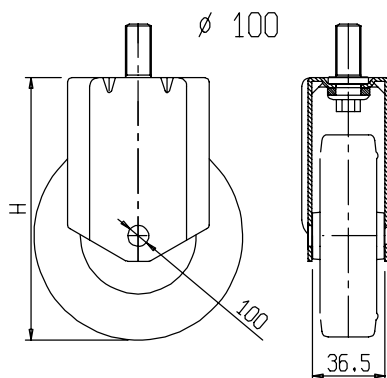
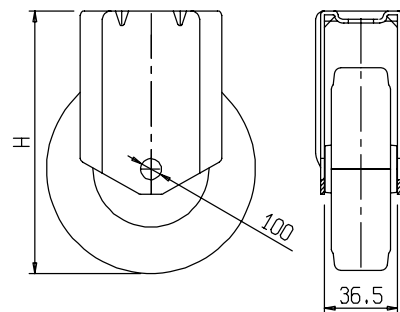
Portata Dinamica conforme UNI EN 12527
Dynamic load capacity conform UNI EN 12527

Portata Statica conforme UNI EN 12527
Static load capacity conform UNI EN 12527

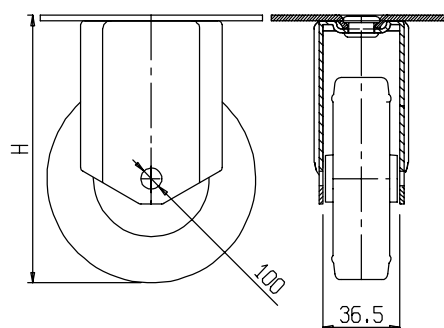
= Peso per 1 pezzo = Weight for a piece



	ITEM	100/30/SFG	100/30/SFFG	100/30/SFP2G	100/30/SFP3G	100/30/SFP6G
	H	124	124	124	124	124
	ϕ_D	80	80	80	80	-
	ϕ_s	120	120	120	120	-
	ϕ	436	472	612	559	563
	ITEM	100/30/SFGd	100/30/SFFGd	100/30/SFP2Gd	100/30/SFP3Gd	100/30/SFP6Gd
	H	124	124	124	124	124
	ϕ_D	80	80	80	80	-
	ϕ_s	120	120	120	120	-
	ϕ	507	543	683	630	634
	ITEM	100/30/SFGCC	100/30/SFFGCC	100/30/SFP2GCC	100/30/SFP3GCC	100/30/SFP6GCC
	H	124	124	124	124	124
	ϕ_D	100	100	100	100	-
	ϕ_s	150	150	150	150	-
	ϕ	492	528	668	615	619
	ITEM	100/30/SFGdA	100/30/SFFGdA	100/30/SFP2GdA	100/30/SFP3GdA	100/30/SFP6GdA
	H	124	124	124	124	124
	ϕ_D	-	-	-	-	-
	ϕ_s	-	-	-	-	-
	ϕ	501	537	677	624	628
	ITEM	100/30/SFGCCA	100/30/SFFGCCA	100/30/SFP2GCCA	100/30/SFP3GCCA	100/30/SFP6GCCA
	H	124	124	124	124	124
	ϕ_D	-	-	-	-	-
	ϕ_s	-	-	-	-	-
	ϕ	456	492	632	579	-
	ITEM	100/30/SFSR	100/30/SFFSR	100/30/SFP2SR	100/30/SFP3SR	100/30/SFP6SR
	H	124	124	124	124	124
	ϕ_D	80	80	80	80	-
	ϕ_s	120	120	120	120	-
	ϕ	327	363	503	450	454
	ITEM	100/30/SFN	100/30/SFFN	100/30/SFP2N	100/30/SFP3N	100/30/SFP6N
	H	124	124	124	124	124
	ϕ_D	60	60	60	60	60
	ϕ_s	90	90	90	90	90
	ϕ	307	343	483	430	434



P2-P3-P6



Compressivi fissi serie 125/30 nelle varie tipologie di: Fissaggi, Ruote assemblati
 Fixed castors of the 125/30 series with different types of fixings, assembled wheels

Requisiti dei Compressivi assemblati alle varie Ruote
 Requirements of the castors assembled with the different wheels

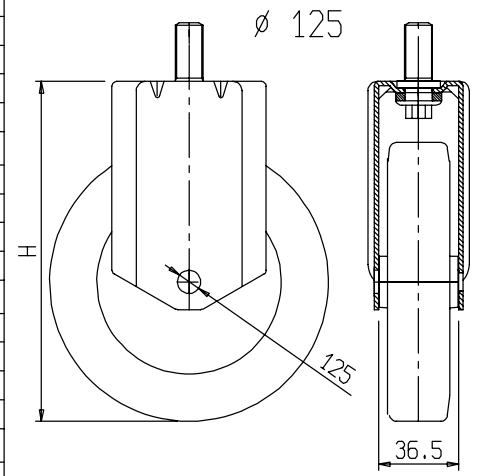
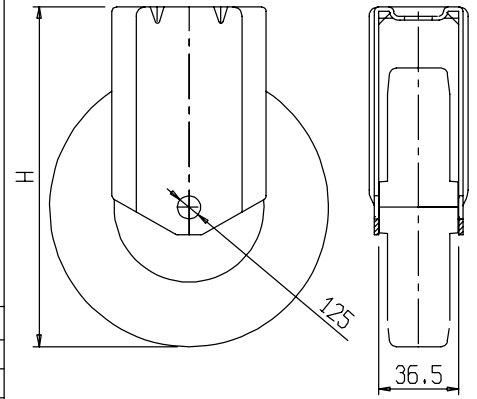
Portata Dinamica conforme UNI EN 12527
 Dynamic load capacity conform UNI EN 12527

Portata Statica conforme UNI EN 12527
 Static load capacity conform UNI EN 12527



GR = Peso per 1 pezzo GR = Weight for a piece

		P2	P3	P6		
125G	ITEM	125/30/SFG	125/30/SFFG	125/30/SFP2G	125/30/SFP3G	125/30/SFP6G
	H	150	150	150	150	150
	GR	90	90	90	90	-
	GR	135	135	135	135	-
	GR	561	597	737	684	688
125Gd	ITEM	125/30/SFGd	125/30/SFFGd	125/30/SFP2Gd	125/30/SFP3Gd	125/30/SFP6Gd
	H	150	150	150	150	150
	GR	90	90	90	90	-
	GR	135	135	135	135	-
	GR	602	638	778	725	729
125GCC	ITEM	125/30/SFGCC	125/30/SFFGCC	125/30/SFP2GCC	125/30/SFP3GCC	125/30/SFP6GCC
	H	150	150	150	150	150
	GR	90	90	90	90	-
	GR	135	135	135	135	-
	GR	613	649	789	736	740
125GdA	ITEM	125/30/SFGdA	125/30/SFFGdA	125/30/SFP2GdA	125/30/SFP3GdA	125/30/SFP6GdA
	H	150	150	150	150	150
	GR	-	-	-	-	-
	GR	-	-	-	-	-
	GR	602	638	778	725	729
125GCCA	ITEM	125/30/SFGCCA	125/30/SFFGCCA	125/30/SFP2GCCA	125/30/SFP3GCCA	125/30/SFP6GCCA
	H	150	150	150	150	150
	GR	-	-	-	-	-
	GR	-	-	-	-	-
	GR	548	584	724	671	675
125SR	ITEM	125/30/SFSR	125/30/SFFSR	125/30/SFP2SR	125/30/SFP3SR	125/30/SFP6SR
	H	150	150	150	150	150
	GR	90	90	90	90	90
	GR	135	135	135	135	135
	GR	352	388	528	475	479
125SRd	ITEM	125/30/SFSRd	125/30/SFFSRd	125/30/SFP2SRd	125/30/SFP3SRd	125/30/SFP6SRd
	H	150	150	150	150	150
	GR	90	90	90	90	90
	GR	135	135	135	135	135
	GR	393	329	569	516	520
125N	ITEM	125/30/SFN	125/30/SFFN	125/30/SFP2N	125/30/SFP3N	125/30/SFP6N
	H	150	150	150	150	150
	GR	50	50	50	50	50
	GR	75	75	75	75	75
	GR	329	365	505	452	456



P2-P3-P6

